

OUT 

HEBE

55-9238-34-M3

TECHNICAL CHARACTERISTICS

Type:	Beacon
IP Protection degrees:	IP54
Light source 1:	1 x E27 MAX 100W Maximum lamp length: 167.00 mm Maximum lamp diameter: 51.00 mm
Total power consumption (W):	100
Voltage / Frequency:	230V/50-60Hz
Warranty (Years):	2
Units per box:	4
Net Weight (Kg):	2.065
EAN:	8435111049389



MATERIALS / FINISHES

Structure material: Injected aluminium

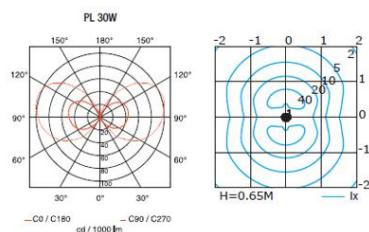
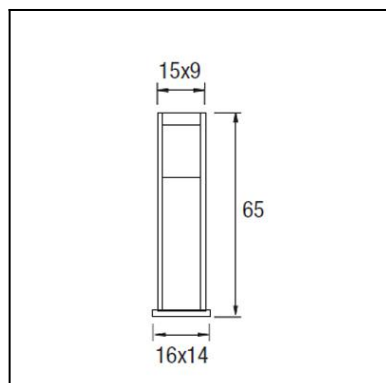
Diffuser material: Polycarbonate

Structure finish: Grey

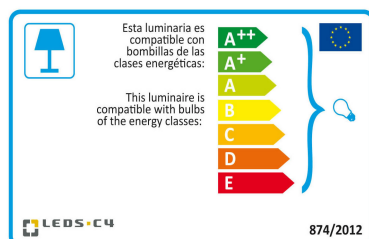
Diffuser finish: Matt



The photograph may not match the reference exactly. Please read the product description to identify the finish.



Download photometric file .ldt /.ies



Click on image to download energy label

LEDS-C4 reserves the right to make the necessary technical changes they deem adequate, in order to improve the features of the product.

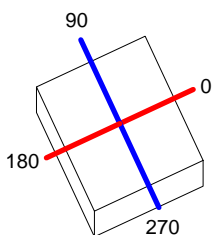
Please consult the sales team to clarify any doubt.

(+34) 973 468 100
leds-c4@leds-c4.com
www.leds-c4.com

Luminaire		Measur.		Lamp		
Code	55-9238-34-M3	Code	55-9238-34-M3	Code	DLX EL LL 15W827E27	
Name	Baliza HEBE 15W TC-DEL E27	Name	Baliza HEBE 15W TC-DEL E27	Number	1	
Line	Eulumdat	Date	21-11-2008	Position		
Efficiency	73.79%	Coordinate system	CG	Total Flux	900.00 lm	
Maximum value	92.94 cd	Position	C=105.00 G=105.00	Sym. on planes 0-180		
Rectangular Luminaire	Length	160 mm	Width	140 mm	Height	650 mm
Rectangular Luminous Area	Length	120 mm	Width	90 mm	Height	155 mm
Horizontal Luminous Area	0.010800 m2	Emitting area on Plane 180°	0.018600 m2			
Emitting area on Plane 0°	0.018600 m2	Emitting area on Plane 270°	0.013950 m2			
Emitting area on Plane 90°	0.013950 m2	Glare area at 76°	0.020660 m2			
Symmetry Type	Sym. on planes 0-180	Maximum Gamma Angle	180			
Measurement Distance	0.00	Measurement Flux	900.00 lm			
Operator	OxyTech	Source voltage				
Temperature	25.00 °C	Source current				
Humidity	60.00 %	Photocell				
Notes						

Luminaire Lamps					
Line	Code	Name	Flux [lm]	Pow. [W]	Q.ty
Eulumdat	DLX EL LL 15W827E27	DLX EL LL 15W827E27 - 15.00 W	900.00	15.00	1
C.I.E.	7 29 62 44 74	D DIN 5040	C12		
F UTE	--	B NBN	BZ 10		

160mm x 140mm



C Halfplanes

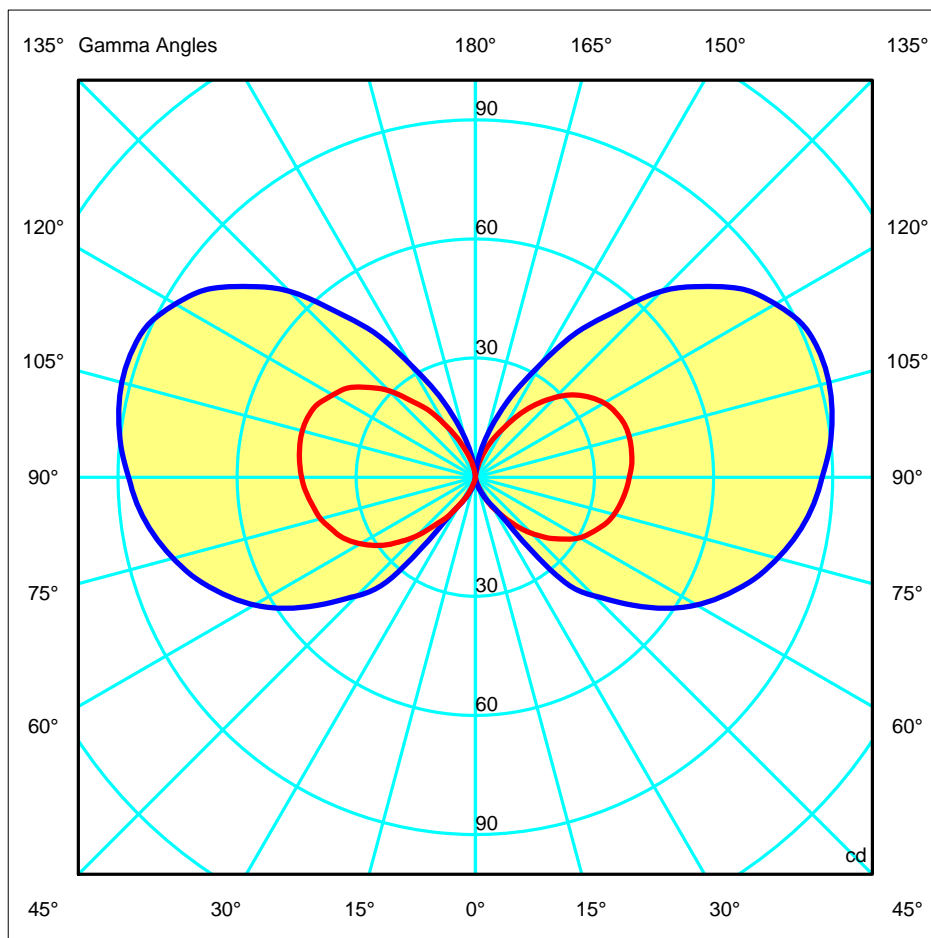
180.0 — 0.0

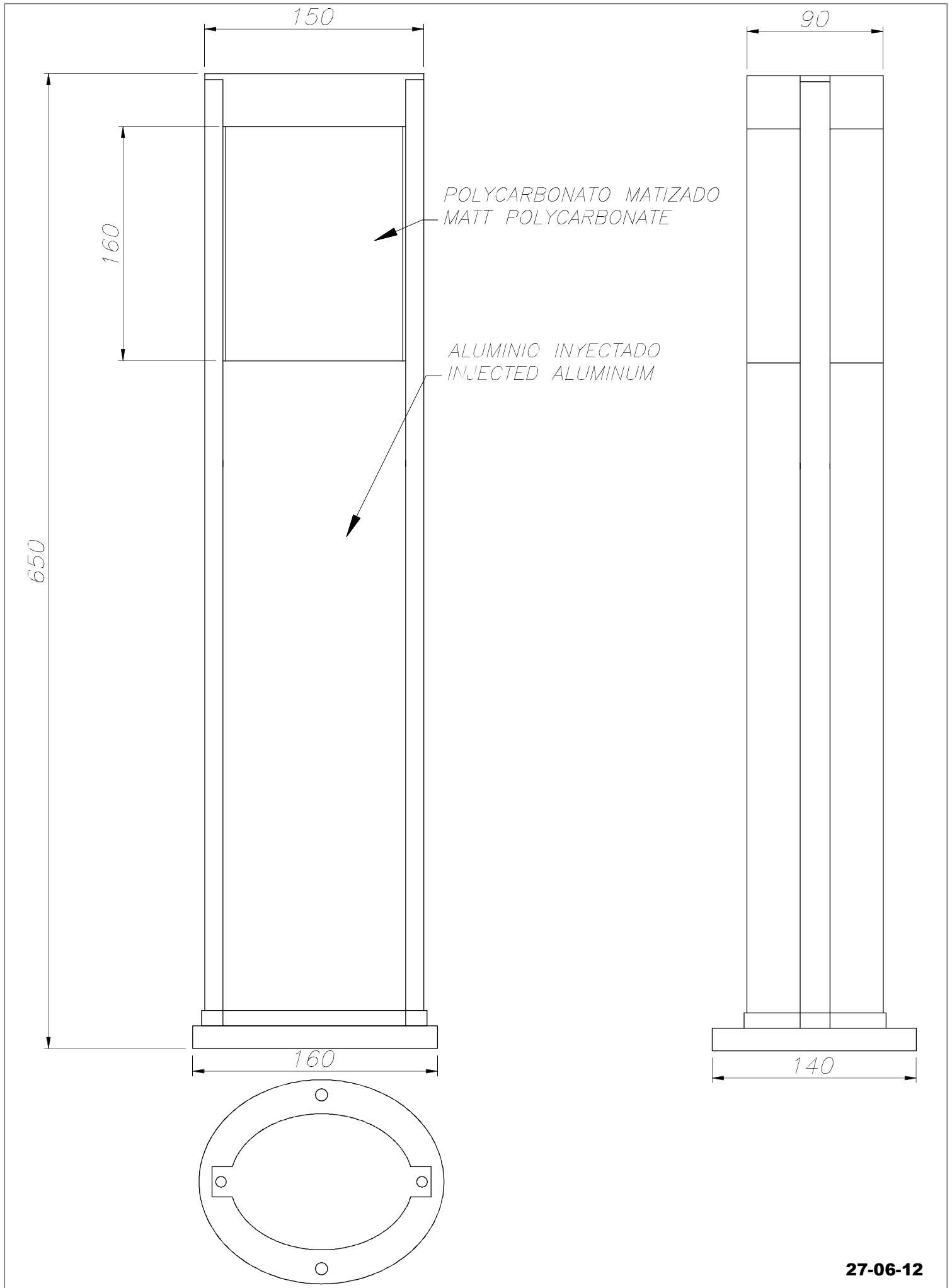
270.0 — 90.0

ULOR 41.41 %

DLOR 32.39 %

RN 56.11 %







LED S-C4

OUTDOOR

