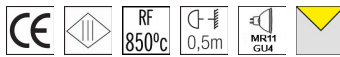
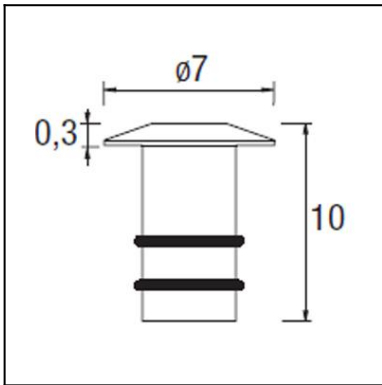




**TECHNICAL CHARACTERISTICS**

Type:	UPLIGHT RECESSED
IP Protection degrees:	IP67
IK Protection degrees:	IK08
Recessed in-ground suitable for pedestrian crossing:	Si
Light source 1:	1 x GU4 max. 20W
Total power consumption (W):	20
Voltage / Frequency:	12VAC
Warranty (Years):	2
Units per box:	20
Net Weight (Kg):	0.415
EAN:	8435111049488

The photograph may not match the reference exactly. Please read the product description to identify the finish.

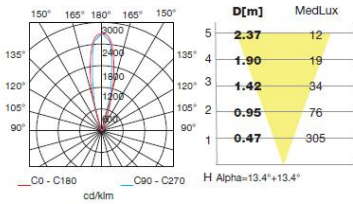


**MATERIALS / FINISHES**

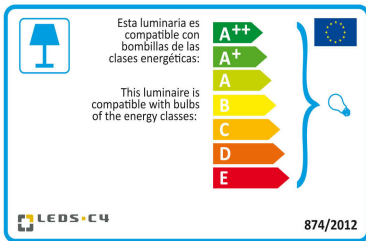
<b>Structure material:</b>	Aluminium	<b>Diffuser material:</b>	Glass
<b>Structure finish:</b>	Anodized	<b>Diffuser finish:</b>	Tempered

**GEAR**

Necessary equipment not included. For more information check website / catalogs / sales organization.

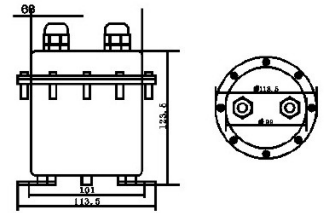


Download photometric file .ldt / .ies



Click on image to download energy label

71-9197-05-05

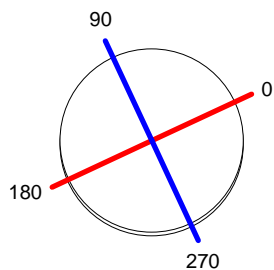


IP68 (1m)

<b>Luminaire</b>		<b>Measur.</b>		<b>Lamp</b>	
Code	55-9255-54-37	Code	55-9255-54-37	Code	55-9255-54-37
Name	Uplight 1xMAX 20W GU4	Name	Uplight 1xMAX 20W GU4	Number	1
Line	Eulumdat	Date	22-11-2008	Position	
Efficiency	66.96%	Coordinate system	CG	Total Flux	183.00 lm
Maximum value	491.34 cd	Position	C=0.00 G=0.00	Double Symmetrical	
Round Luminaire	Diam.	50 mm	Height	2 mm	
Round Luminous Area	Diam.	33 mm	Height	1 mm	
Horizontal Luminous Area	0.000855 m2	Emitting area on Plane 180°	0.000033 m2		
Emitting area on Plane 0°	0.000033 m2	Emitting area on Plane 270°	0.000033 m2		
Emitting area on Plane 90°	0.000033 m2	Glare area at 76°	0.000239 m2		
Symmetry Type	Double Symmetrical	Maximum Gamma Angle	90		
Measurement Distance	0.00	Measurement Flux	183.00 lm		
Operator	OxyTech	Source voltage			
Temperature	25.00 °C	Source current			
Humidity	60.00 %	Photocell			
Notes					

Luminaire Lamps						
Line	Code	Name	Flux [lm]	Pow. [W]	Q.ty	
Eulumdat	55-9255-54-37	55-9255-54-37 - 20.00 W	183.00	20.00	1	
C.I.E.	91 98 100 100 67	D DIN 5040				
F UTE	0.67 A	B NBN				
		A60				
		BZ 1				

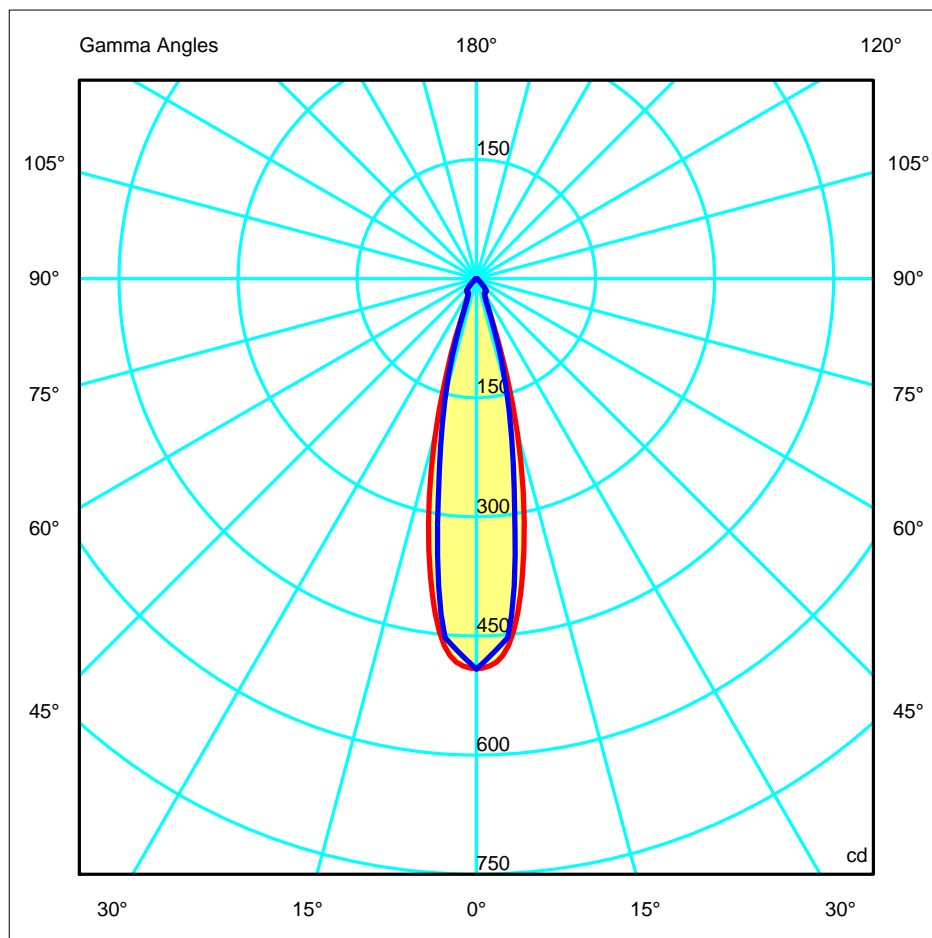
Diam=50mm

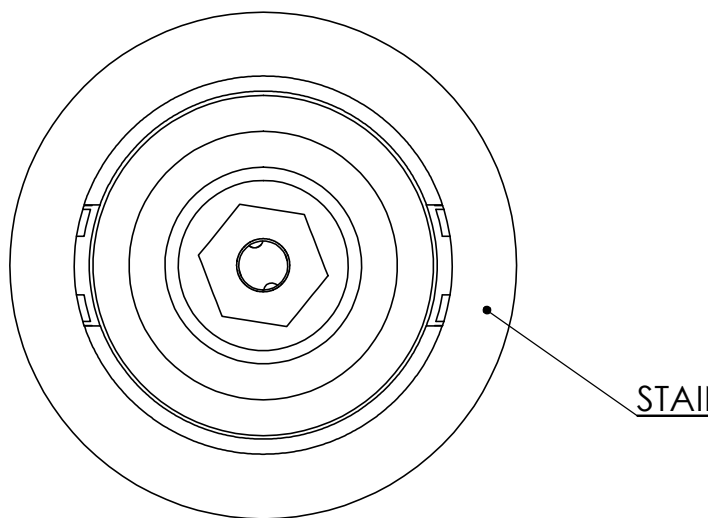
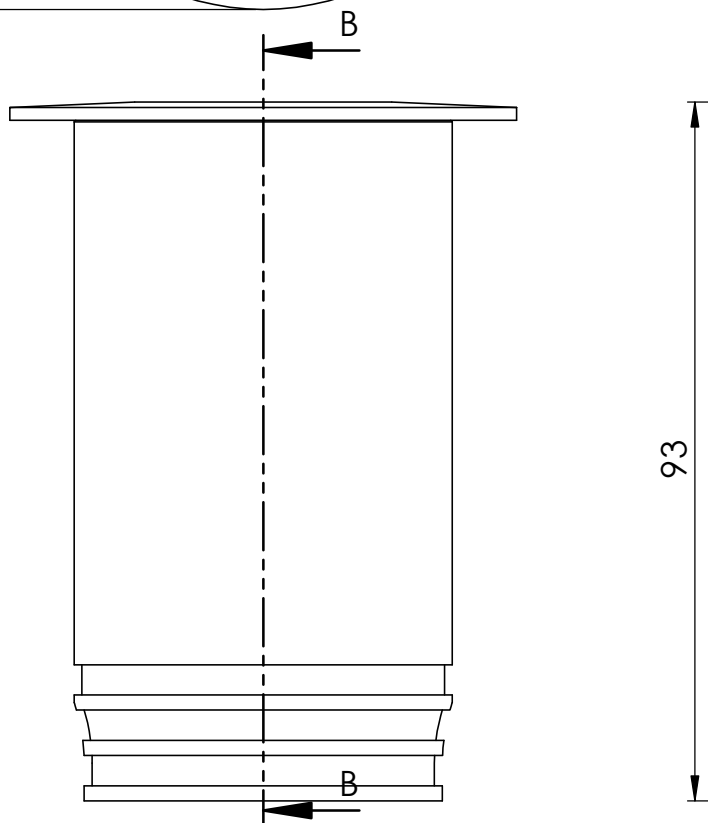
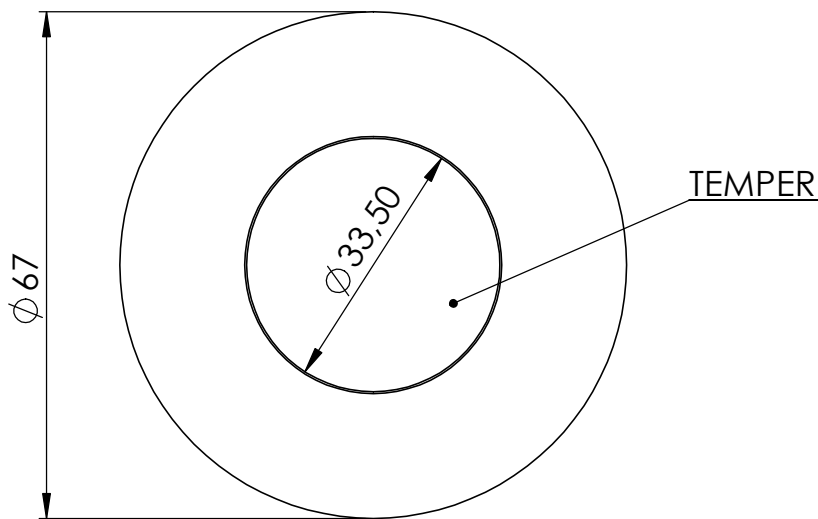
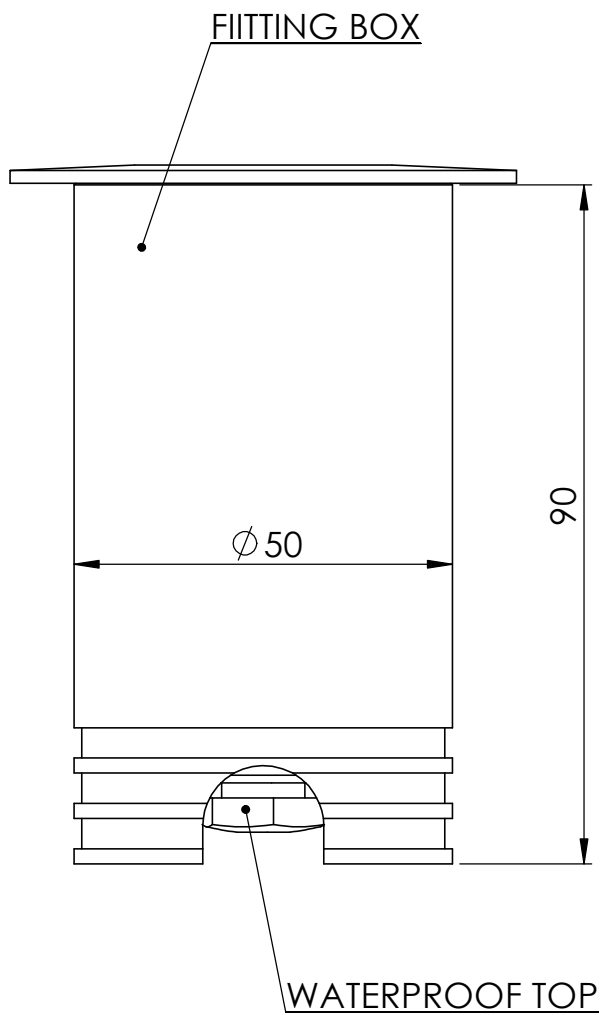


C Halfplanes

180.0 — 0.0  
270.0 — 90.0

ULOR 0.00 %  
DLOR 66.96 %  
RN 0.00 %



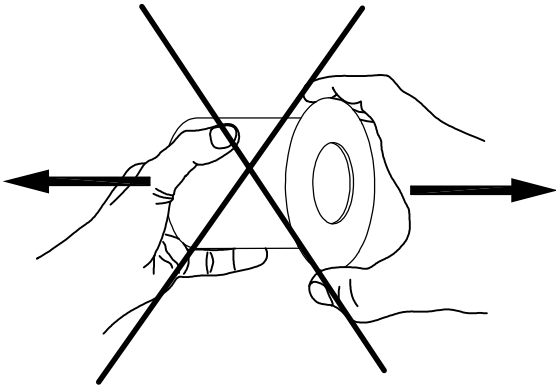


© Leds C-4. All rights reserved. Copying and / or reproduction prohibited without written authorization of LEDS-C4

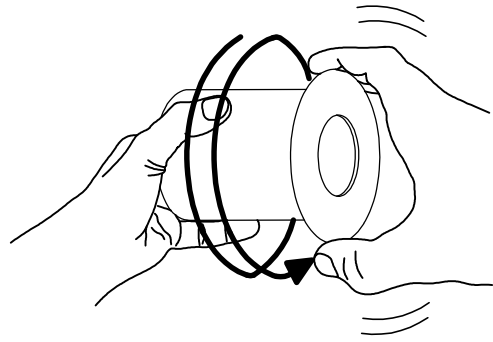
© Leds C-4. Todos los derechos reservados. Se

	Fecha	Nombre	CRITERIOS DE CONTROL		Tolerancias generales TOL-GRAL	Proyecto:
			Dibujado	15-7-11		J.PARES
Comprob.	COMPRDATA	J.PARES	Inspección Visual	INSP-VIS		Localización: LOCALIZACIÓN

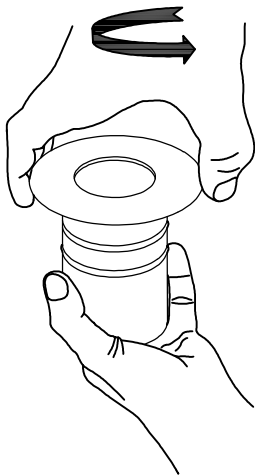
①



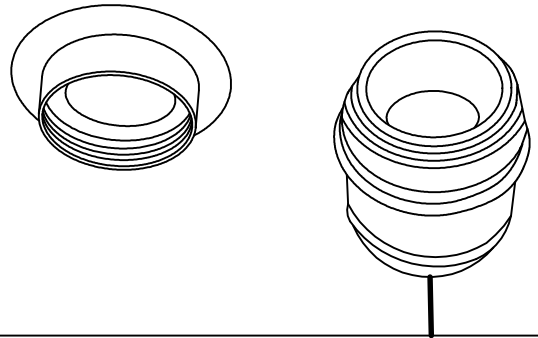
②



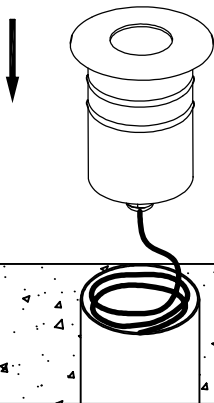
③



④



⑤



⑥

