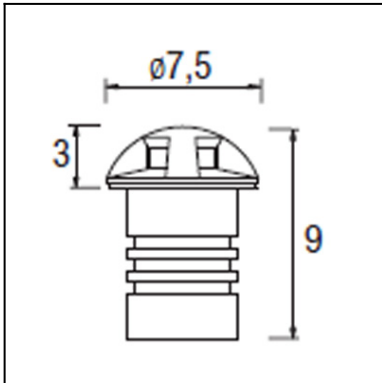




The photograph may not match the reference exactly. Please read the product description to identify the finish.



TECHNICAL CHARACTERISTICS

Type:	UPLIGHT RECESSED
IP Protection degrees:	IP67
IK Protection degrees:	IK10
Light source 1:	1 x LED 1W Neutral white - 4000K 80 lm ^(N)
Voltage / Frequency:	max. 350mA
Warranty (Years):	2
Option to extend the guarantee (Years):	5
Units per box:	8
Net Weight (Kg):	0.42
EAN:	8435111049501

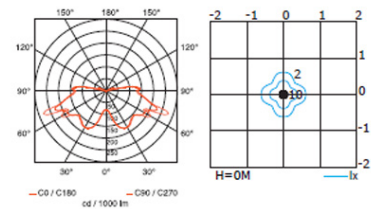


MATERIALS / FINISHES

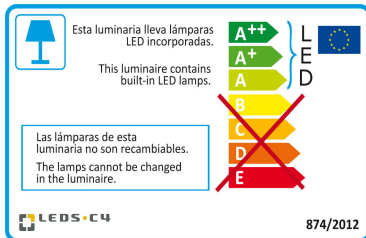
Structure material:	Anodized aluminium	Diffuser material:	Polycarbonate
Structure finish:	Anodized	Diffuser finish:	Transparent

GEAR

Necessary equipment not included. For more information check website / catalogs / sales organization.



Download photometric file .ldt / .ies



Click on image to download energy label

Lm^(N): Nominal flow of light in actual working conditions. Its actual flow will depend on the environmental conditions and the efficiency of the optics and/or diffuser.

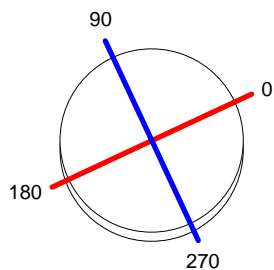
LEDS-C4 reserves the right to make the necessary technical changes they deem adequate, in order to improve the features of the product.

Please consult the sales team to clarify any doubt.

Luminaire		Measur.		Lamp	
Code	55-9257-54-M2	Code	55-9257-54-M2	Code	55-9257-54-M2
Name	Uplight 1W (LED) 3V DC 300 mA	Name	Uplight 1W (LED) 3V DC 300 mA	Number	1
Line	Eulumdat	Date	22-11-2008	Position	
Efficiency	16.99%	Coordinate system	CG	Total Flux	41.00 lm
Maximum value	2.00 cd	Position	C=75.00 G=70.00	Double Symmetrical	
Round Luminaire	Diam.	75 mm	Height	30 mm	
Round Luminous Area	Diam.	35 mm	Height	10 mm	
Horizontal Luminous Area	0.000962 m2		Emitting area on Plane 180°	0.000350 m2	
Emitting area on Plane 0°	0.000350 m2		Emitting area on Plane 270°	0.000350 m2	
Emitting area on Plane 90°	0.000350 m2		Glare area at 76°	0.000572 m2	
Symmetry Type	Double Symmetrical		Maximum Gamma Angle	180	
Measurement Distance	0.00		Measurement Flux	41.00 lm	
Operator	ASSELUM		Source voltage		
Temperature	25.00 °C		Source current		
Humidity	60.00 %		Photocell		
Notes					

Luminaire Lamps					
Line	Code	Name	Flux [lm]	Pow. [W]	Q.ty
Eulumdat	55-9257-54-M2	55-9257-54-M2 - 1.00 W	41.00	1.00	1
C.I.E.	26 51 80 86 17	D DIN 5040	B11		
F UTE	0.15 J + 0.02 T	B NBN	BZ 8 / 2 / BZ 7		

Diam=75mm



C Halfplanes

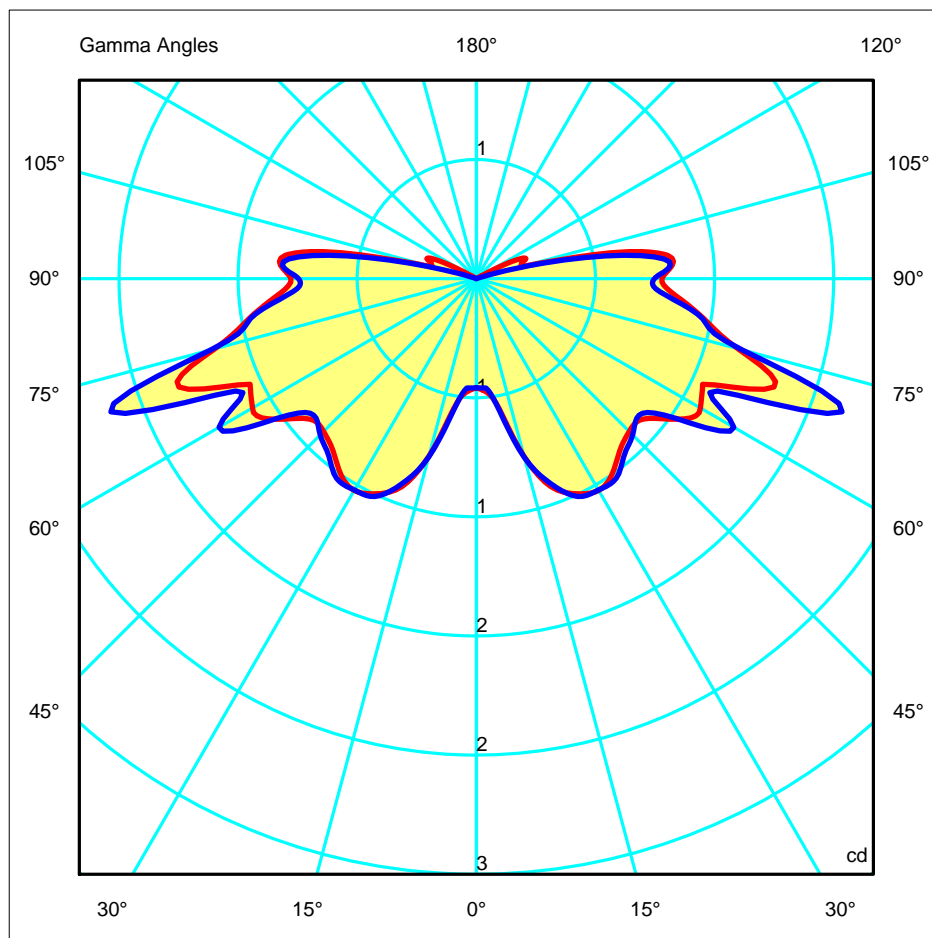
180.0 — 0.0 (Red line)

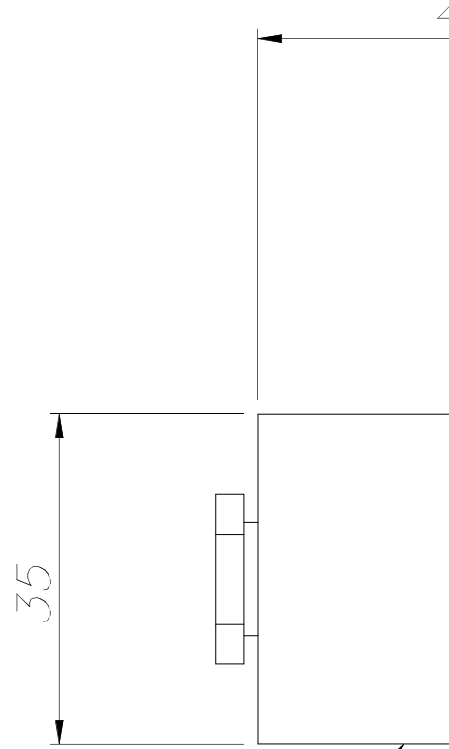
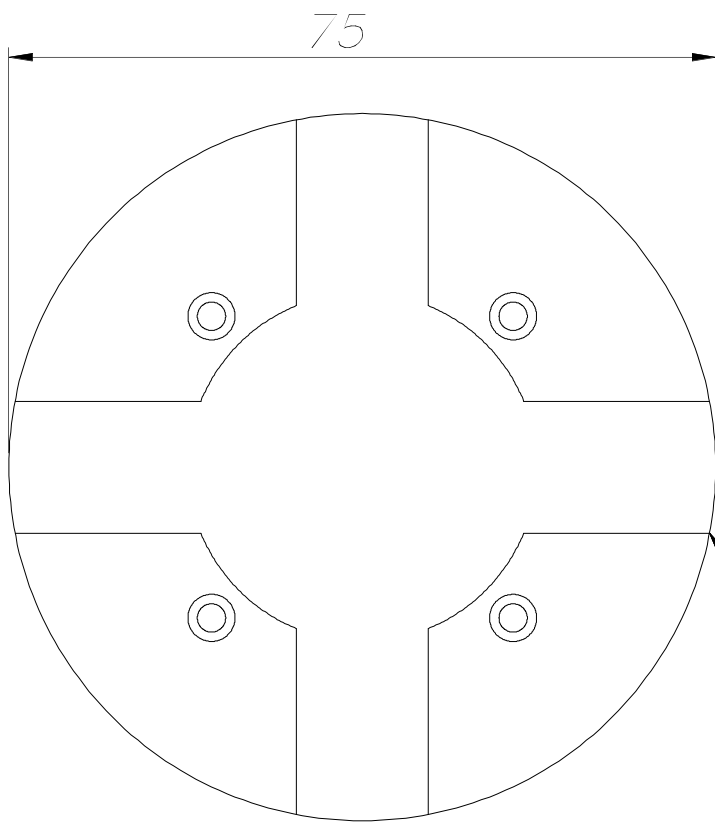
270.0 — 90.0 (Blue line)

ULOR 2.39 %

DLOR 14.60 %

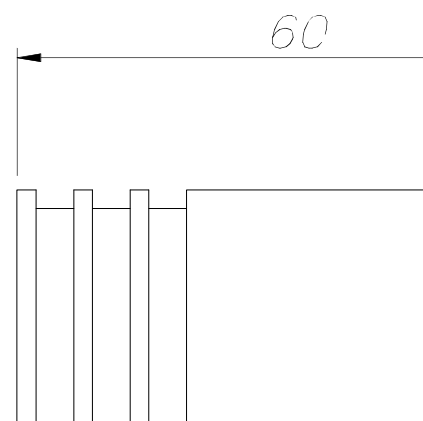
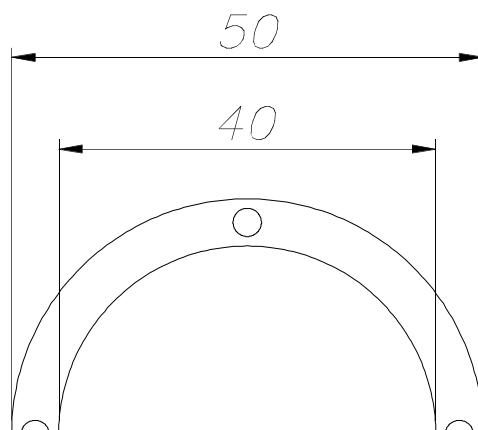
RN 14.09 %





ALUMINIO ANODIZADO
ANODIZED ALUMINIUM

POLICARBONATO TRANSLUCENTE
TRANSLUCENT POLYCARBONATE





LED S G4

OUTDOOR

55-9257

