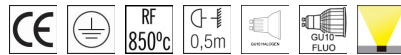
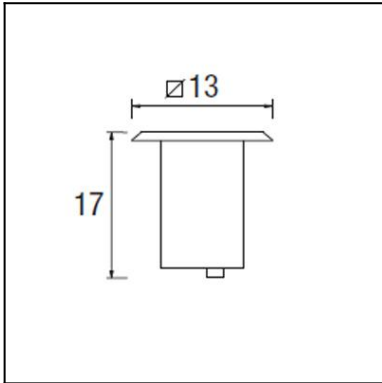




**TECHNICAL CHARACTERISTICS**

Type:	UPLIGHT RECESSED
IP Protection degrees:	IP67
IK Protection degrees:	IK10
Light source 1:	1 x GU10 MAX 50W Maximum lamp length: 80.00 mm
Voltage / Frequency:	230V/50-60Hz
Warranty (Years):	2
Units per box:	8
Net Weight (Kg):	0.715
EAN:	8435111053539

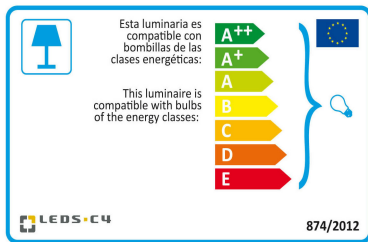
The photograph may not match the reference exactly. Please read the product description to identify the finish.



**MATERIALS / FINISHES**

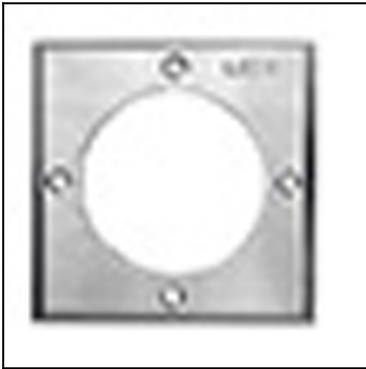
<b>Structure material:</b>	Stainless steel AISI304 Technopolymer	<b>Diffuser material:</b>	Glass
<b>Structure finish:</b>	Polished	<b>Diffuser finish:</b>	Tempered

[Download photometric file .ldt /.ies](#)



[Click on image to download energy label](#)

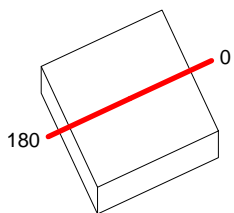
71-9449-CA-CA

**Structure material:** Stainless steel AISI316**Structure finish:** Polished

<b>Luminaire</b>		<b>Measur.</b>		<b>Lamp</b>		
Code	55-9281	Code	74_03_03	Code	GU10 35W	
Name	GEA	Name	GEA	Number	1	
Line	Eulumdat	Date	29-04-1994	Position		
Efficiency	100.00%	Coordinate system	CG	Total Flux	230.00 lm	
Maximum value	526.70 cd	Position	C=0.00 G=1.00	Rotosymmetrical		
Rectangular Luminaire	Length	130 mm	Width	130 mm	Height	170 mm
Rectangular Luminous Area	Length	100 mm	Width	100 mm	Height	0 mm
Horizontal Luminous Area	0.010000 m2	Emitting area on Plane 180°		0.000000 m2		
Emitting area on Plane 0°	0.000000 m2	Emitting area on Plane 270°		0.000000 m2		
Emitting area on Plane 90°	0.000000 m2	Glare area at 76°		0.002419 m2		
Symmetry Type	Rotosymmetrical	Maximum Gamma Angle		180		
Measurement Distance	0.00	Measurement Flux		230.10 lm		
Operator		Source voltage				
Temperature	25.00 °C	Source current				
Humidity	60.00 %	Photocell				
Notes						

Luminaire Lamps						
Line	Code	Name	Flux [lm]	Pow. [W]	Q.ty	
Eulumdat	GU10 35W	GU10 35W - 50.00 W	230.00	50.00	1	
C.I.E.	82 94 97 100 100	D DIN 5040				
F UTE	1.00 B	B NBN				
		A60				
		BZ 1				

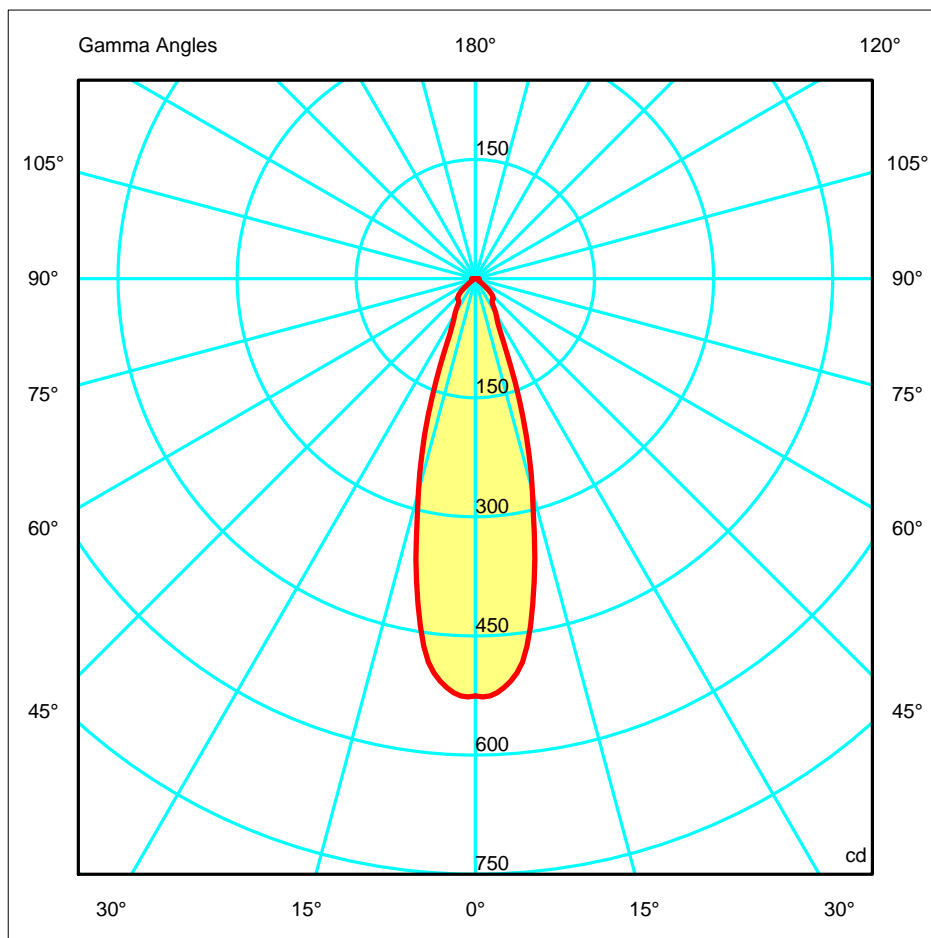
130mm x 130mm

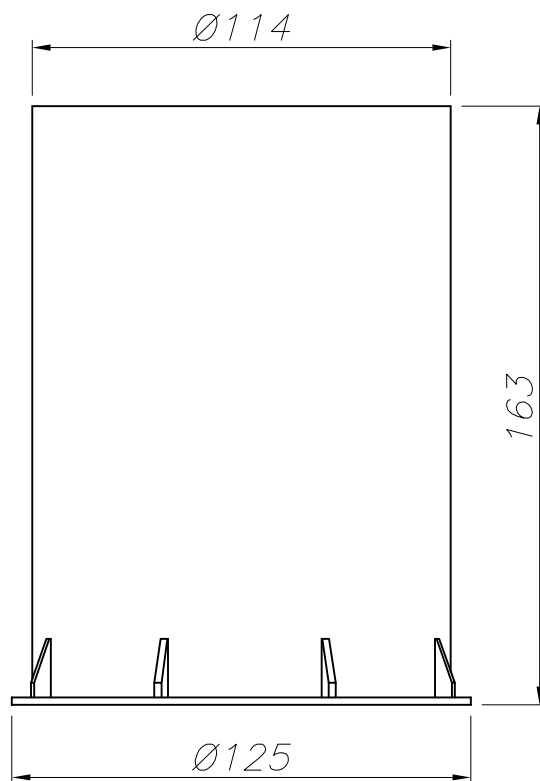
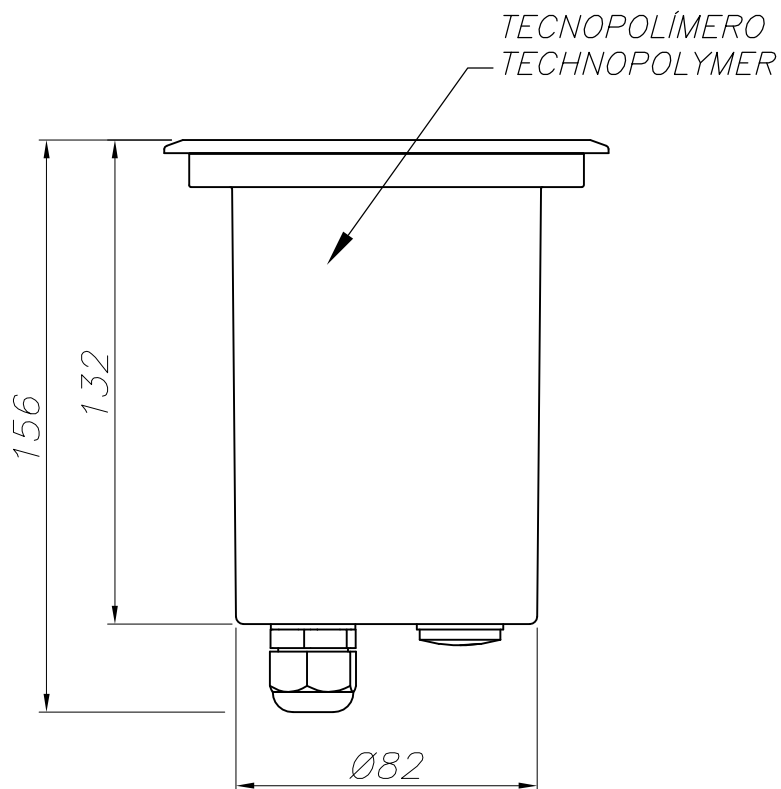


C Halfplanes

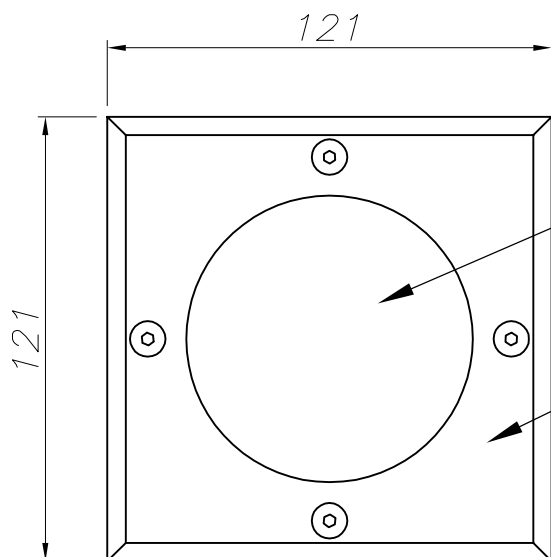
180.0 ——— 0.0

ULOR      0.11 %  
DLOR      99.88 %  
RN         0.11 %





CAJA DE EMPOTRAR  
FLUSH FITTING BOX



CRISTAL TEMPLADO TRANSPARENTE  
TRANSPARENT TEMPERED GLASS

ACERO INOXIDABLE AISI 304  
STAINLESS STEEL AISI 304

