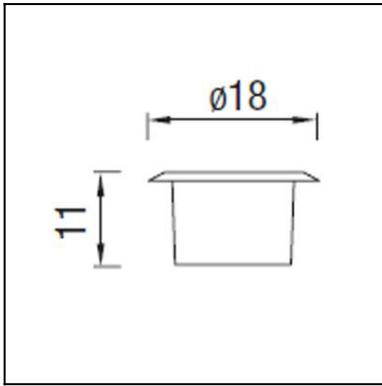




The photograph may not match the reference exactly. Please read the product description to identify the finish.



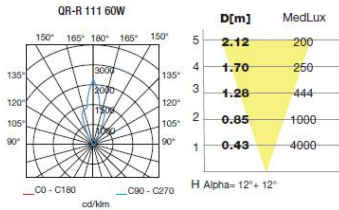
TECHNICAL CHARACTERISTICS

Type:	UPLIGHT RECESSED
IP Protection degrees:	IP67
IK Protection degrees:	IK10
Light source 1:	1 x G53 MAX 75W
Voltage / Frequency:	12VAC
Warranty (Years):	2
Units per box:	8
Net Weight (Kg):	1.38
EAN:	8435111059289



MATERIALS / FINISHES

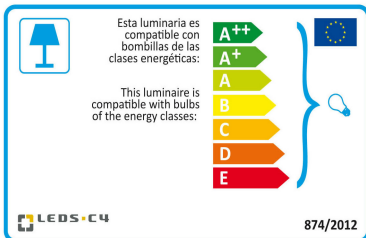
Structure material:	Stainless steel AISI304 Technopolymer	Diffuser material:	Glass
Structure finish:	Polished	Diffuser finish:	Tempered



GEAR

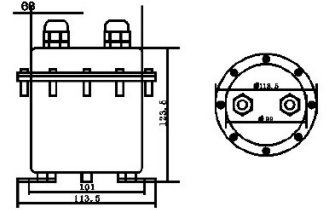
Necessary equipment not included. For more information check website / catalogs / sales organization.

Download photometric file .ldt / .ies



Click on image to download energy label

71-9197-05-05



IP68 (1m)

71-9452-CA-CA



Structure material: Stainless steel AISI316

Structure finish: Polished

71-9639-CA-CA



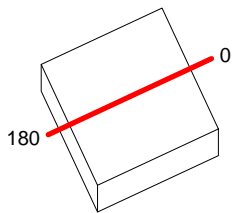
Structure material: Stainless steel AISI316

Structure finish: Polished

Luminaire		Measur.		Lamp		
Code	55-9337-Y4	Code	7/67_04	Code	QR-LP 111 60W 8D	
Name	GEA	Name	GEA	Number	1	
Line	Eulumdat	Date	29-04-1994	Position		
Efficiency	100.00%	Coordinate system	CG	Total Flux	978.00 lm	
Maximum value	6025.54 cd	Position	C=0.00 G=0.00	Rotosymmetrical		
Rectangular Luminaire	Length	180 mm	Width	180 mm	Height	110 mm
Rectangular Luminous Area	Length	100 mm	Width	100 mm	Height	0 mm
Horizontal Luminous Area	0.010000 m2	Emitting area on Plane 180°		0.000000 m2		
Emitting area on Plane 0°	0.000000 m2	Emitting area on Plane 270°		0.000000 m2		
Emitting area on Plane 90°	0.000000 m2	Glare area at 76°		0.002419 m2		
Symmetry Type	Rotosymmetrical	Maximum Gamma Angle		180		
Measurement Distance	0.00	Measurement Flux		979.05 lm		
Operator		Source voltage				
Temperature	25.00 °C	Source current				
Humidity	60.00 %	Photocell				
Notes						

Luminaire Lamps						
Line	Code	Name	Flux [lm]	Pow. [W]	Q.ty	
Eulumdat	QR-LP 111 60W 8D	QR-LP 111 60W 8D - 35.00 W	978.00	35.00	1	
C.I.E.	77 91 99 100 100	D DIN 5040				
F UTE	1.00 B	B NBN				
		A60				
		BZ 1				

180mm x 180mm



C Halfplanes

180.0 — 0.0

ULOR 0.02 %
DLOR 99.98 %
RN 0.02 %

