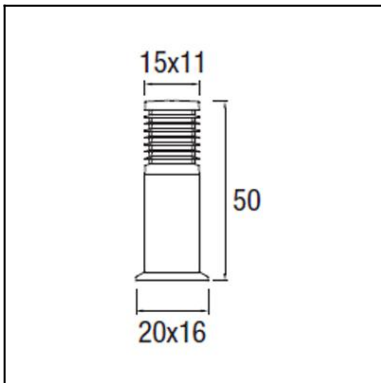




TECHNICAL CHARACTERISTICS

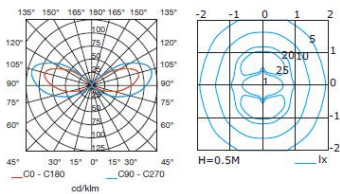
Type:	Beacon
IP Protection degrees:	IP44
IK Protection degrees:	IK08
Light source 1:	1 x E27 MAX 30W Maximum lamp length: 190.00 mm
Total power consumption (W):	30
Voltage / Frequency:	230V/50-60Hz
Warranty (Years):	2
Units per box:	4
Net Weight (Kg):	2.71
EAN:	8435111069615

The photograph may not match the reference exactly. Please read the product description to identify the finish.

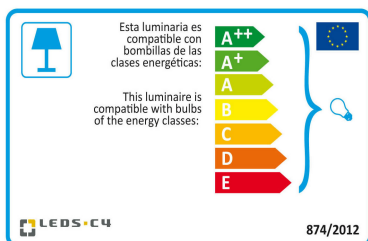


MATERIALS / FINISHES

Structure material:	High purity aluminium	Diffuser material:	Methacrylate
Structure finish:	Grey	Diffuser finish:	Matt



Download photometric file .ldt /.ies

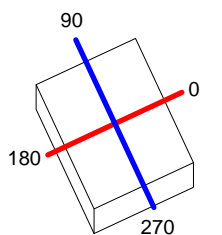


Click on image to download energy label

Luminaire		Measur.		Lamp		
Code	55-9358-34-M3	Code	55-9357	Code	PLEC23	
Name	Baliz NOTT 1x23W	Name	Baliz NOTT 1x23W	Number	1	
Line	Eulumdat	Date	27-12-2010	Position		
Efficiency	40.67%	Coordinate system	CG	Total Flux	1500.00 lm	
Maximum value	120.63 cd	Position	C=75.00 G=105.00	Double Symmetrical		
Rectangular Luminaire	Length	200 mm	Width	160 mm	Height	500 mm
Rectangular Luminous Area	Length	170 mm	Width	110 mm	Height	170 mm
Horizontal Luminous Area	0.018700 m2	Emitting area on Plane 180°		0.028900 m2		
Emitting area on Plane 0°	0.028900 m2	Emitting area on Plane 270°		0.018700 m2		
Emitting area on Plane 90°	0.018700 m2	Glare area at 76°		0.032565 m2		
Symmetry Type	Double Symmetrical	Maximum Gamma Angle		180		
Measurement Distance	0.00	Measurement Flux		1500.00 lm		
Operator	Asselum	Source voltage				
Temperature	25.00 °C	Source current				
Humidity	60.00 %	Photocell				
Notes						

Luminaire Lamps					
Line	Code	Name	Flux [lm]	Pow. [W]	Q.ty
Eulumdat	PLEC23	PLEC23 - 23.00 W	1500.00	23.00	1
C.I.E.	3 12 45 36 41	D DIN 5040		D12	
F UTE	--	B NBN		BZ 10	

200mm x 160mm



C Halfplanes

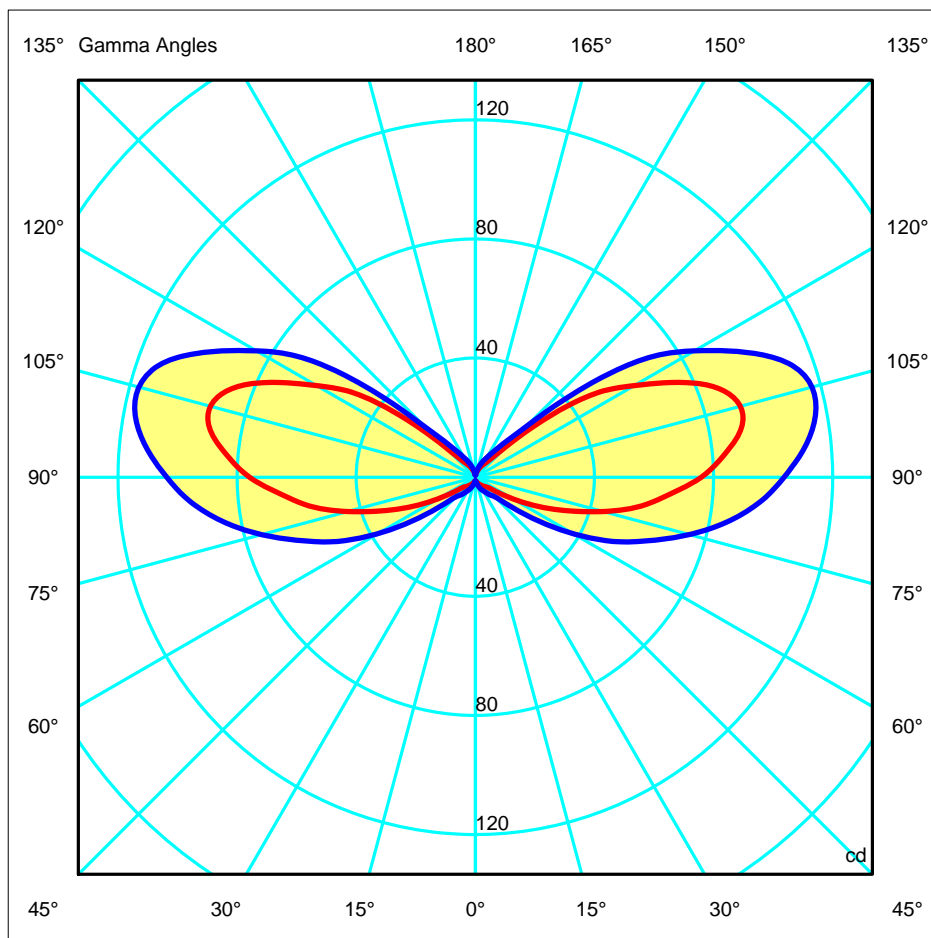
180.0 — 0.0

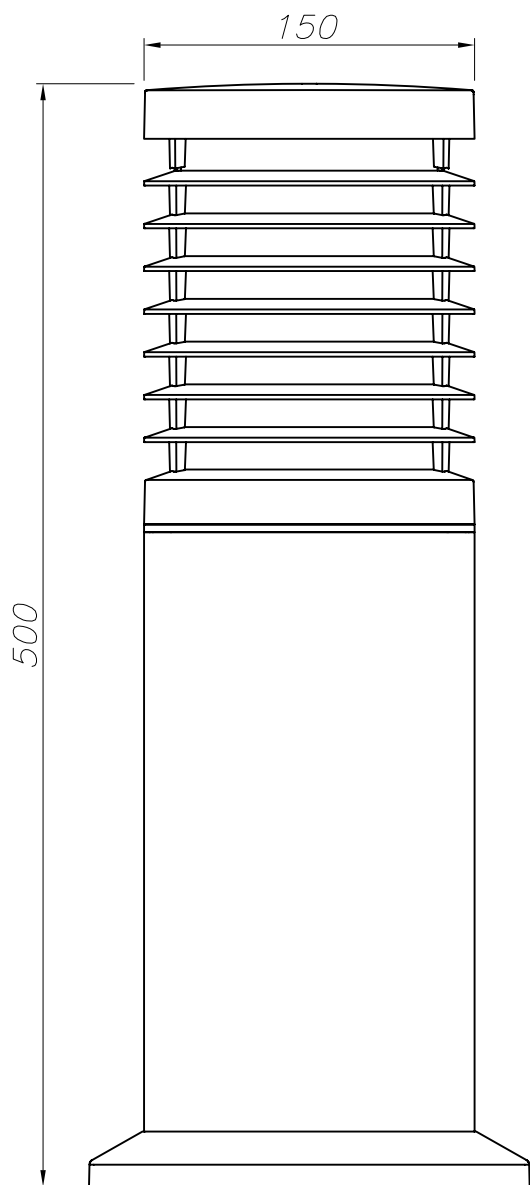
270.0 — 90.0

ULOR 25.86 %

DLOR 14.81 %

RN 63.59 %



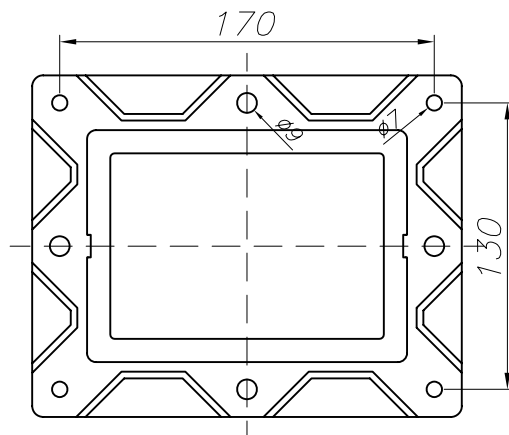
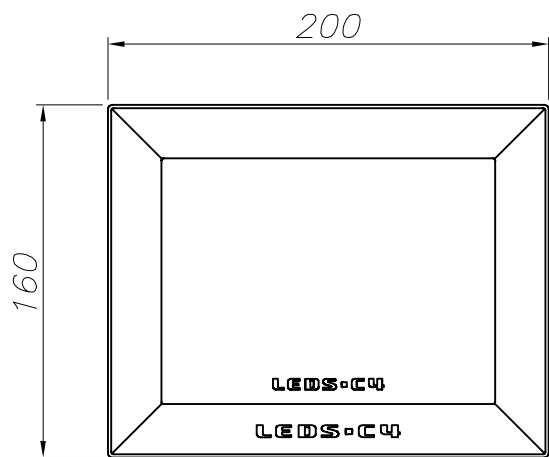
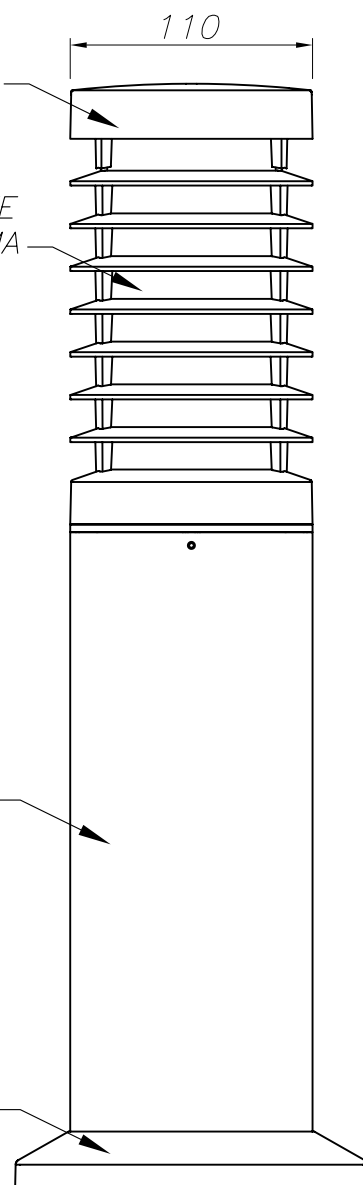


ALUMINIO INYECTADO
INJECTED ALUMINUM

METACRILATO MATE
MATT PMMA

ALUMINIO EXTRUSIONADO
EXTRUDED ALUMINUM

ALUMINIO INYECTADO
INJECTED ALUMINUM



PLANTILLA DE INSTALACIÓN
INSTALLATION TEMPLATE

