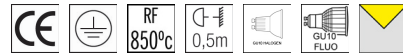
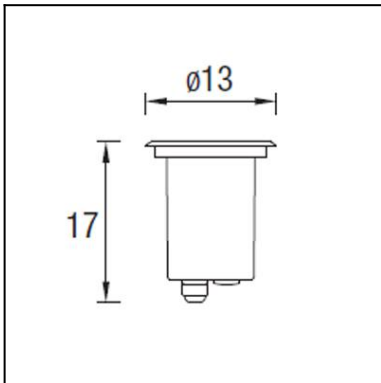




**TECHNICAL CHARACTERISTICS**

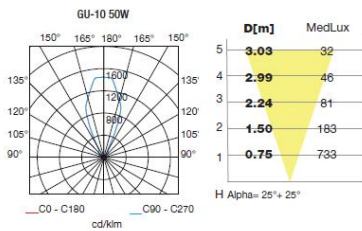
Type:	UPLIGHT RECESSED
Adjustable:	Adjustable $\pm 15^\circ$ on the vertical axis
IP Protection degrees:	IP67
IK Protection degrees:	IK10
Light source 1:	1 x GU10 MAX 50W Maximum lamp length: 55.00 mm
Voltage / Frequency:	230V/50-60Hz
Warranty (Years):	2
Units per box:	4
Net Weight (Kg):	0.775
EAN:	8435111069707

The photograph may not match the reference exactly. Please read the product description to identify the finish.

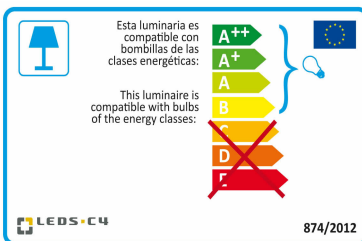


**MATERIALS / FINISHES**

<b>Structure material:</b>	Stainless steel AISI304 Technopolymer	<b>Diffuser material:</b>	Glass
<b>Structure finish:</b>	Polished	<b>Diffuser finish:</b>	Tempered

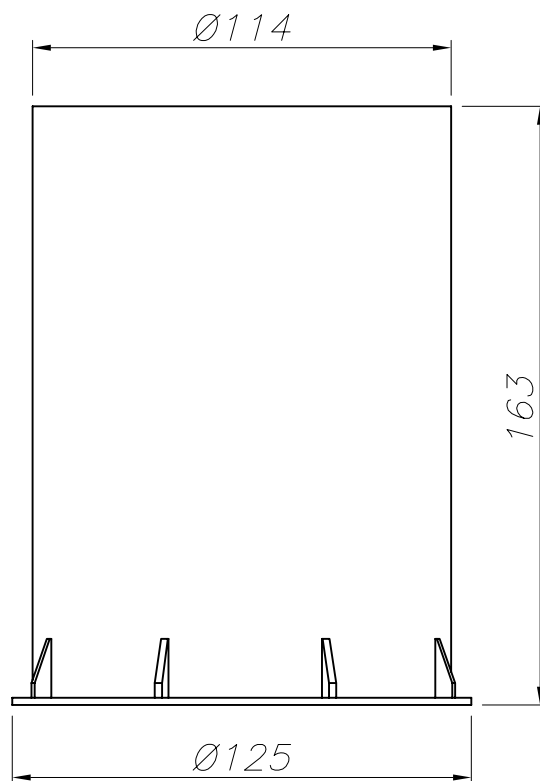
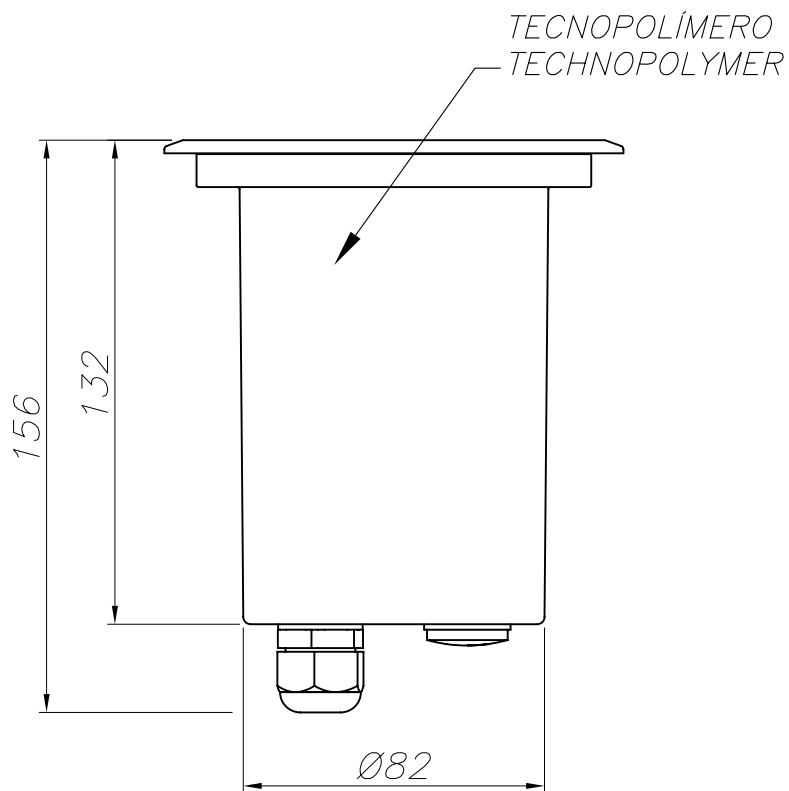


Download photometric file .ldt /.ies



Click on image to download energy label

**71-9448-CA-CA****Structure material:** Stainless steel AISI316**Structure finish:** Polished



CAJA DE EMPOTRAR  
FLUSH FITTING BOX

