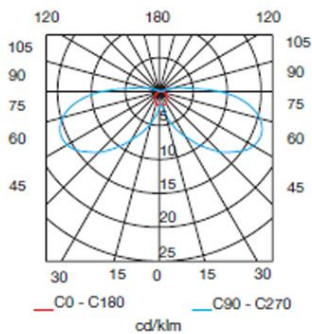
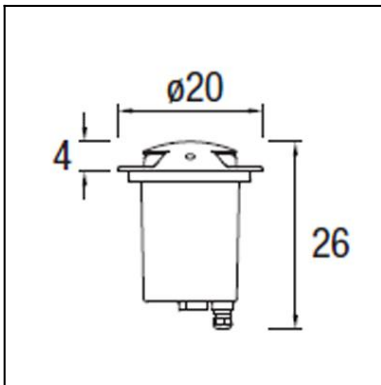




The photograph may not match the reference exactly. Please read the product description to identify the finish.



TECHNICAL CHARACTERISTICS

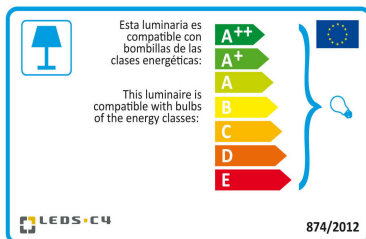
Type:	UPLIGHT RECESSED
IP Protection degrees:	IP67
IK Protection degrees:	IK10
Light source 1:	1 x E27 MAX 20W Maximum lamp length: 175.00 mm
Total power consumption (W):	20
Voltage / Frequency:	230V/50-60Hz
Warranty (Years):	2
Units per box:	4
Net Weight (Kg):	2.16
EAN:	8435111075210



MATERIALS / FINISHES

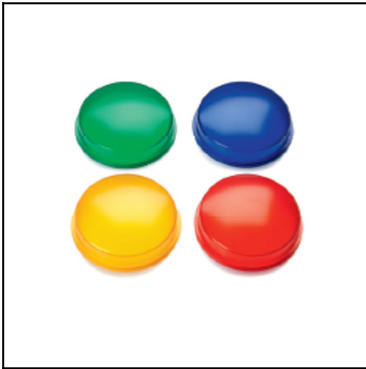
Structure material:	High purity aluminium Technopolymer	Diffuser material:	Polycarbonate
Structure finish:	Grey	Diffuser finish:	Matt

Download photometric file .ldt / .ies



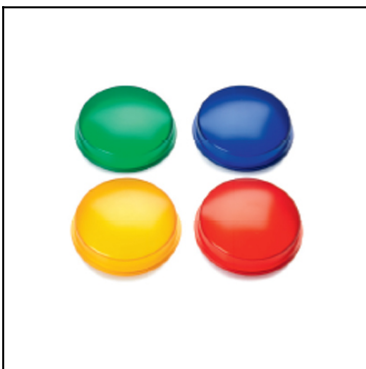
Click on image to download energy label

71-9477-08-08



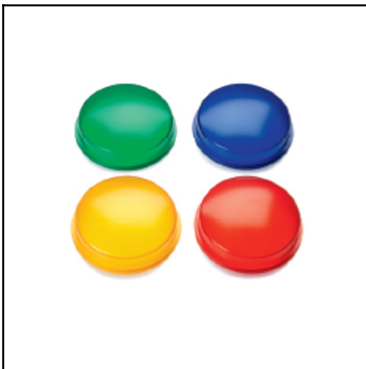
Structure material: Polycarbonate
Structure finish: Green

71-9477-11-11



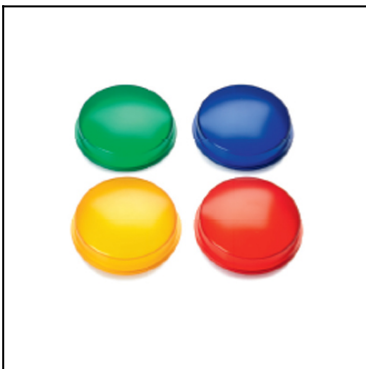
Structure material: Polycarbonate
Structure finish: Blue

71-9477-24-24



Structure material: Polycarbonate

71-9477-25-25

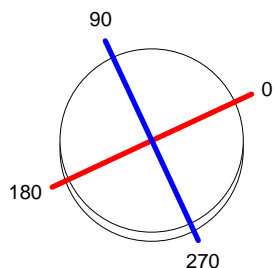


Structure material: Polycarbonate
Structure finish: Red

Luminaire		Measur.		Lamp	
Code	55-9427	Code	55-9427	Code	PLET20DL
Name	Uplight 20W TC-TSE opal 2 vent	Name	Uplight 20W TC-TSE opal 2 vent	Number	1
Line	Eulumdat	Date	25-11-2009	Position	
Efficiency	4.57%	Coordinate system	CG	Total Flux	1100.00 lm
Maximum value	17.79 cd	Position	C=90.00 G=65.00	Double Symmetrical	
Round Luminaire	Diam.	205 mm	Height	40 mm	
Round Luminous Area	Diam.	205 mm	Height	20 mm	
Horizontal Luminous Area	0.033006 m2	Emitting area on Plane 180°	0.004100 m2		
Emitting area on Plane 0°	0.004100 m2	Emitting area on Plane 270°	0.004100 m2		
Emitting area on Plane 90°	0.004100 m2	Glare area at 76°	0.011963 m2		
Symmetry Type	Double Symmetrical	Maximum Gamma Angle	180		
Measurement Distance	0.00	Measurement Flux	1100.00 lm		
Operator	Asselum	Source voltage			
Temperature	25.00 °C	Source current			
Humidity	60.00 %	Photocell			
Notes					

Luminaire Lamps						
Line	Code	Name	Flux [lm]	Pow. [W]	Q.ty	
Eulumdat	PLET20DL	PLET20DL - 20.00 W	1100.00	20.00	1	
C.I.E.	17 46 77 91 5	D DIN 5040		A11		
F UTE	0.04 J	B NBN		BZ 9 / 2.5 / BZ 8		

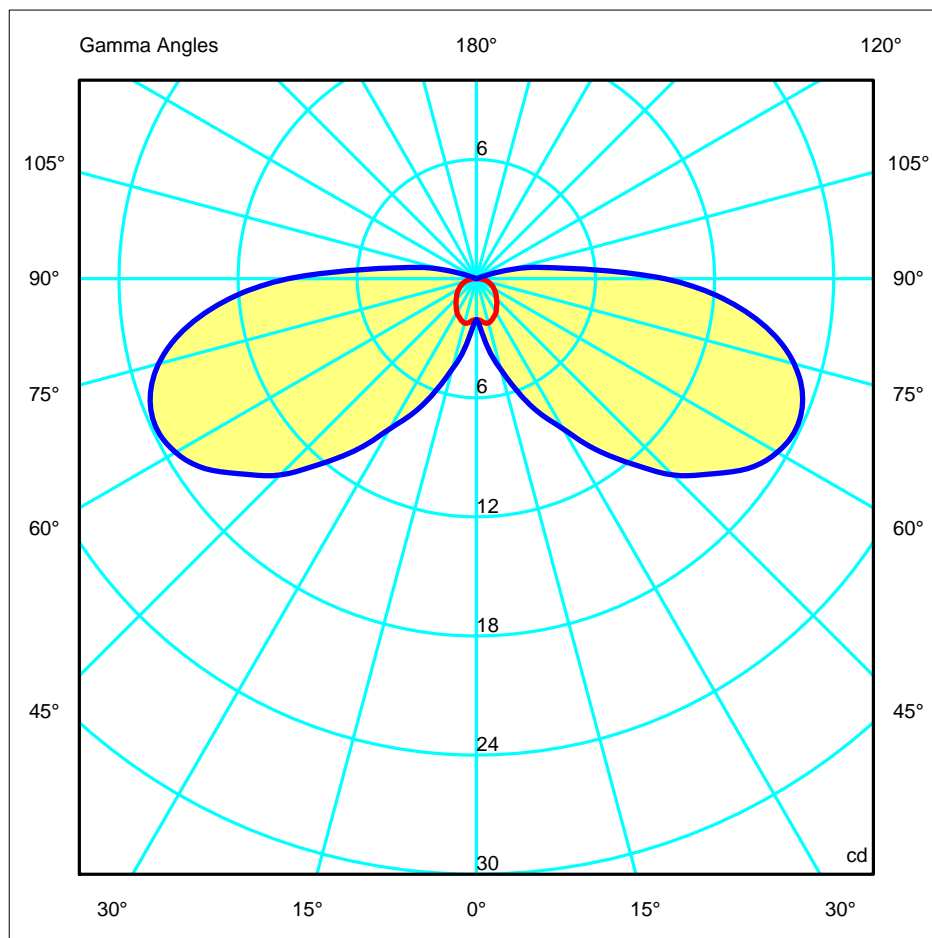
Diam=205mm

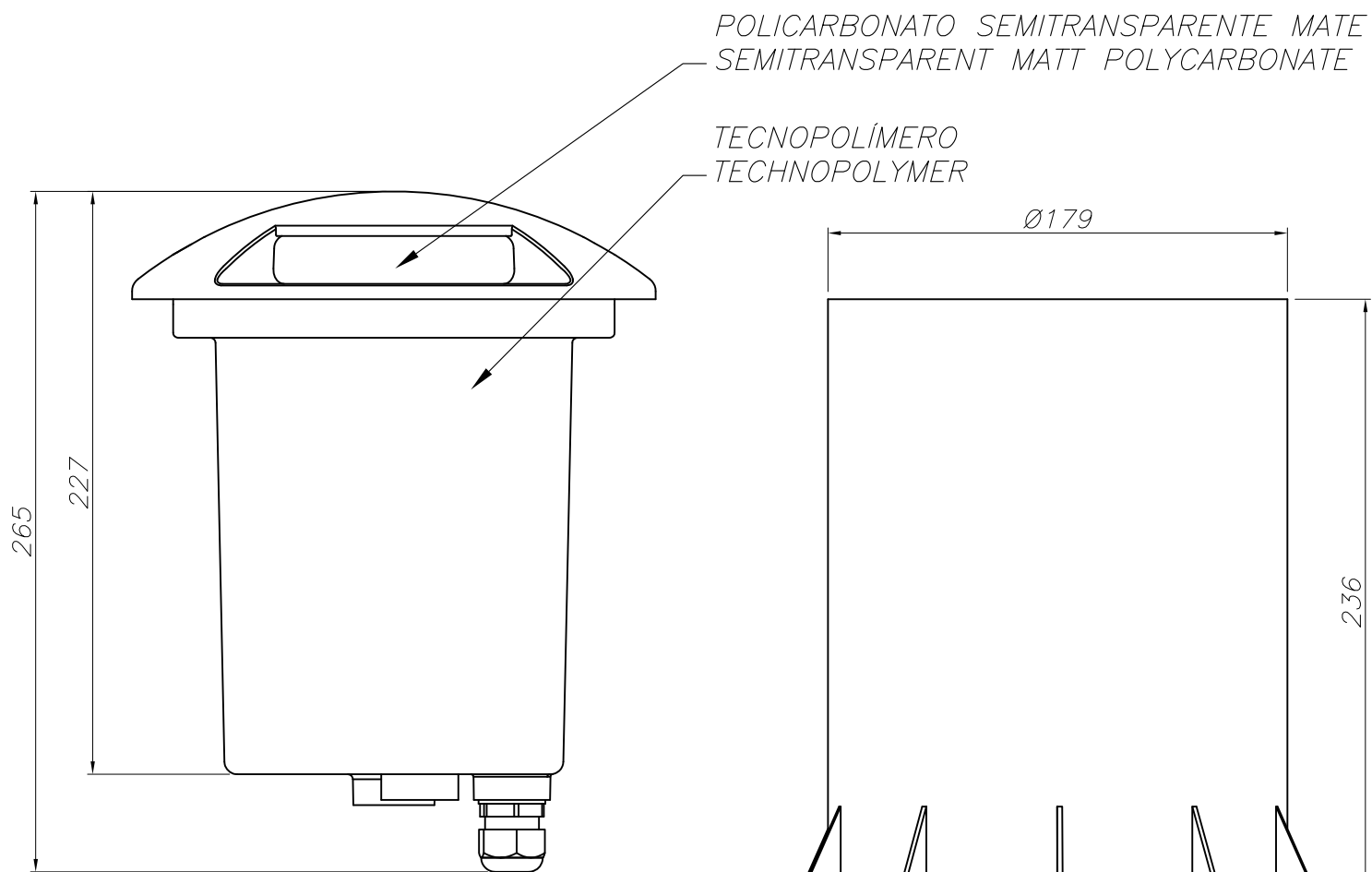


C Halfplanes

180.0 — 0.0
270.0 — 90.0

ULOR 0.40 %
DLOR 4.18 %
RN 8.66 %





CAJA DE EMPOTRAR
FLUSH FITTING BOX

