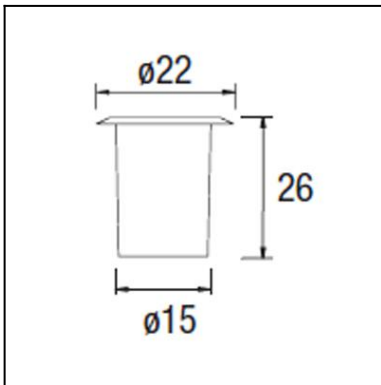




The photograph may not match the reference exactly. Please read the product description to identify the finish.



TECHNICAL CHARACTERISTICS

Type:	UPLIGHT RECESSED
IP Protection degrees:	IP67
IK Protection degrees:	IK10
Light source 1:	1 x Rx7s HIT-DE-70W
Total power consumption (W):	80W
Voltage / Frequency:	230V/50Hz
Warranty (Years):	2
Units per box:	2
Net Weight (Kg):	5.24
EAN:	8435111075258

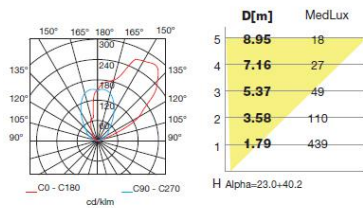


MATERIALS / FINISHES

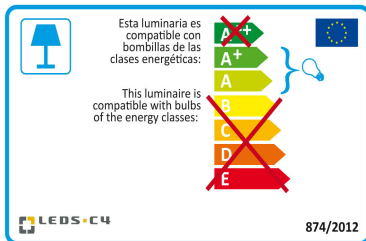
Structure material: Stainless steel AISI304 Injected aluminium	Diffuser material: Glass
Structure finish: Polished	Diffuser finish: Tempered

GEAR

Gear included: Yes, Magnetic



Download photometric file .ldt / .ies

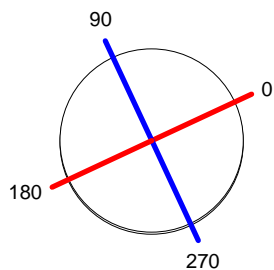


Click on image to download energy label

Luminaire		Measur.		Lamp		
Code	55-9433	Code	55-9433	Code	CDMTD70/830	
Name	Uplight indirecta 70W HM RX7s	Name	Uplight indirecta 70W HM RX7s	Number	1	
Line	Eulumdat	Date	25-11-2009	Position		
Efficiency	37.48%	Coordinate system	CG	Total Flux	6500.00 lm	
Maximum value	1817.92 cd	Position	C=180.00 G=35.00	Sym. on planes 0-180		
Round Luminaire	Diam.	223 mm	Height	5 mm	Height	1 mm
Rectangular Luminous Area	Length	111 mm	Width	85 mm		
Horizontal Luminous Area	0.009435 m2		Emitting area on Plane 180°	0.000111 m2		
Emitting area on Plane 0°	0.000111 m2		Emitting area on Plane 270°	0.000085 m2		
Emitting area on Plane 90°	0.000085 m2		Glare area at 76°	0.002390 m2		
Symmetry Type	Sym. on planes 0-180		Maximum Gamma Angle	180		
Measurement Distance	0.00		Measurement Flux	6500.00 lm		
Operator	Asselum		Source voltage			
Temperature	25.00 °C		Source current			
Humidity	60.00 %		Photocell			
Notes						

Luminaire Lamps						
Line	Code	Name	Flux [lm]	Pow. [W]	Q.ty	
Eulumdat	CDMTD70/830	CDMTD70/830 - 71.00 W	6500.00	71.00	1	
C.I.E.	53 88 99 100 37	D DIN 5040		A40		
F UTE	0.37 D	B NBN		BZ 4 / 1.25 / BZ 3		

Diam=223mm



C Halfplanes

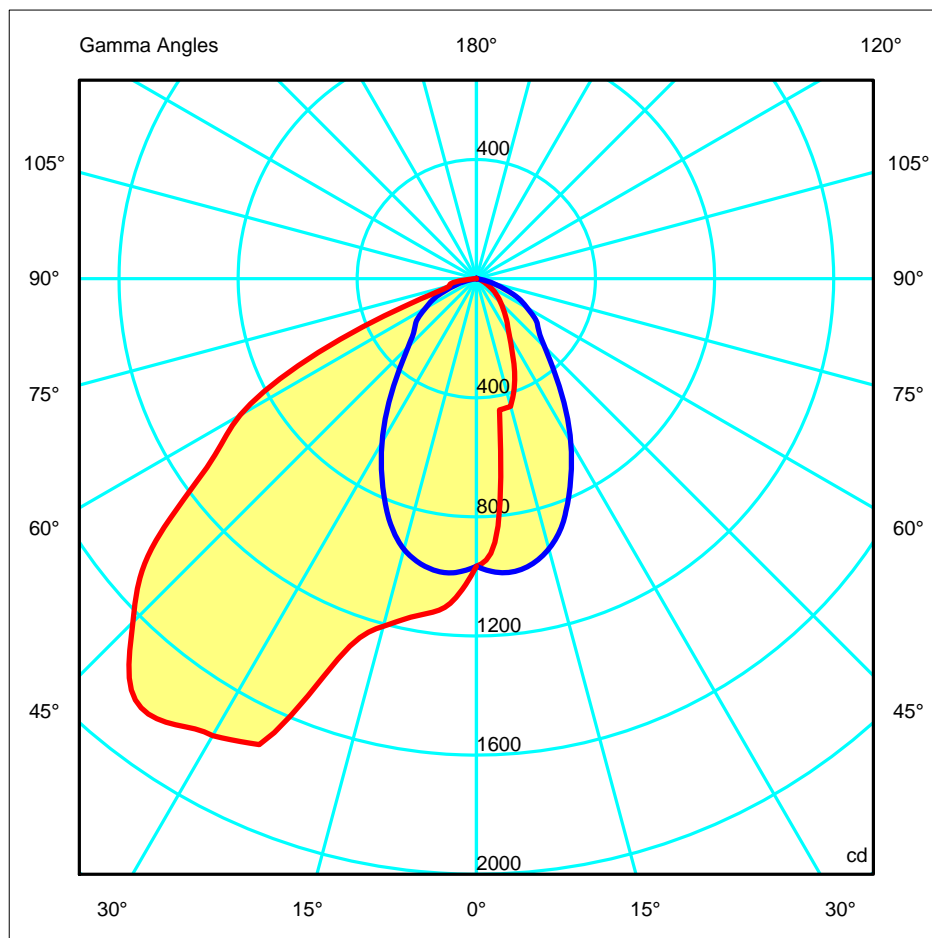
180.0 — 0.0

270.0 — 90.0

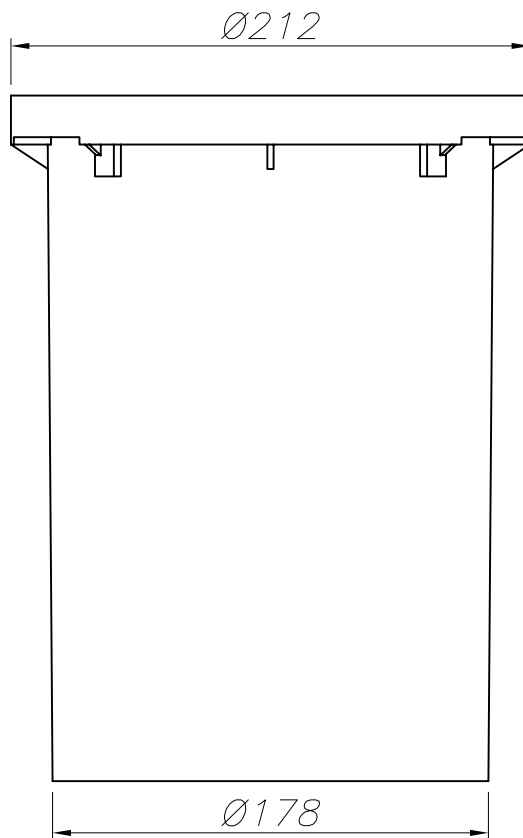
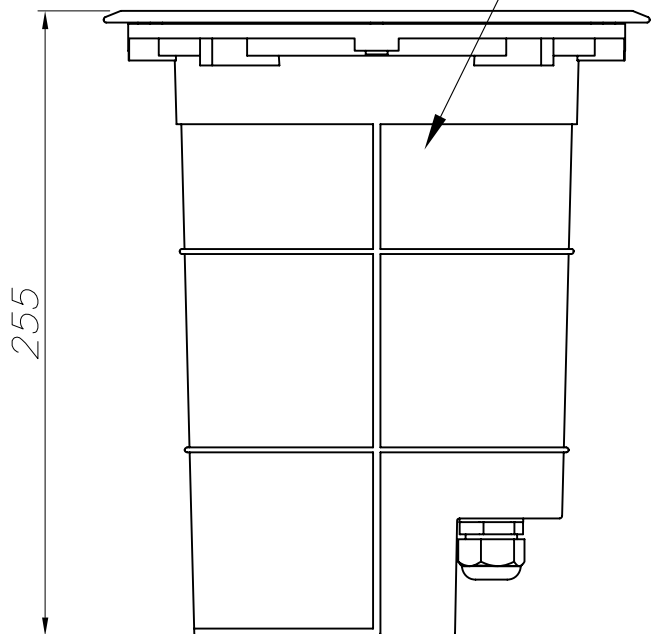
ULOR 0.06 %

DLOR 37.41 %

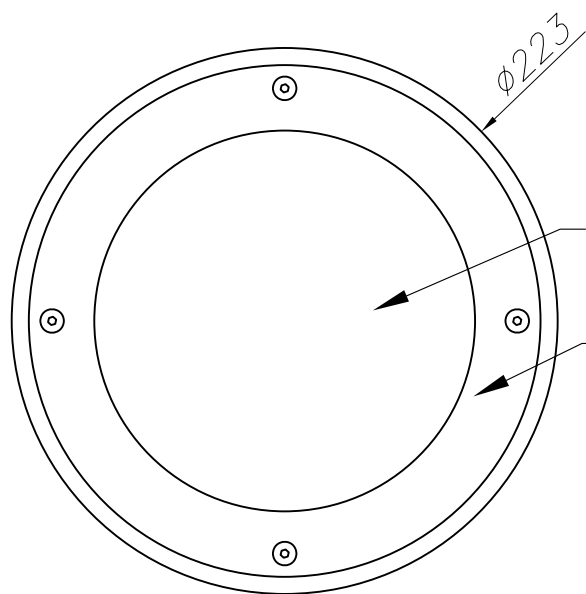
RN 0.17 %



ALUMINIO INYECTADO
INJECTED ALUMINUM



CAJA DE EMPOTRAR
FLUSH FITTING BOX



CRISTAL TRANSPARENTE
TRANSPARENT GLASS

ACERO INOXIDABLE AISI 304
STAINLESS STEEL AISI 304

