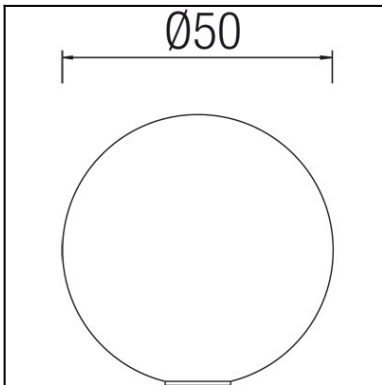
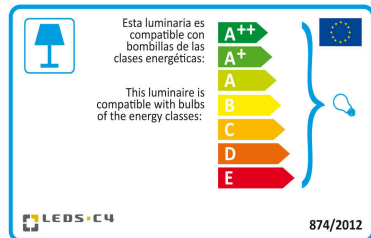


The photograph may not match the reference exactly. Please read the product description to identify the finish.



[Download photometric file .ldt / .ies](#)



[Click on image to download energy label](#)

TECHNICAL CHARACTERISTICS

Type:	Table lamp
IP Protection degrees:	IP44
IK Protection degrees:	IK06
Light source 1:	1 x E27 MAX 150W
Total power consumption (W):	150
Voltage / Frequency:	230V/50-60Hz
Warranty (Years):	2
Units per box:	1
Net Weight (Kg):	2.16
EAN:	8435111081624



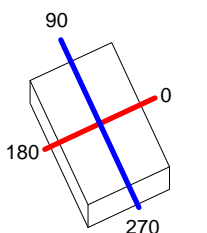
MATERIALS / FINISHES

Structure material:	Methacrylate	Diffuser material:	Methacrylate
Structure finish:	White	Diffuser finish:	Opal

Luminaire		Measur.		Lamp		
Code	55-9481	Code	55-9581	Code	PL-L36W/840/4P	
Name	Baliza TINA 36W TC-L	Name	Baliza TINA 36W TC-L	Number	1	
Line	Eulumdat	Date	08-11-2011	Position		
Efficiency	57.26%	Coordinate system	CG	Total Flux	2900.00 lm	
Maximum value	335.21 cd	Position	C=0.00 G=80.00	Asymmetrical		
Rectangular Luminaire	Length	102 mm	Width	67 mm	Height	560 mm
Rectangular Luminous Area	Length	80 mm	Width	67 mm	Height	469 mm
Horizontal Luminous Area	0.005360 m2	Emitting area on Plane 180°		0.037600 m2		
Emitting area on Plane 0°	0.037600 m2	Emitting area on Plane 270°		0.031490 m2		
Emitting area on Plane 90°	0.031490 m2	Glare area at 76°		0.037780 m2		
Symmetry Type	Asymmetrical	Maximum Gamma Angle		180		
Measurement Distance	0.00	Measurement Flux		2900.00 lm		
Operator	Asselum T2	Source voltage				
Temperature	25.00 °C	Source current				
Humidity	60.00 %	Photocell				
Notes						

Luminaire Lamps					
Line	Code	Name	Flux [lm]	Pow. [W]	Q.ty
Eulumdat	PL-L36W/840/4P	PL-L36W/840/4P - 36.00 W	2900.00	36.00	1
C.I.E.	9 33 65 50 57	D DIN 5040	C11		
F UTE	--	B NBN	BZ 10		

102mm x 67mm



C Halfplanes

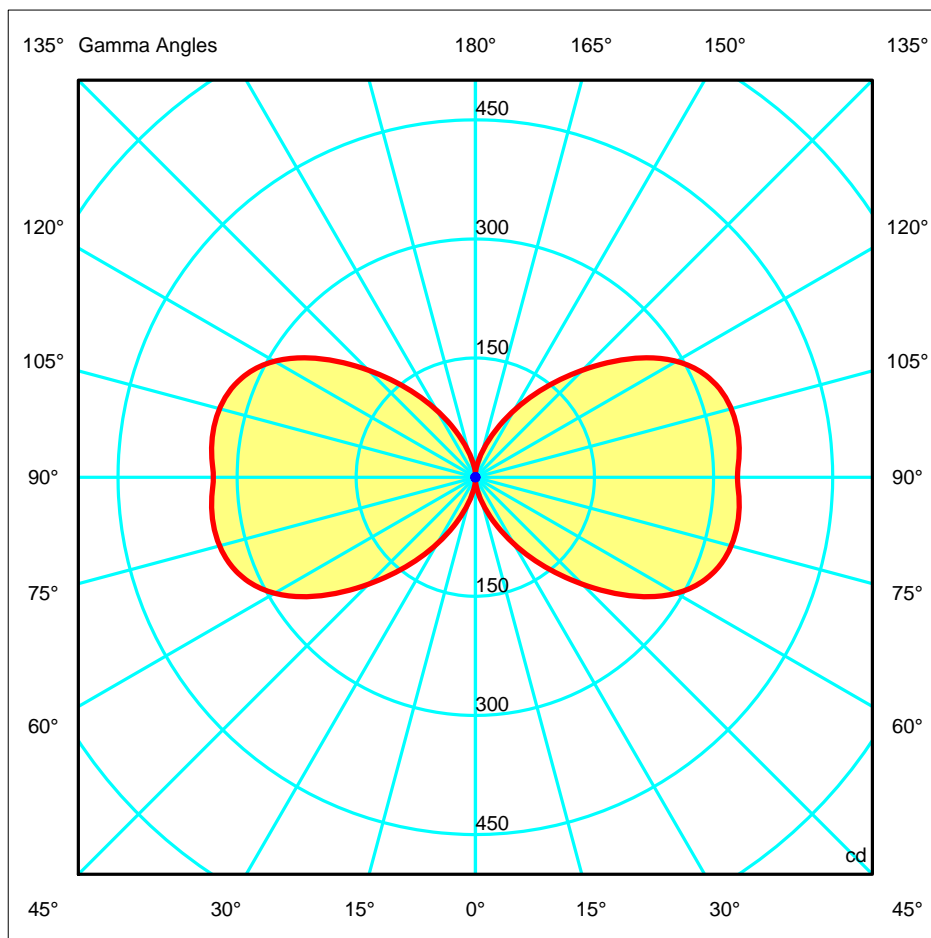
180.0 — 0.0 (Red line)

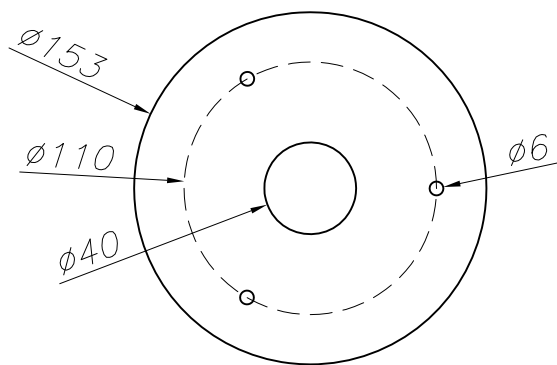
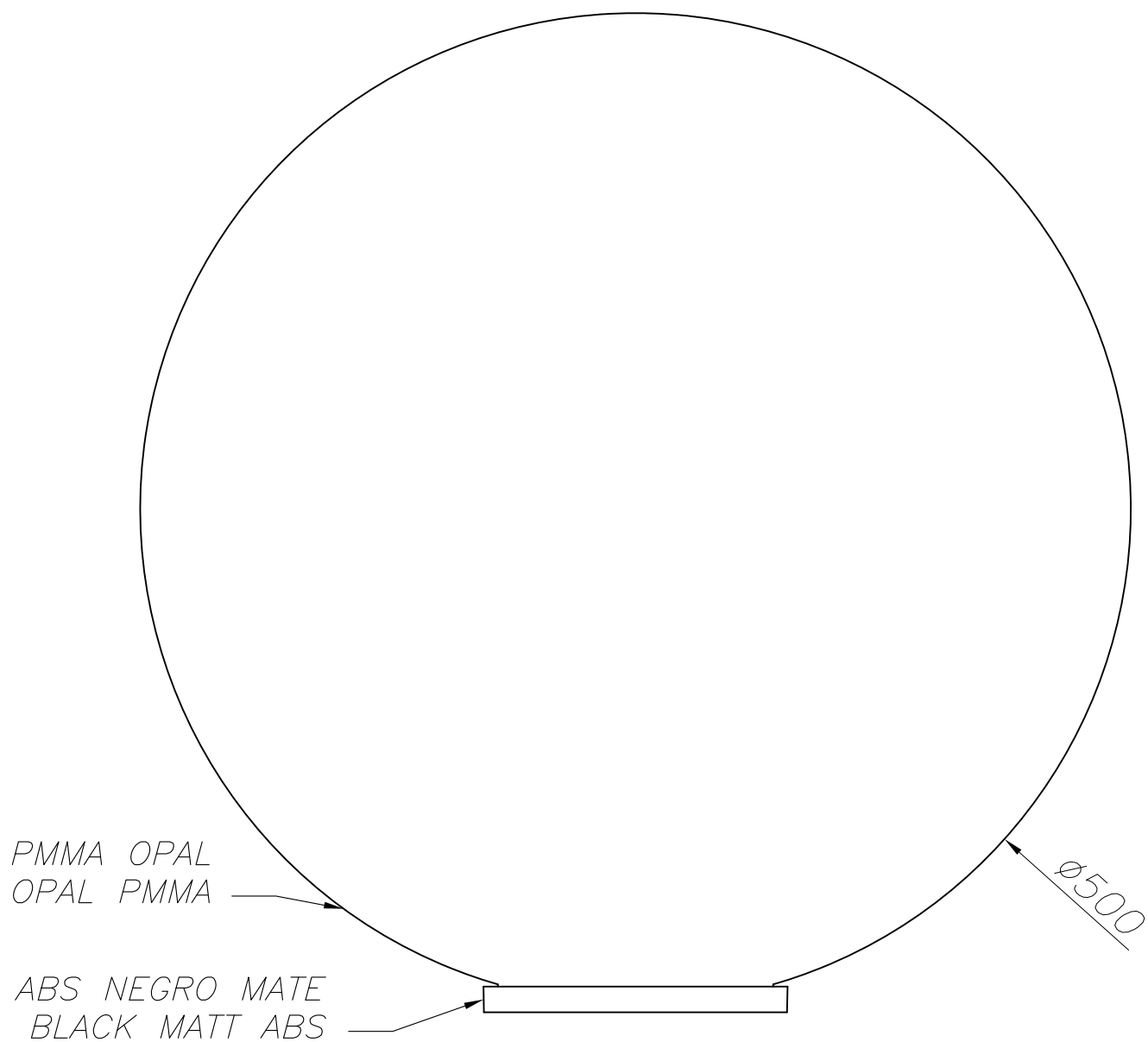
270.0 — 90.0 (Blue line)

ULOR 28.63 %

DLOR 28.63 %

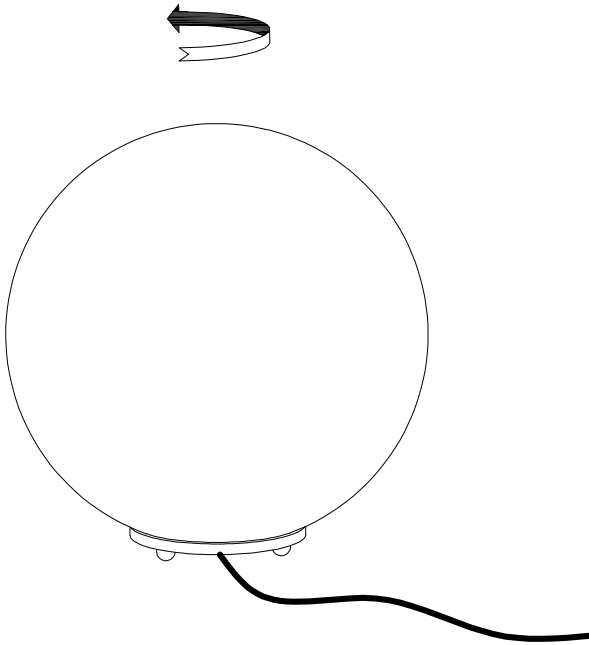
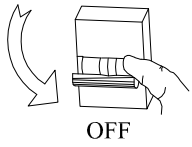
RN 50.00 %



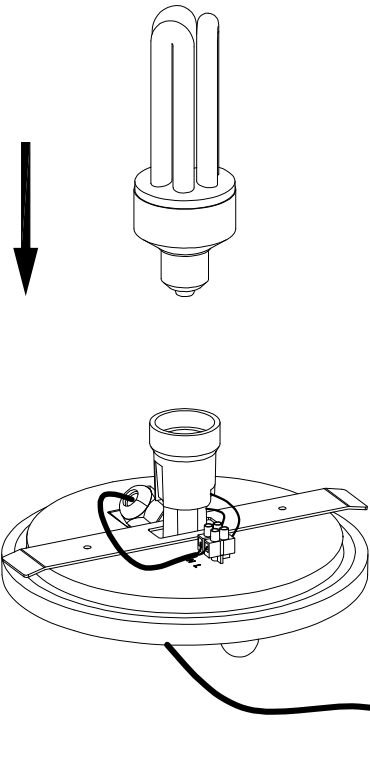


PLANTILLA DE INSTALACIÓN
INSTALLATION TEMPLATE

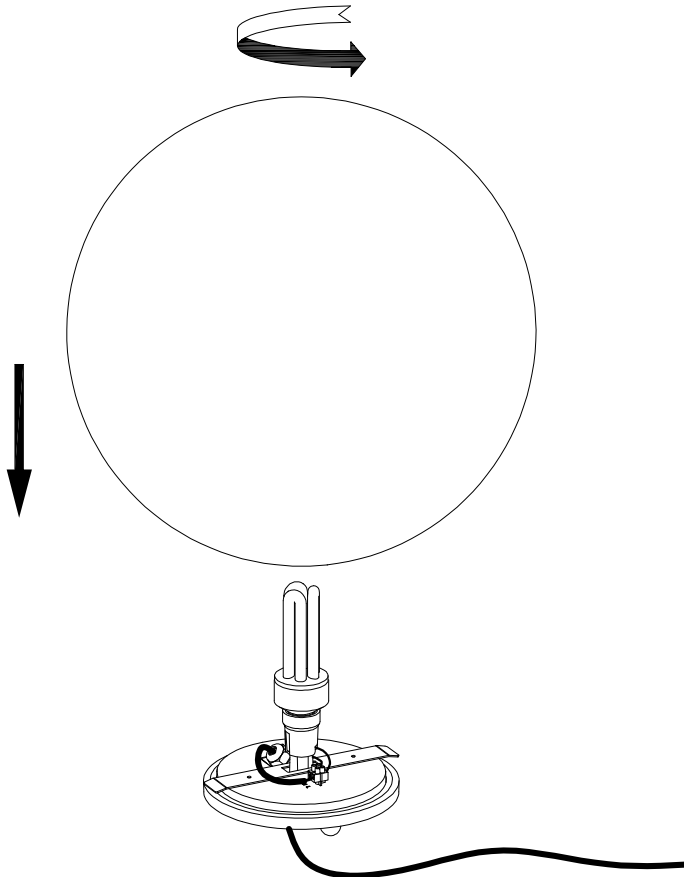
①



②



③



④

