

TECHNICAL CHARACTERISTICS

Type:	Beacon
IP Protection degrees:	IP54
IK Protection degrees:	IK10
Light source 1:	1 x E27 MAX 60W Maximum lamp length: 180.00 mm
Total power consumption (W):	60
Voltage / Frequency:	230V/50-60Hz
Warranty (Years):	2
Units per box:	2
Net Weight (Kg):	3.195
EAN:	8435111082072

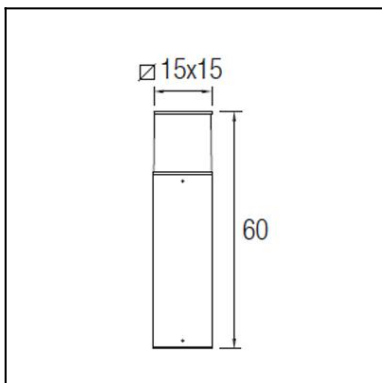


MATERIALS / FINISHES

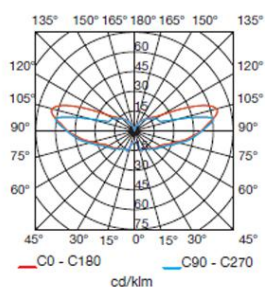
Structure material:	Extruded aluminium	Diffuser material:	Polycarbonate
Structure finish:	Grey	Diffuser finish:	Matt



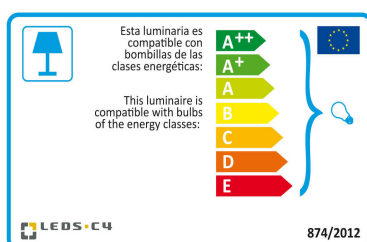
The photograph may not match the reference exactly. Please read the product description to identify the finish.



PL 13W



Download photometric file .ldt /.ies



Click on image to download energy label

LEDS-C4 reserves the right to make the necessary technical changes they deem adequate, in order to improve the features of the product.

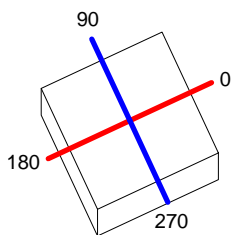
Please consult the sales team to clarify any doubt.

(+34) 973 468 100
leds-c4@leds-c4.com
www.leds-c4.com

Luminaire		Measur.		Lamp		
Code	55-9488-34-M3	Code	10-9386-K7-M3	Code	DLX EL FCY 18W827E27	
Name	CUBIK PL 18W E27 difusor opal	Name	CUBIK PL 18W E27 difusor opal	Number	1	
Line	Eulumdat	Date	03-09-2009	Position		
Efficiency	37.23%	Coordinate system	CG	Total Flux	1100.00 lm	
Maximum value	65.64 cd	Position	C=15.00 G=105.00	Double Symmetrical		
Rectangular Luminaire	Length	150 mm	Width	150 mm	Height	600 mm
Rectangular Luminous Area	Length	150 mm	Width	150 mm	Height	95 mm
Horizontal Luminous Area	0.022500 m2	Emitting area on Plane 180°		0.014250 m2		
Emitting area on Plane 0°	0.014250 m2	Emitting area on Plane 270°		0.014250 m2		
Emitting area on Plane 90°	0.014250 m2	Glare area at 76°		0.019270 m2		
Symmetry Type	Double Symmetrical	Maximum Gamma Angle	180			
Measurement Distance	0.00	Measurement Flux	1100.00 lm			
Operator	Asselum	Source voltage				
Temperature	25.00 °C	Source current				
Humidity	60.00 %	Photocell				
Notes						

Luminaire Lamps					
Line	Code	Name	Flux [lm]	Pow. [W]	Q.ty
Eulumdat	DLX EL FCY 18W827E27	DLX EL FCY 18W827E27 - 18.00 W	1100.00	18.00	1
C.I.E.	16 36 61 41 37	D DIN 5040			
F UTE	--	B NBN	C12	BZ 10	

150mm x 150mm



C Halfplanes

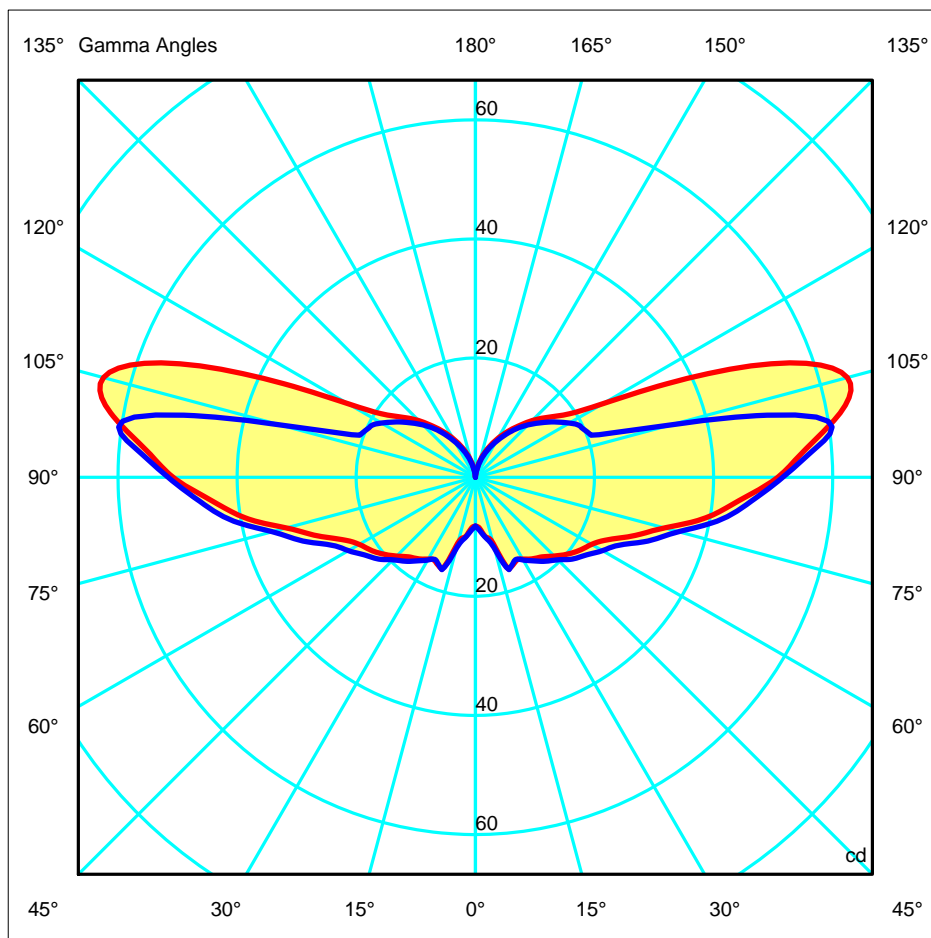
180.0 — 0.0 (Red line)

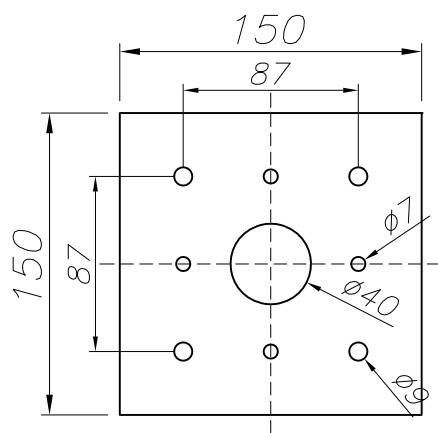
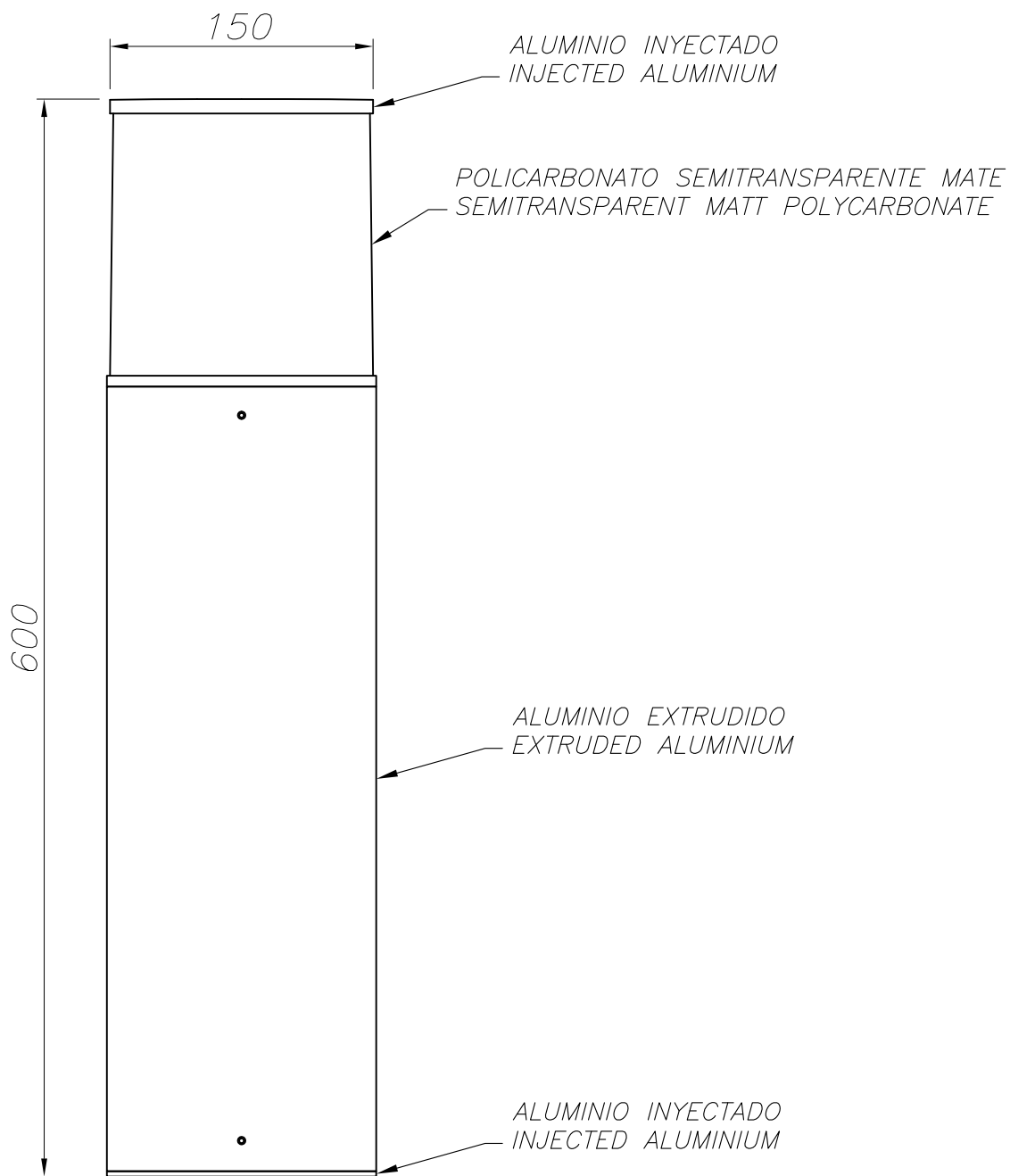
270.0 — 90.0 (Blue line)

ULOR 21.86 %

DLOR 15.37 %

RN 58.73 %





PLANTILLA DE INSTALACION
INSTALLATION TEMPLATE

