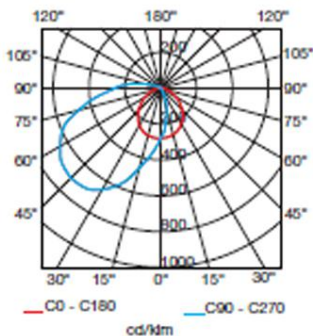
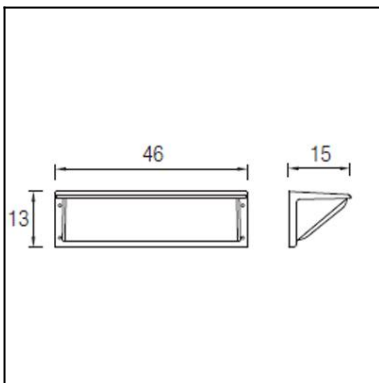
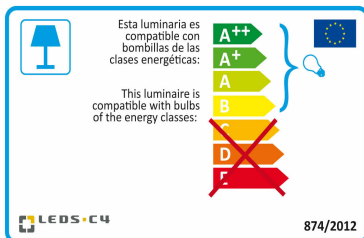




The photograph may not match the reference exactly. Please read the product description to identify the finish.



Download photometric file .ldt/.ies



Click on image to download energy label

### Description

Triangular shaped wall fixture for general direct lighting applications. Body produced in high grade injected aluminium and it comes complete with a frosted polycarbonate diffuser. Available in two sizes, and finished in grey or dark grey. Light source uses one or two G24d-3 26W fluorescent bulbs depending on the model (not supplied). Includes gear. Its high IP and IK rating (IP65, IK10) and its tough weatherproof material make it extremely resistant even under the most severe weather conditions.

### TECHNICAL CHARACTERISTICS

Type:	Wall fixture
IP Protection degrees:	IP65
IK Protection degrees:	IK10
Light source 1:	2 x G24d3 26W
Voltage / Frequency:	220-240V/50Hz
Warranty (Years):	2
Units per box:	4
Net Weight (Kg):	2.865
EAN:	8435111081723



### MATERIALS / FINISHES

<b>Structure material:</b>	High purity aluminium	<b>Diffuser material:</b>	Polycarbonate
<b>Structure finish:</b>	Grey	<b>Diffuser finish:</b>	Matt

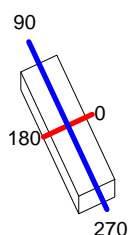
### GEAR

Gear included: Yes, Magnetic

<b>Luminaire</b>		<b>Measur.</b>		<b>Lamp</b>		
Code	05-9457	Code	05-9457	Code	PLC2684	
Name	Aplique 2X26W PL-C	Name	Aplique 2X26W PL-C	Number	2	
Line	Eulumdat	Date	29-12-2010	Position		
Efficiency	41.02%	Coordinate system	CG	Total Flux	3600.00 lm	
Maximum value	782.57 cd	Position	C=285.00 G=45.00	Asymmetrical		
Rectangular Luminaire	Length	465 mm	Width	135 mm	Height	135 mm
Rectangular Luminous Area	Length	400 mm	Width	135 mm	Height	1 mm
Horizontal Luminous Area	0.054000 m2	Emitting area on Plane 180°		0.000400 m2		
Emitting area on Plane 0°	0.000400 m2	Emitting area on Plane 270°		0.000135 m2		
Emitting area on Plane 90°	0.000135 m2	Glare area at 76°		0.013452 m2		
Symmetry Type	Asymmetrical	Maximum Gamma Angle		180		
Measurement Distance	0.00	Measurement Flux		3600.00 lm		
Operator	Asselum	Source voltage				
Temperature	25.00 °C	Source current				
Humidity	60.00 %	Photocell				
Notes						

Luminaire Lamps					
Line	Code	Name	Flux [lm]	Pow. [W]	Q.ty
Eulumdat	PLC2684	PLC2684 - 26.00 W	1800.00	26.00	2
C.I.E.	33 64 87 92 41	D DIN 5040		A21	
F UTE	0.38 I + 0.03 T	B NBN		BZ 6	

465mm x 135mm



**C Halfplanes**

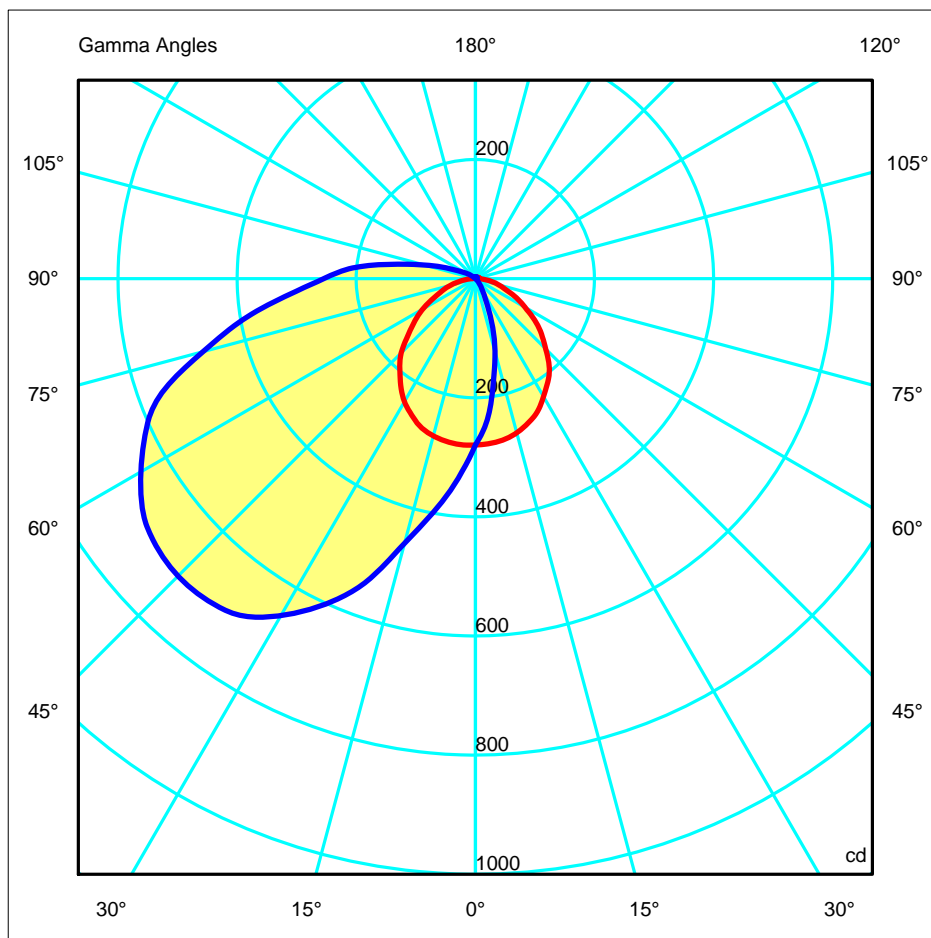
180.0 — 0.0

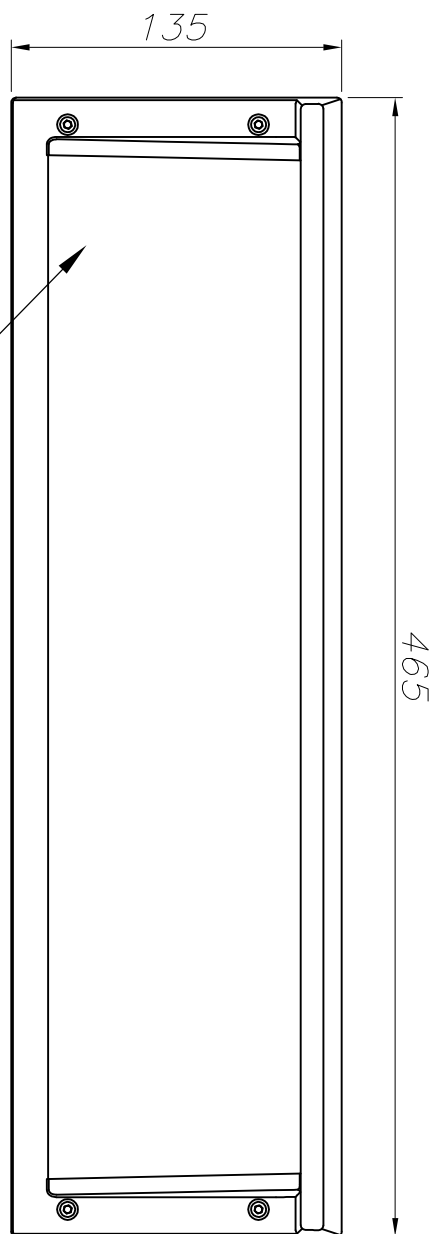
270.0 — 90.0

ULOR 3.35 %

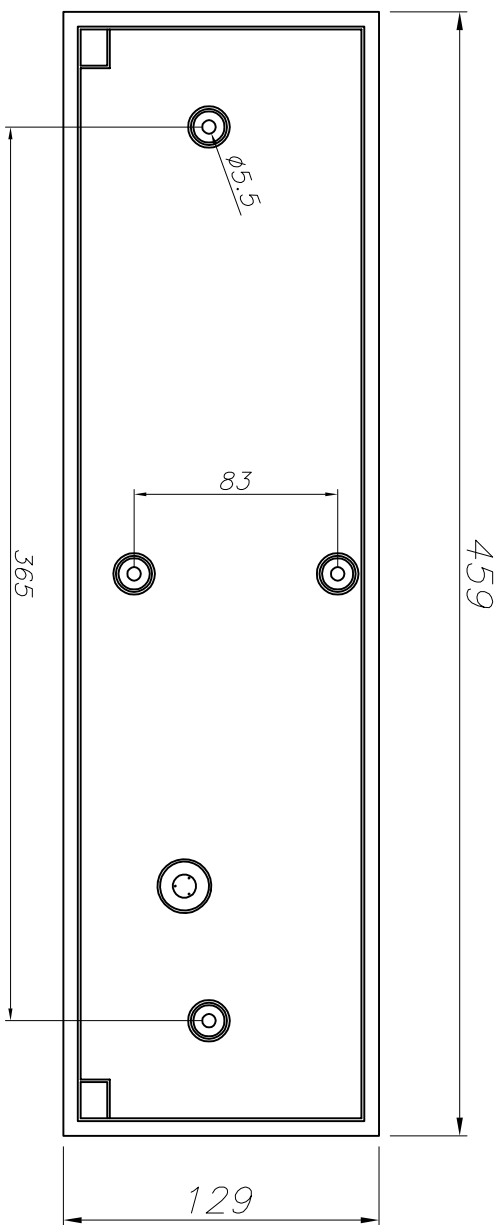
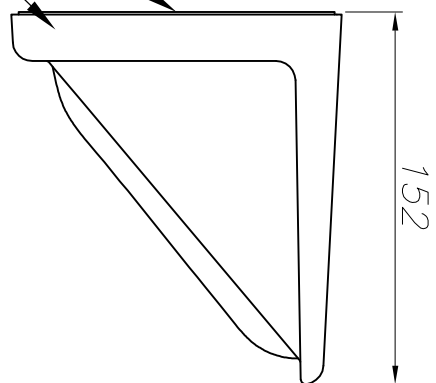
DLOR 37.67 %

RN 8.16 %





ALUMINIO DE ALTA PUREZA  
HIGH QUALITY ALUMINIUM



PLANTILLA DE INSTALACIÓN  
INSTALLATION TEMPLATE

