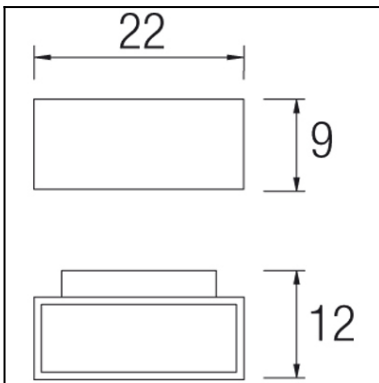




The photograph may not match the reference exactly. Please read the product description to identify the finish.

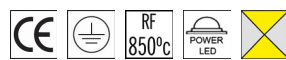


Description

Straight edged lamp designed for lighting vertical surfaces. Injected aluminium body and tempered glass diffuser. Available in various sizes and finishes: white, light grey, dark grey and brown. Available in different wattages for metal halide lamps, LED and fluorescent lights.

TECHNICAL CHARACTERISTICS

Type:	Wall fixture
IP Protection degrees:	IP65
IK Protection degrees:	IK04
Light source 1:	8 x LED Cree 8W Neutral white (5000 - 3700 K) 836 lm ^(N) CRI 75
Total power consumption (W):	10.4
Voltage / Frequency:	100-240V/50-60Hz
Warranty (Years):	2
Option to extend the guarantee (Years):	5
Units per box:	4
Net Weight (Kg):	1.48
EAN:	8435111081730



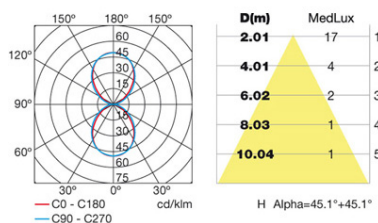
MATERIALS / FINISHES

Structure material: High purity aluminium

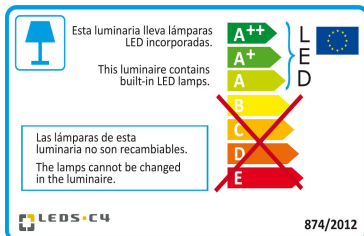
Diffuser material: Glass

Structure finish: Grey

Diffuser finish: Matt



Download photometric file .ldt / .ies



Click on image to download energy label

GEAR

Multi-voltage electronic gear included (110-240 V / 50-60 Hz)

Lm^(N): Nominal flow of light in actual working conditions. Its actual flow will depend on the environmental conditions and the efficiency of the optics and/or diffuser.

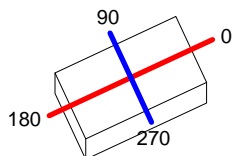
LEDS-C4 reserves the right to make the necessary technical changes they deem adequate, in order to improve the features of the product.

Please consult the sales team to clarify any doubt.

Luminaire		Measur.		Lamp		
Code	05-9458-34-T2	Code	05-9458-34-T2	Code	05-9458-34-T2	
Name	Aplique AFRODITA led 8x1W opal	Name	Aplique AFRODITA led 8x1W opal	Number	1	
Line	Eulumdat	Date	28-07-2011	Position		
Efficiency	100.00%	Coordinate system	CG	Total Flux	227.35 lm	
Maximum value	49.20 cd	Position	C=0.00 G=0.00	Double Symmetrical		
Rectangular Luminaire	Length	120 mm	Width	220 mm	Height	90 mm
Rectangular Luminous Area	Length	60 mm	Width	185 mm	Height	89 mm
Horizontal Luminous Area	0.011100 m2	Emitting area on Plane 180°		0.005400 m2		
Emitting area on Plane 0°	0.005400 m2	Emitting area on Plane 270°		0.016650 m2		
Emitting area on Plane 90°	0.016650 m2	Glare area at 76°		0.007925 m2		
Symmetry Type	Double Symmetrical	Maximum Gamma Angle	180			
Measurement Distance	0.00	Measurement Flux	227.35 lm			
Operator	Asselum T2	Source voltage				
Temperature	25.00 °C	Source current				
Humidity	60.00 %	Photocell				
Notes						

Luminaire Lamps					
Line	Code	Name	Flux [lm]	Pow. [W]	Q.ty
Eulumdat	05-9458-34-T2	05-9458-34-T2 - 8.00 W	227.35	8.00	1
C.I.E.	54 84 97 50 100	D DIN 5040	C41		
F UTE	0.50 D + 0.50 T	B NBN	BZ 4		

120mm x 220mm



C Halfplanes

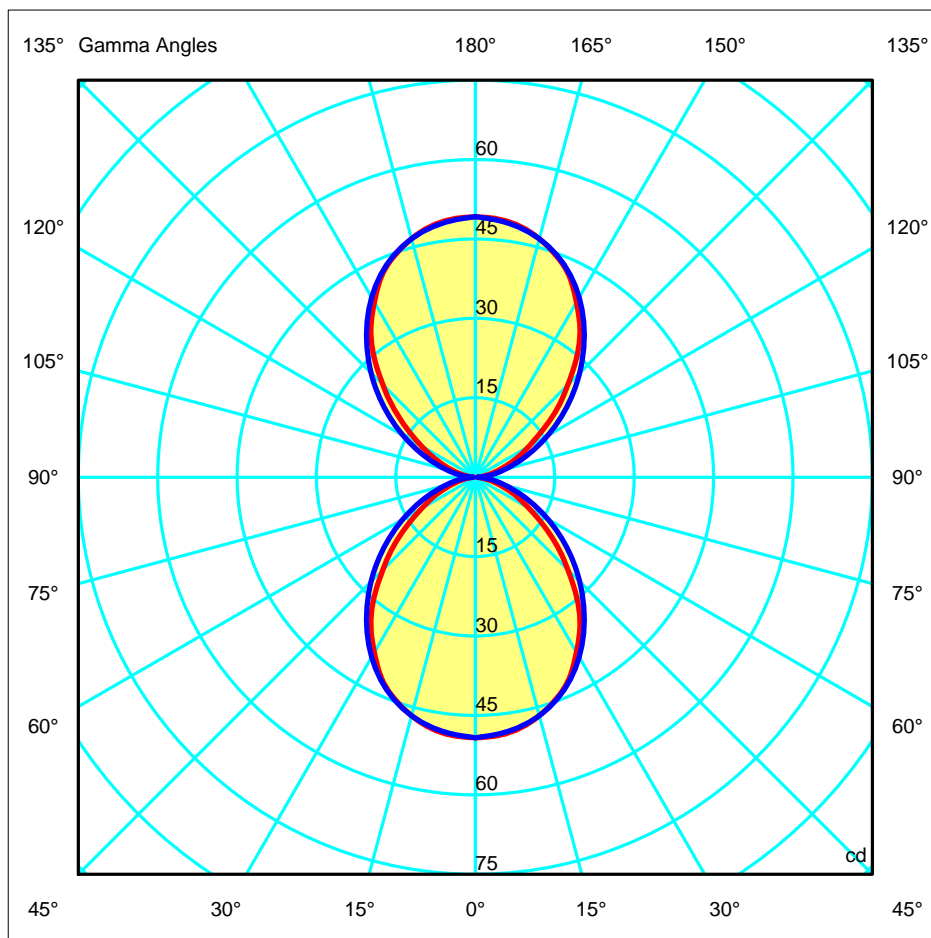
180.0 — 0.0 (Red line)

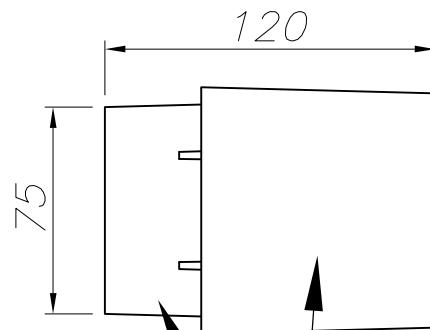
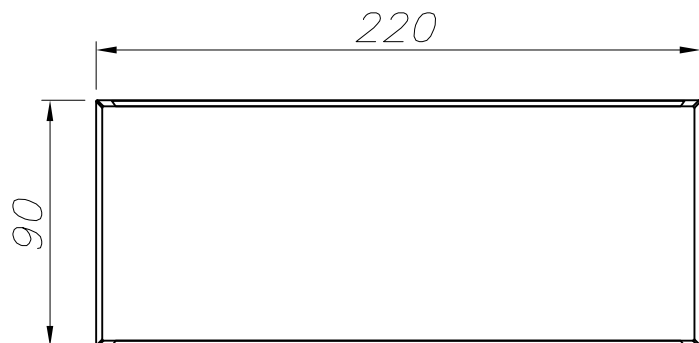
270.0 — 90.0 (Blue line)

ULOR 50.00 %

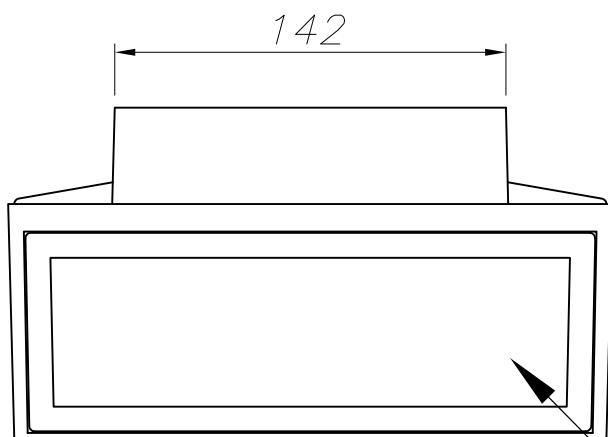
DLOR 50.00 %

RN 50.00 %

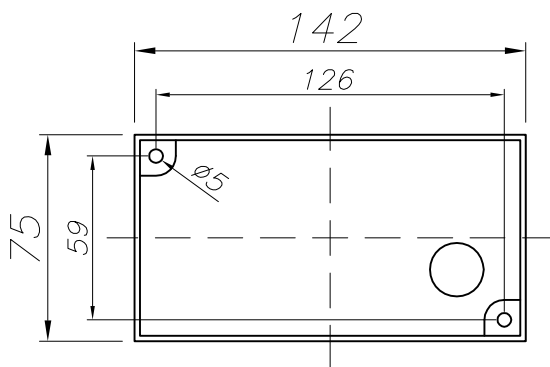




ALUMINIO INYECTADO
INJECTED ALUMINIUM

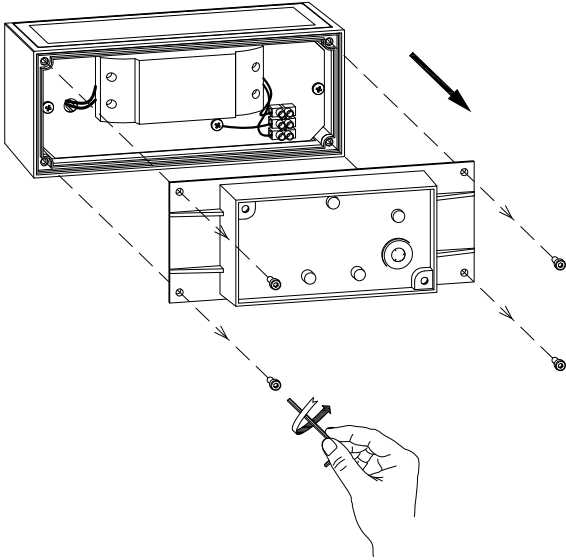


CRISTAL ARENADO INTERIOR
SANDFROSTED GLASS INSIDE

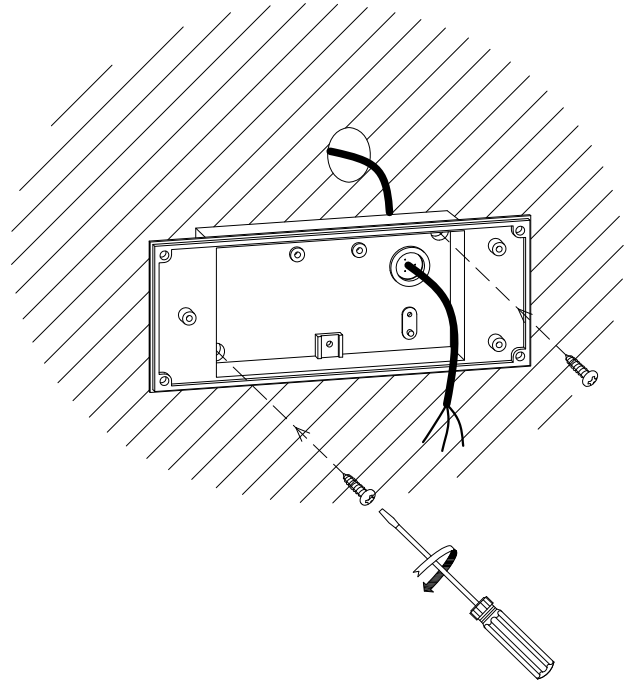


PLANTILLA DE INSTALACIÓN
INSTALLATION TEMPLATE

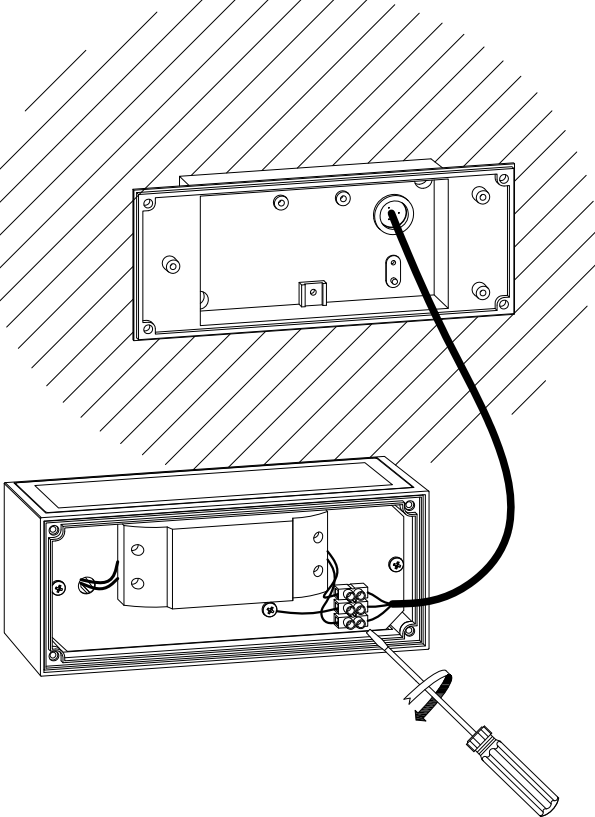
①



②



③



④

