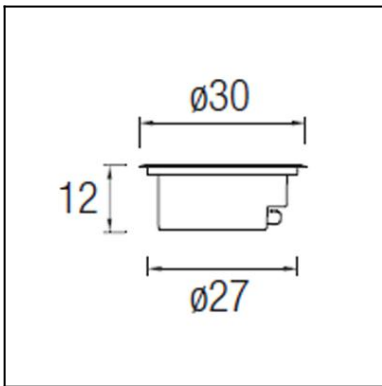




The photograph may not match the reference exactly. Please read the product description to identify the finish.



TECHNICAL CHARACTERISTICS

Type:	UPLIGHT RECESSED
Adjustable:	Adjustable $\pm 15^\circ$ on the vertical axis
IP Protection degrees:	IP67
IK Protection degrees:	IK10
Light source 1:	1 x G8.5 35W
Total power consumption (W):	45W
Angle of the optics / Reflector:	16°, 40°
Voltage / Frequency:	230V/50Hz
Warranty (Years):	2
Units per box:	2
Net Weight (Kg):	5.7
EAN:	8435111082065

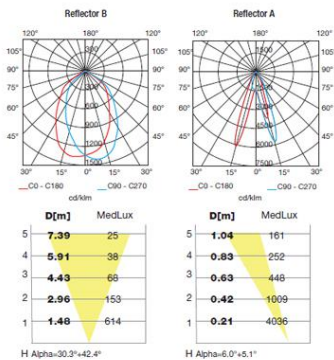


MATERIALS / FINISHES

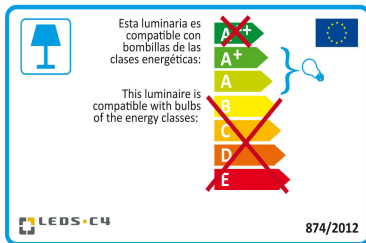
Structure material:	Stainless steel AISI304 Injected aluminium	Diffuser material:	Glass
Structure finish:	Polished	Diffuser finish:	Tempered

GEAR

Gear included: Yes, Magnetic

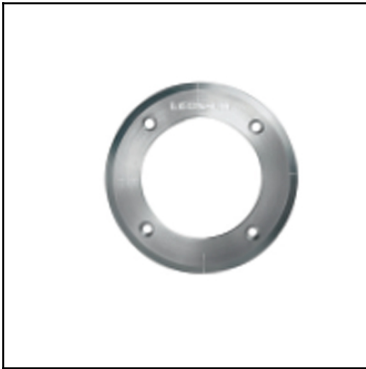


Download photometric file .ldt / .ies



Click on image to download energy label

71-9512-CA-CA

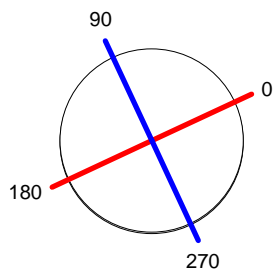


Structure material: Stainless steel AISI316

Luminaire		Measur.		Lamp	
Code	55-9486-A	Code	55-9486-A	Code	MHNTD 35
Name	Uplight HCI-TL 35W NDL	Name	Uplight HCI-TL 35W NDL	Number	1
Line	Eulumdat	Date	28-12-2010	Position	
Efficiency	63.81%	Coordinate system	CG	Total Flux	3200.00 lm
Maximum value	1435.01 cd	Position	C=120.00 G=10.00	Asymmetrical	
Round Luminaire	Diam.	300 mm	Height	5 mm	
Round Luminous Area	Diam.	120 mm	Height	1 mm	
Horizontal Luminous Area	0.011310 m2	Emitting area on Plane 180°	0.000120 m2	Emitting area on Plane 270°	0.000120 m2
Emitting area on Plane 0°	0.000120 m2	Glare area at 76°	0.000120 m2		0.002853 m2
Emitting area on Plane 90°	0.000120 m2				
Symmetry Type	Asymmetrical	Maximum Gamma Angle	90		
Measurement Distance	0.00	Measurement Flux	3200.00 lm		
Operator	Asselum	Source voltage			
Temperature	25.00 °C	Source current			
Humidity	60.00 %	Photocell			
Notes					

Luminaire Lamps						
Line	Code	Name	Flux [lm]	Pow. [W]	Q.ty	
Eulumdat	MHNTD 35	MHNTD 35 - 35.00 W	3200.00	35.00	1	
C.I.E.	69 96 100 100 64	D DIN 5040				
F UTE	0.64 C	B NBN				
		A50				
		BZ 2				

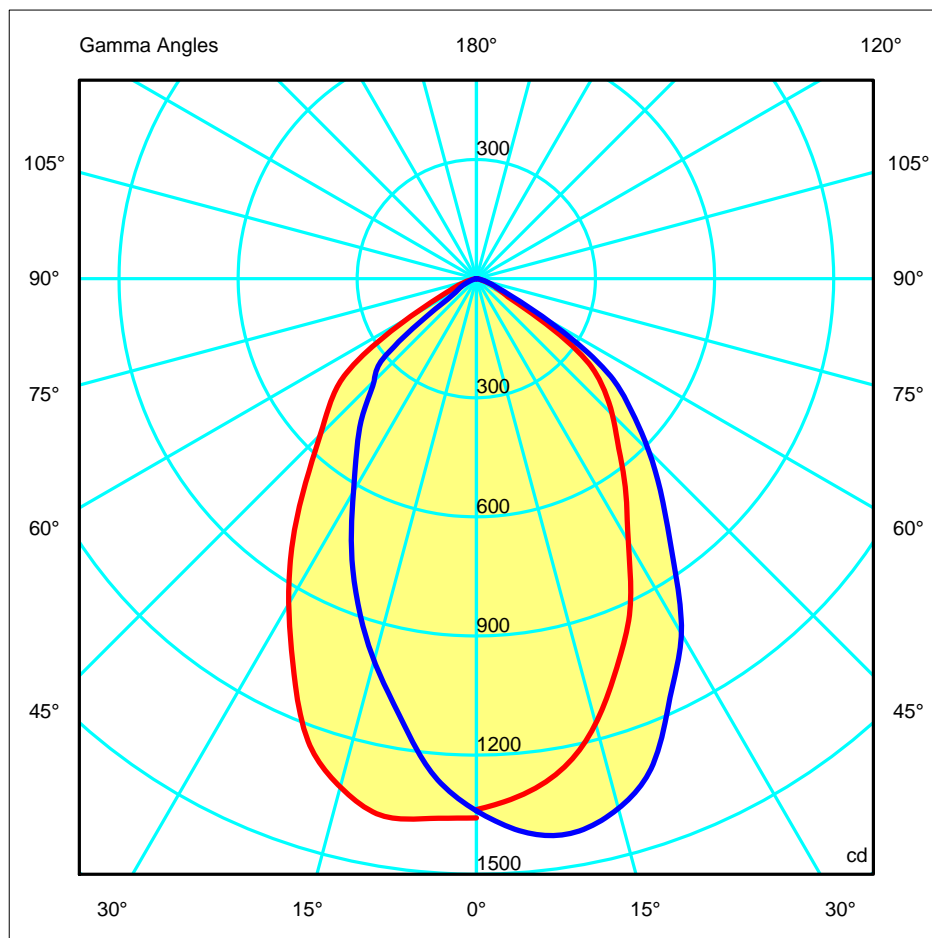
Diam=300mm



C Halfplanes

180.0 — 0.0
270.0 — 90.0

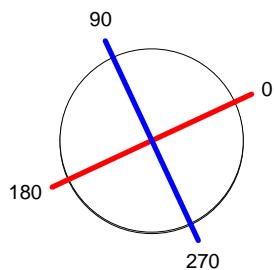
ULOR 0.00 %
DLOR 63.81 %
RN 0.00 %



Luminaire		Measur.		Lamp	
Code	55-9486-B	Code	55-9486-B	Code	MHNT 35
Name	Uplight HCI-TL 35W NDL FACET	Name	Uplight HCI-TL 35W NDL FACET	Number	1
Line	Eulumdat	Date	28-12-2010	Position	
Efficiency	80.29%	Coordinate system	CG	Total Flux	3200.00 lm
Maximum value	8254.40 cd	Position	C=135.00 G=15.00	Asymmetrical	
Round Luminaire	Diam.	300 mm	Height	5 mm	
Round Luminous Area	Diam.	120 mm	Height	1 mm	
Horizontal Luminous Area	0.011310 m2	Emitting area on Plane 180°	0.000120 m2	Emitting area on Plane 270°	0.000120 m2
Emitting area on Plane 0°	0.000120 m2	Glare area at 76°	0.000120 m2		0.002853 m2
Emitting area on Plane 90°	0.000120 m2				
Symmetry Type	Asymmetrical	Maximum Gamma Angle	90		
Measurement Distance	0.00	Measurement Flux	3200.00 lm		
Operator	Asselum	Source voltage			
Temperature	25.00 °C	Source current			
Humidity	60.00 %	Photocell			
Notes					

Luminaire Lamps						
Line	Code	Name	Flux [lm]	Pow. [W]	Q.ty	
Eulumdat	MHNT 35	MHNT 35 - 35.00 W	3200.00	35.00	1	
C.I.E.	86 99 100 100 80	D DIN 5040				
F UTE	0.80 A	B NBN				
		A60				
		BZ 1				

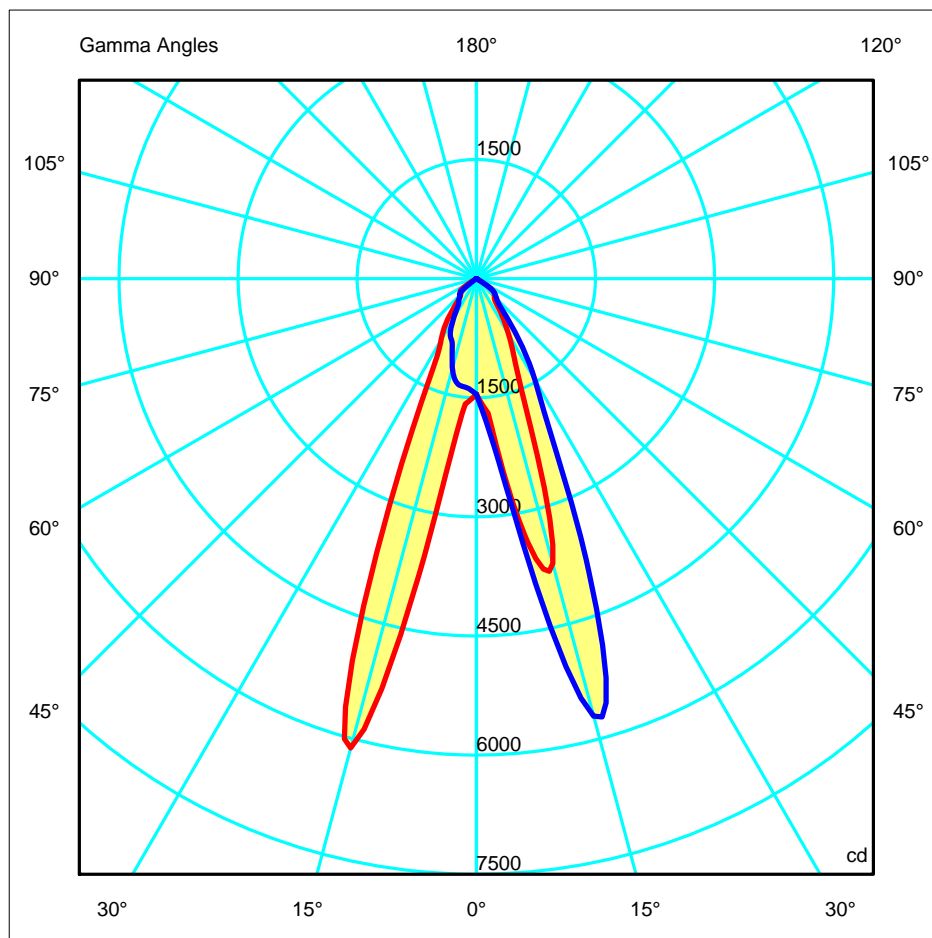
Diam=300mm

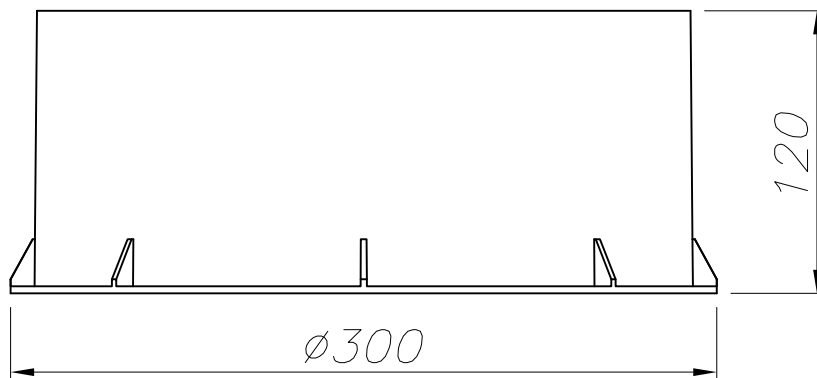
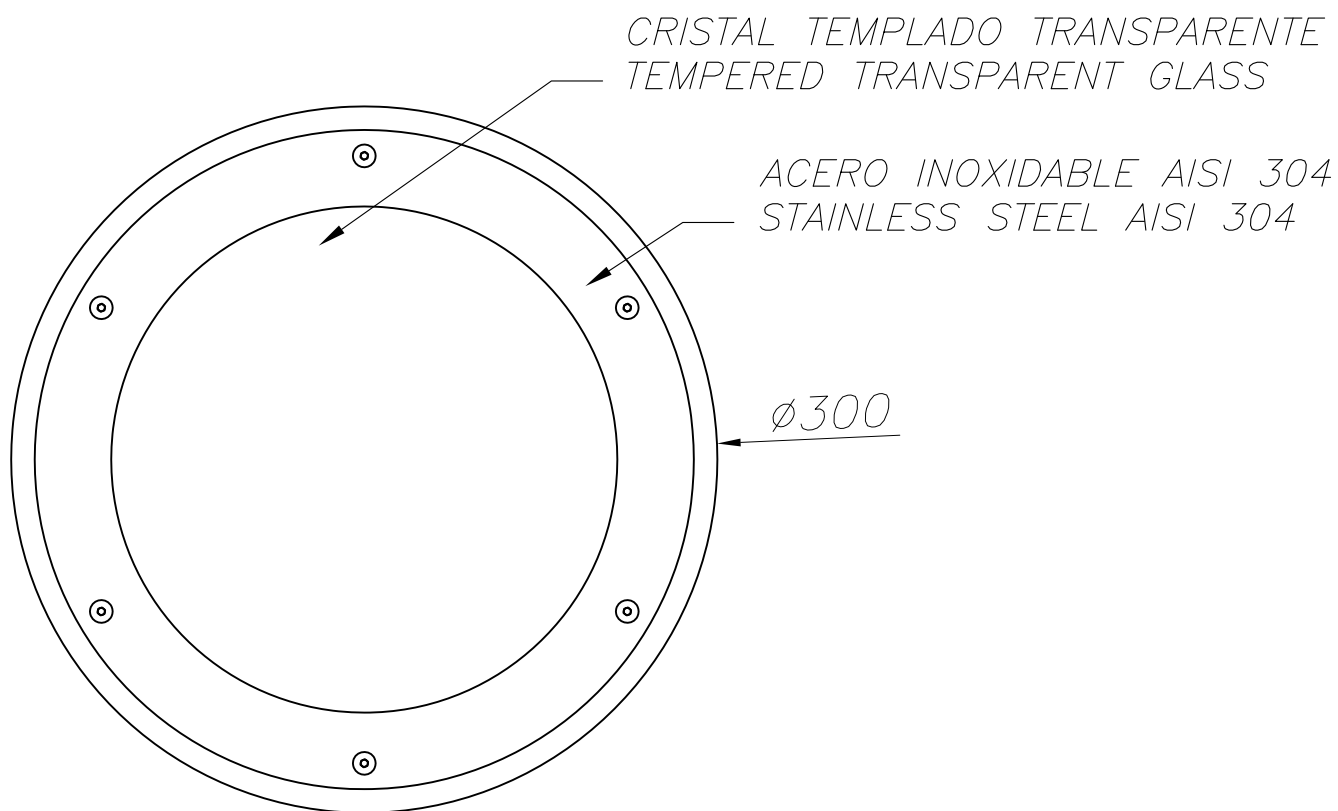
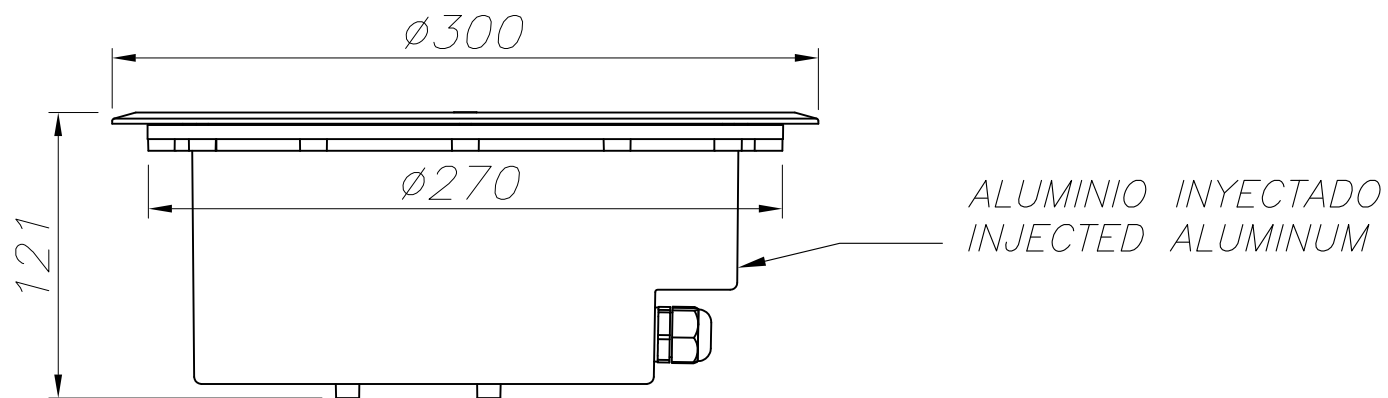


C Halfplanes

180.0 — 0.0
270.0 — 90.0

ULOR 0.00 %
DLOR 80.29 %
RN 0.00 %





CAJA DE EMPOTRAR
FLUSH FITTING BOX

