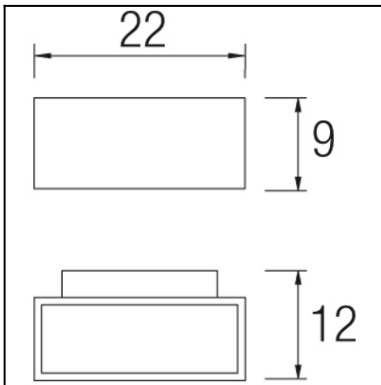


The photograph may not match the reference exactly. Please read the product description to identify the finish.



TECHNICAL CHARACTERISTICS

Type:	Wall fixture
IP Protection degrees:	IP65
IK Protection degrees:	IK04
Light source 1:	1 x R7s MAX 150W Maximum lamp length: 78.00 mm
Total power consumption (W):	150
Voltage / Frequency:	230V/50-60Hz
Warranty (Years):	2
Units per box:	4
Net Weight (Kg):	1.19
EAN:	8435111077917



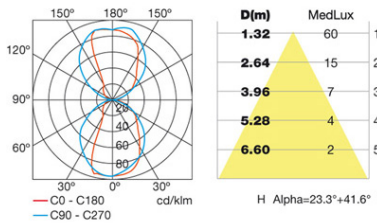
MATERIALS / FINISHES

Structure material: Injected aluminium

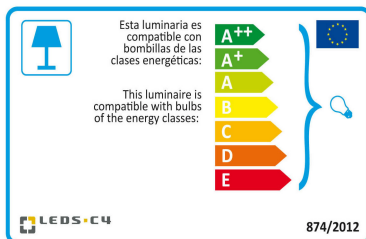
Diffuser material: Glass

Structure finish: White

Diffuser finish: Matt



Download photometric file .ldt / .ies

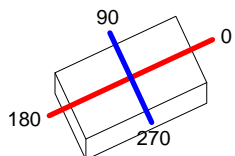


Click on image to download energy label

Luminaire		Measur.		Lamp		
Code	05-9229	Code	05-9229-34-37	Code	QT-DE12	
Name	AFRODITA	Name	AFRODITA	Number	1	
Line	Eulumdat	Date	29-04-1994	Position		
Efficiency	41.94%	Coordinate system	CG	Total Flux	2500.00 lm	
Maximum value	240.50 cd	Position	C=210.00 G=5.00	Asymmetrical		
Rectangular Luminaire	Length	120 mm	Width	219 mm	Height	219 mm
Rectangular Luminous Area	Length	68 mm	Width	200 mm	Height	1 mm
Horizontal Luminous Area	0.013600 m2	Emitting area on Plane 180°		0.000068 m2		
Emitting area on Plane 0°	0.000068 m2	Emitting area on Plane 270°		0.000200 m2		
Emitting area on Plane 90°	0.000200 m2	Glare area at 76°		0.003356 m2		
Symmetry Type	Asymmetrical	Maximum Gamma Angle		180		
Measurement Distance	0.00	Measurement Flux		2500.00 lm		
Operator		Source voltage				
Temperature	25.00 °C	Source current				
Humidity	60.00 %	Photocell				
Notes						

Luminaire Lamps						
Line	Code	Name	Flux [lm]	Pow. [W]	Q.ty	
Eulumdat	QT-DE12	QT-DE12 - 150.00 W	2500.00	150.00	1	
C.I.E.	54 84 97 50 42	D DIN 5040				
F UTE	0.21 D + 0.21 T	B NBN	C41	BZ 3 / 0.8 / BZ 4		

120mm x 219mm



C Halfplanes

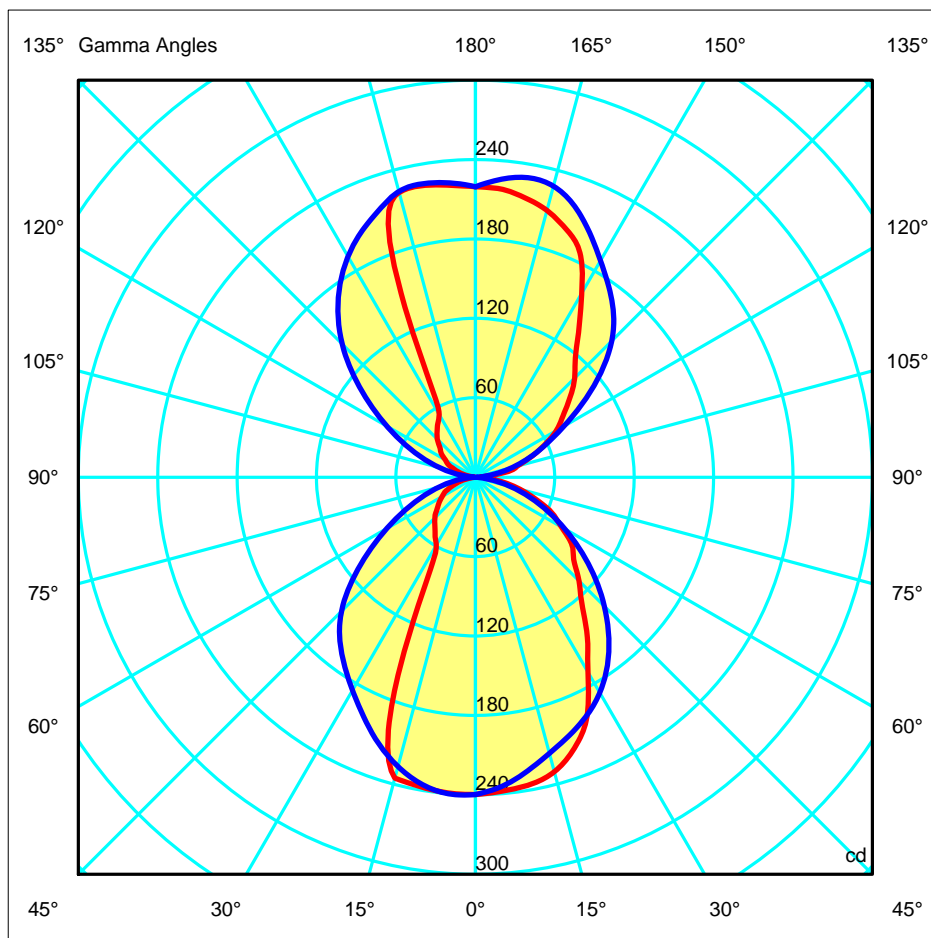
180.0 — 0.0 (Red line)

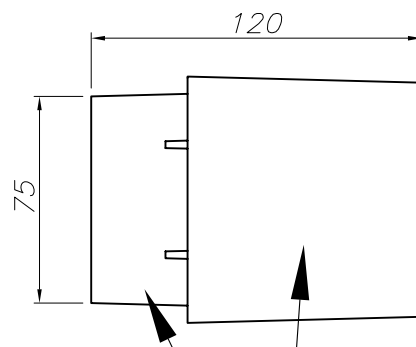
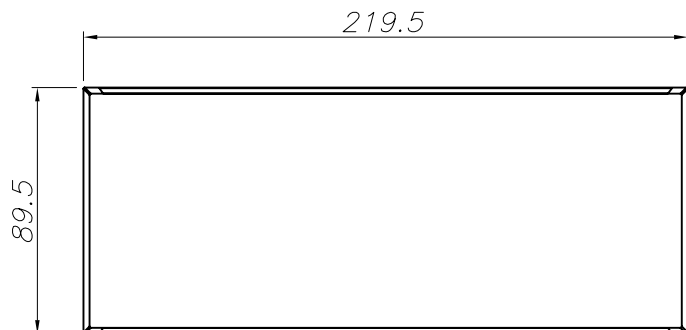
270.0 — 90.0 (Blue line)

ULOR 21.13 %

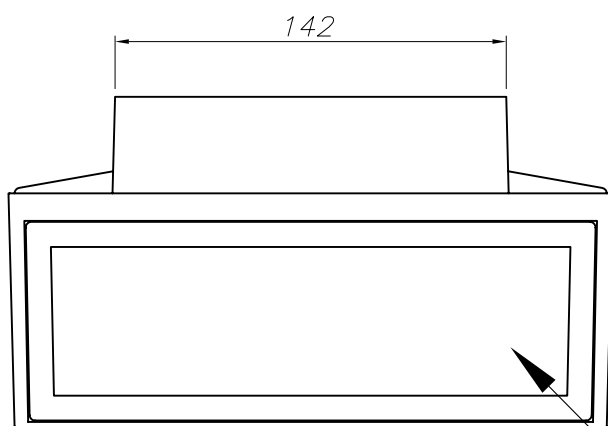
DLOR 20.81 %

RN 50.39 %

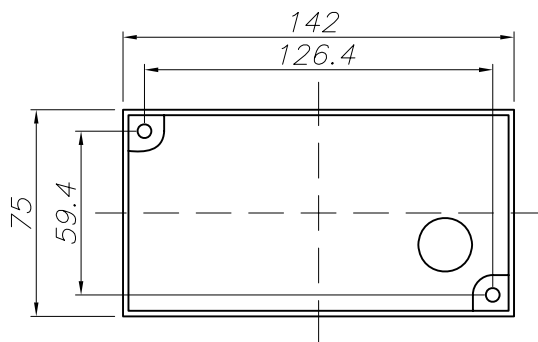




ALUMINIO INYECTADO
INJECTED ALUMINUM



CRISTAL SATINADO
SATIN GLASS



PLANTILLA DE INSTALACIÓN
INSTALLATION TEMPLATE



LEDs·cu

OUTDOOR

05-9229

