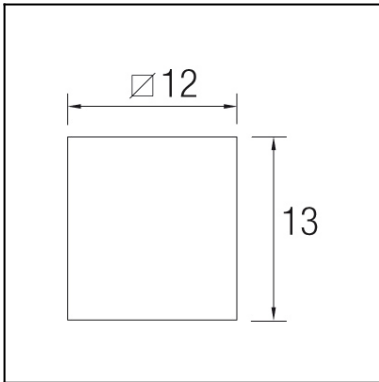
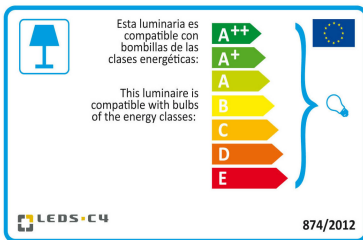




The photograph may not match the reference exactly. Please read the product description to identify the finish.



[Download photometric file .ldt / .ies](#)



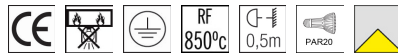
[Click on image to download energy label](#)

Description

Straight edged light unit. Satinished glass diffuser with body produced in AISI 316 stainless steel. If properly maintained it is suitable for marine and coastal environments. Compatible with LED, compact fluorescent and halogen lamps.

TECHNICAL CHARACTERISTICS

Type:	Ceiling fixture
IP Protection degrees:	IP44
IK Protection degrees:	IK05
Light source 1:	1 x E27 max. 50W Maximum lamp length: 98.00 mm Maximum lamp diameter: 97.00 mm
Voltage / Frequency:	220-240V/50-60Hz
Warranty (Years):	2
Units per box:	4
Net Weight (Kg):	0.775
EAN:	8435111088760



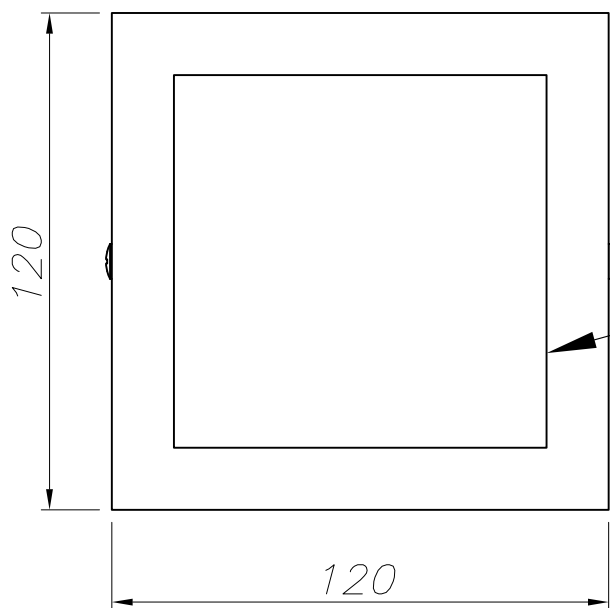
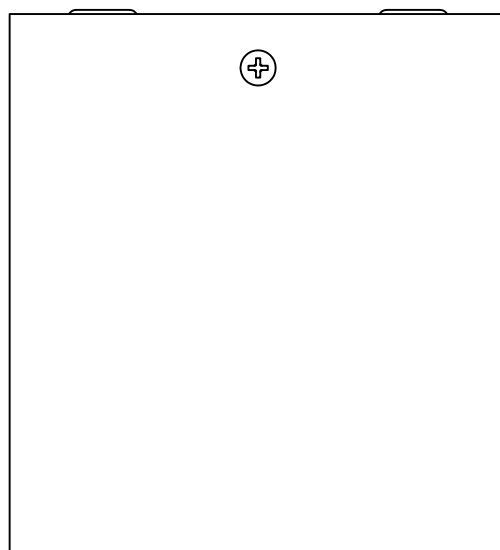
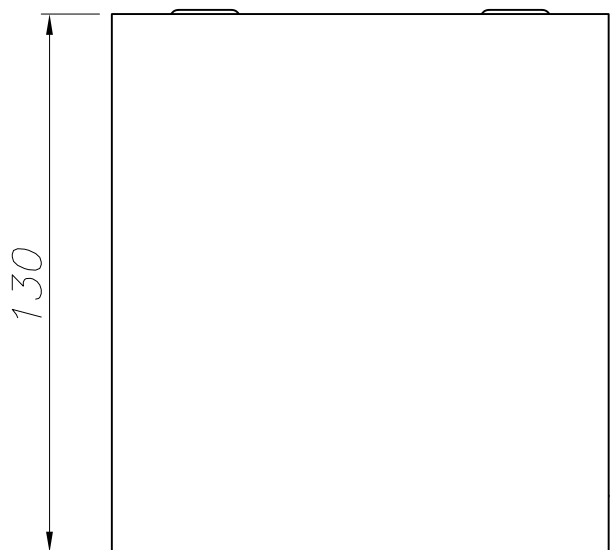
MATERIALS / FINISHES

Structure material: Stainless steel AISI316

Diffuser material: Glass

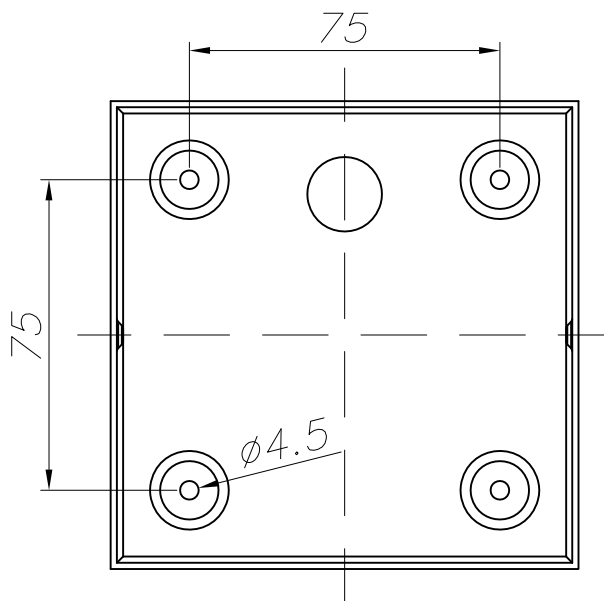
Structure finish: Polished

Diffuser finish: Matt



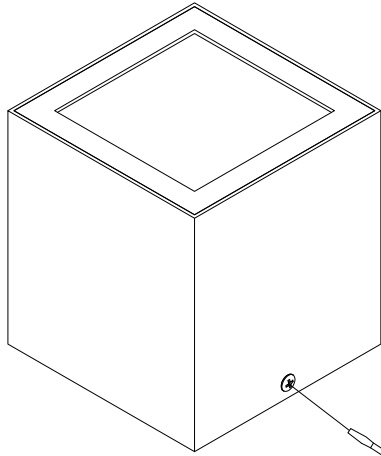
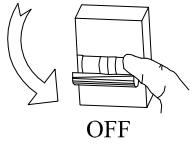
ACERO INOXIDABLE AISI 316
STAINLESS STEEL AISI 316

CRISTAL MATE
MATT GLASS



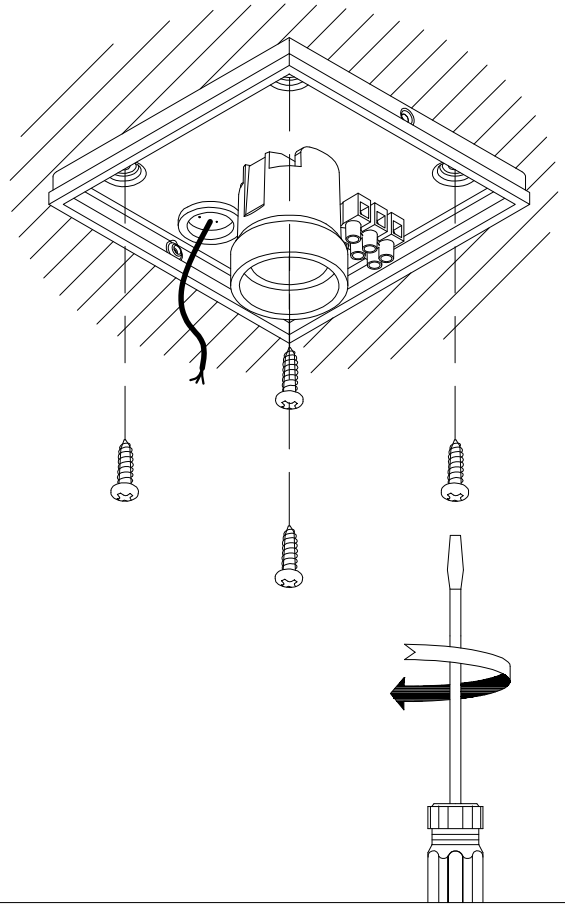
PLANTILLA DE INSTALACIÓN
INSTALLATION TEMPLATE

①

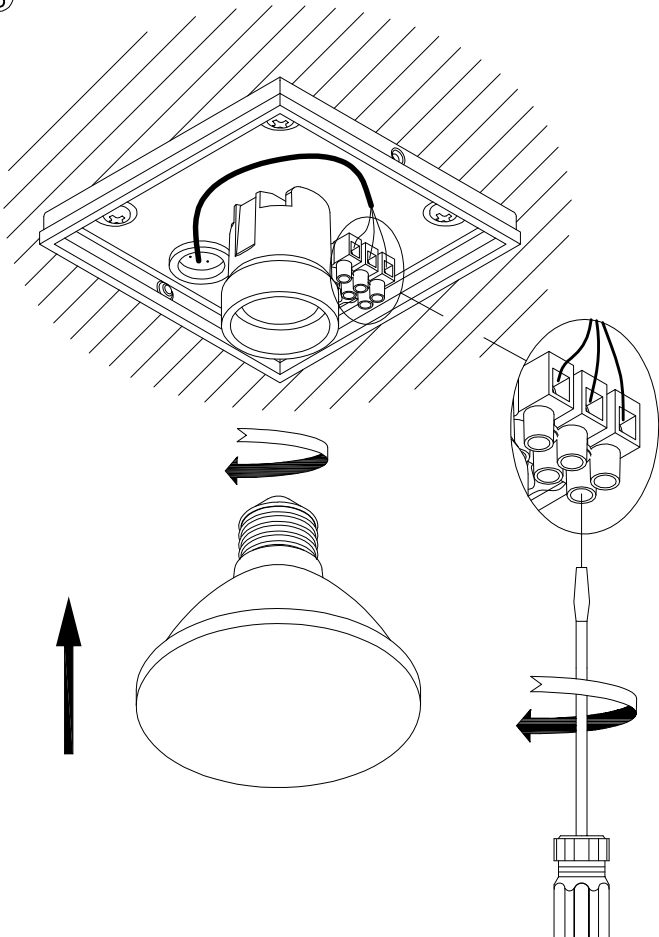


X2 PCS

②



③



④

