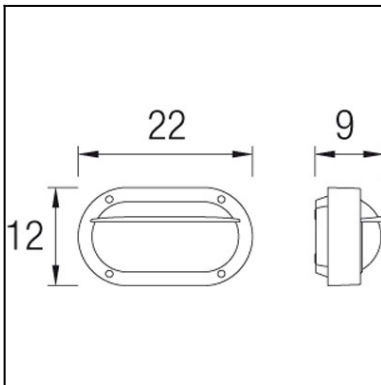


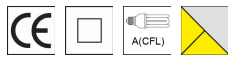


The photograph may not match the reference exactly. Please read the product description to identify the finish.



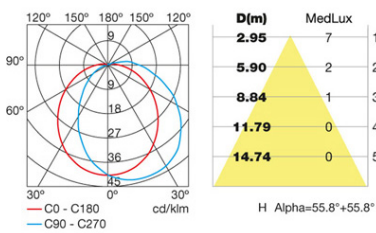
### TECHNICAL CHARACTERISTICS

Type:	Wall fixture
IP Protection degrees:	IP65
IK Protection degrees:	IK10
Light source 1:	1 x E27 max. 16W Maximum lamp length: 145.00 mm Maximum lamp diameter: 60.00 mm
Total power consumption (W):	16
Voltage / Frequency:	220-240V/50-60Hz
Warranty (Years):	2
Units per box:	12
Net Weight (Kg):	0.365
EAN:	8435111088920

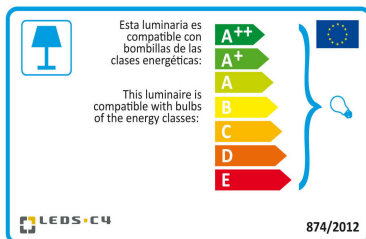


### MATERIALS / FINISHES

<b>Structure material:</b>	Polypropylene	<b>Diffuser material:</b>	Polycarbonate
<b>Structure finish:</b>	Urban grey	<b>Diffuser finish:</b>	Matt



Download photometric file .ldt / .ies

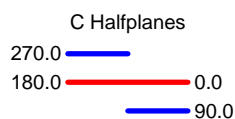
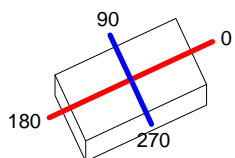


Click on image to download energy label

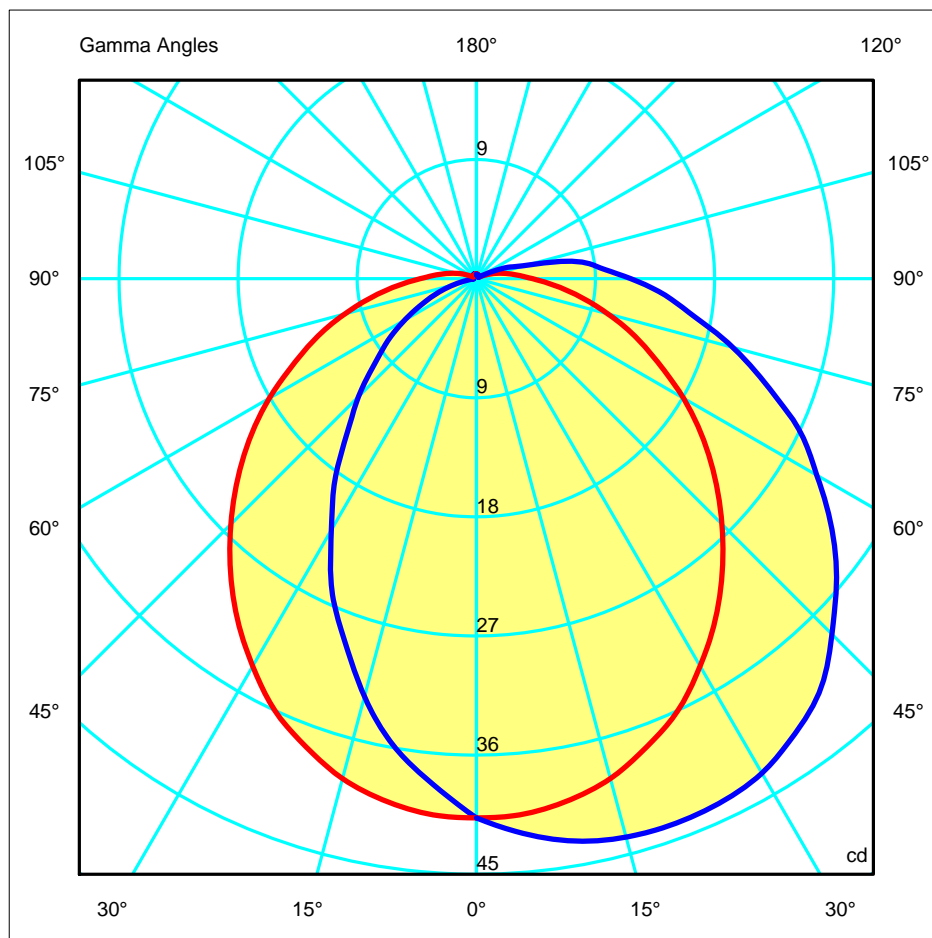
<b>Luminaire</b>		<b>Measur.</b>		<b>Lamp</b>		
Code	05-9544	Code	05-9544	Code	GENIE ESAVER 18W/827	
Name	Aplique 18W fluor E27 dif opal	Name	Aplique 18W fluor E27 dif opal	Number	1	
Line	Eulumdat	Date	15-11-2011	Position		
Efficiency	11.62%	Coordinate system	CG	Total Flux	1100.00 lm	
Maximum value	43.82 cd	Position	C=90.00 G=20.00	Sym. on planes	270-90	
Rectangular Luminaire	Length	120 mm	Width	220 mm	Height	90 mm
Rectangular Luminous Area	Length	62 mm	Width	180 mm	Height	25 mm
Horizontal Luminous Area	0.011160 m2	Emitting area on Plane 180°	0.001550 m2			
Emitting area on Plane 0°	0.004500 m2	Emitting area on Plane 270°	0.004500 m2			
Emitting area on Plane 90°	0.004500 m2	Glare area at 76°	0.004204 m2			
Symmetry Type	Sym. on planes 270-90	Maximum Gamma Angle	180			
Measurement Distance	0.00	Measurement Flux	1100.00 lm			
Operator	Asselum T2	Source voltage				
Temperature	25.00 °C	Source current				
Humidity	60.00 %	Photocell				
Notes						

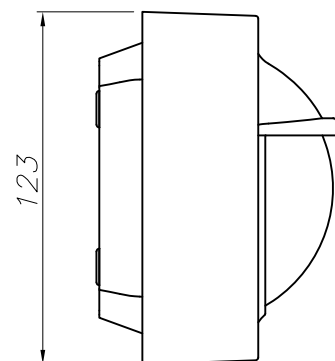
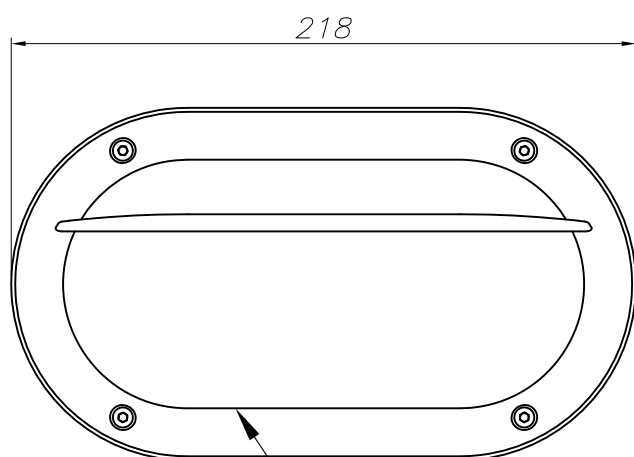
Luminaire Lamps					
Line	Code	Name	Flux [lm]	Pow. [W]	Q.ty
Eulumdat	GENIE ESAVER 18W/827	GENIE ESAVER 18W/827 - 18.00 W	1100.00	18.00	1
C.I.E.	44 73 90 94 12	D DIN 5040	A31		
F UTE	0.11 E + 0.01 T	B NBN	BZ 5		

120mm x 220mm

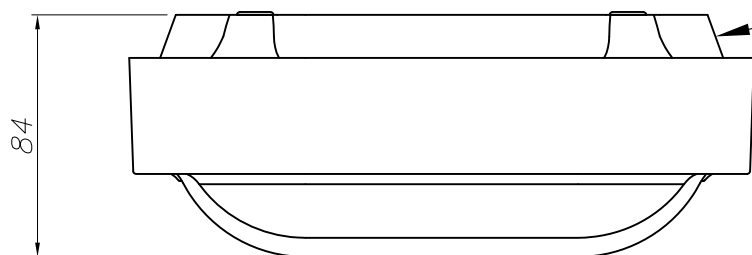


ULOR      0.70 %  
 DLOR     10.92 %  
 RN        6.04 %

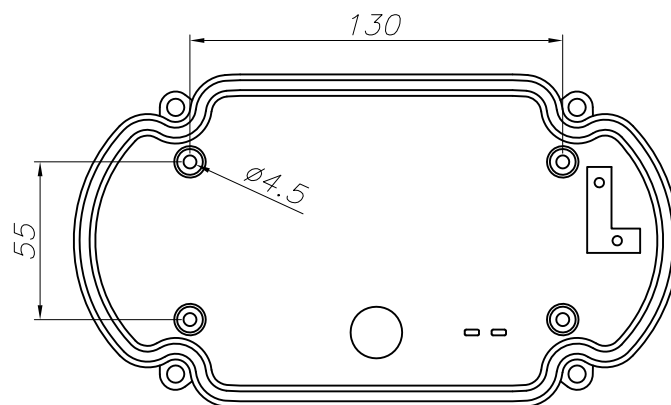




PC SEMITRASPARENTE MATE  
SEMISTRANSPIRENT MATT PC



POLIPROPILENO  
POLYPROPYLENE



PLANTILLA DE INSTALACIÓN  
INSTALLATION TEMPLATE

