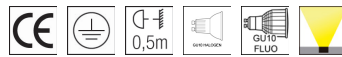
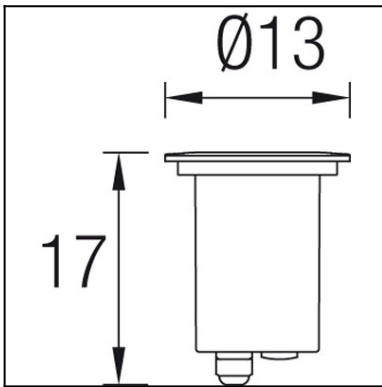


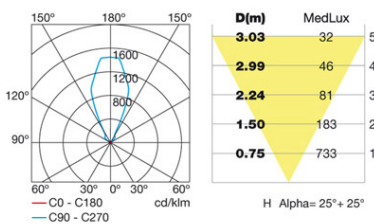

TECHNICAL CHARACTERISTICS

Type:	UPLIGHT RECESSED
IP Protection degrees:	IP67
IK Protection degrees:	IK08
Recessed in-ground suitable for pedestrian crossing:	Si
Light source 1:	1 x GU10 max. 50W Maximum lamp length: 80.00 mm
Voltage / Frequency:	220-240V/50-60Hz
Warranty (Years):	2
Units per box:	12
Net Weight (Kg):	0.69
EAN:	8435111088777

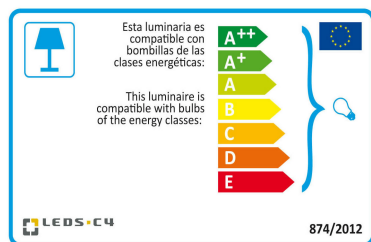
The photograph may not match the reference exactly. Please read the product description to identify the finish.


MATERIALS / FINISHES

Structure material:	Technopolymer	Diffuser material:	Glass
Structure finish:	Urban grey	Diffuser finish:	Tempered



Download photometric file .ldt / .ies

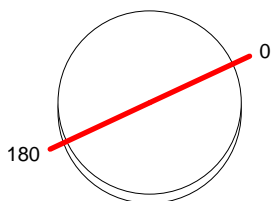


Click on image to download energy label

Luminaire		Measur.		Lamp	
Code	55-9567-Z5-37	Code	55-9567-Z5-37	Code	HALOPAR 16 50W
Name	HALOPAR 16 50W Aluminium-Reflektor	Name	HALOPAR 16 50W Aluminium-Reflektor	Number	1
Line	Eulumdat	Date	14-02-2014	Position	
Efficiency	100.00%	Coordinate system	CG	Total Flux	525.00 lm
Maximum value	1202.32 cd	Position	C=0.00 G=1.00	Rotosymmetrical	
Round Luminaire	Diam.	51 mm	Height	53 mm	
Round Luminous Area	Diam.	51 mm	Height	0 mm	
Horizontal Luminous Area	0.002043 m2	Emitting area on Plane 180°	0.000000 m2		
Emitting area on Plane 0°	0.000000 m2	Emitting area on Plane 270°	0.000000 m2		
Emitting area on Plane 90°	0.000000 m2	Glare area at 76°	0.000494 m2		
Symmetry Type	Rotosymmetrical	Maximum Gamma Angle	180		
Measurement Distance	0.00	Measurement Flux	525.20 lm		
Operator		Source voltage			
Temperature	25.00 °C	Source current			
Humidity	60.00 %	Photocell			
Notes					

Luminaire Lamps						
Line	Code	Name	Flux [lm]	Pow. [W]	Q.ty	
Eulumdat	HALOPAR 16 50W	HALOPAR 16 50W - 50.00 W	525.00	50.00	1	
C.I.E.	82 94 97 100 100	D DIN 5040	A60			
F UTE	1.00 B	B NBN	BZ 1			

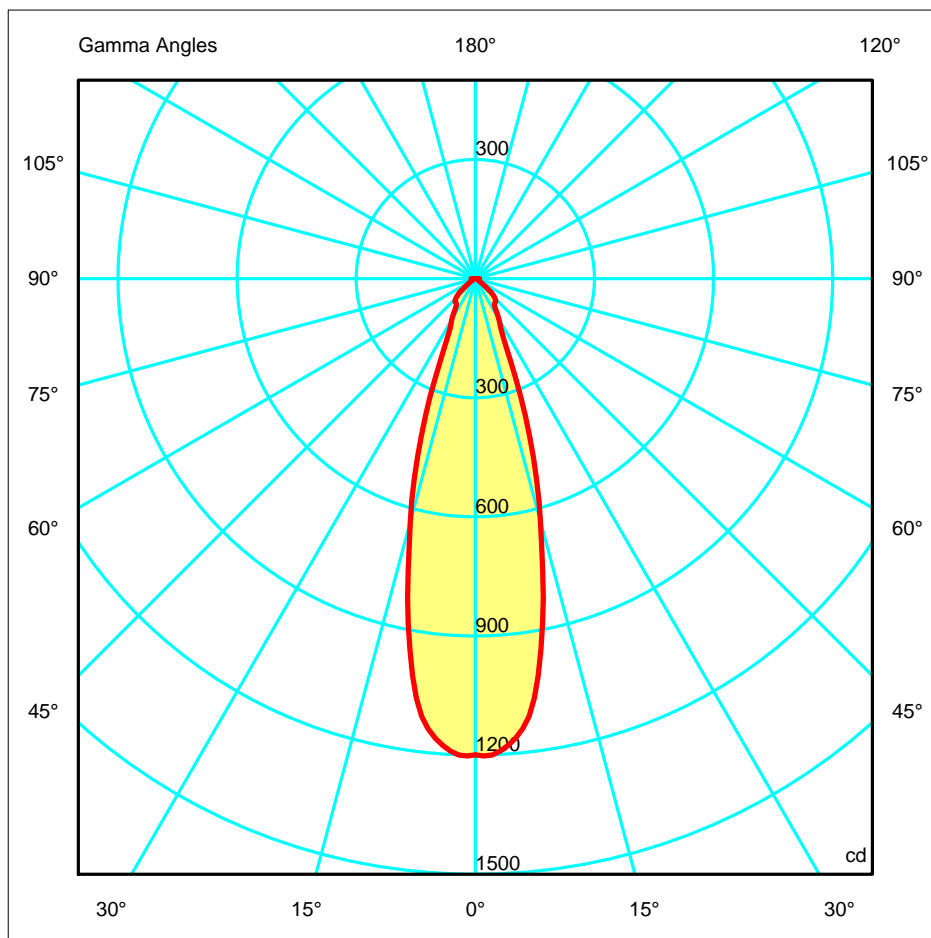
Diam=51mm

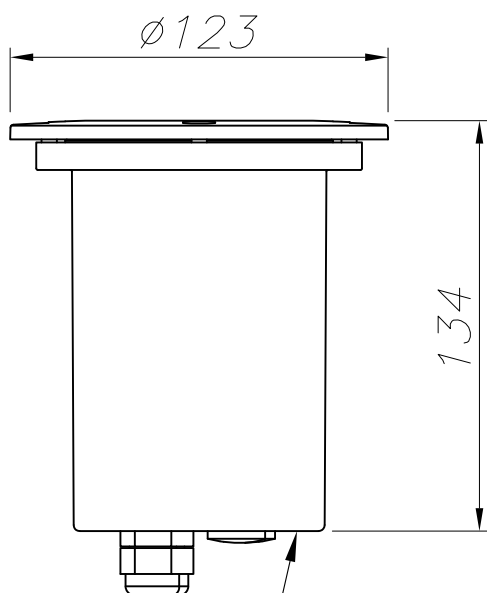


C Halfplanes

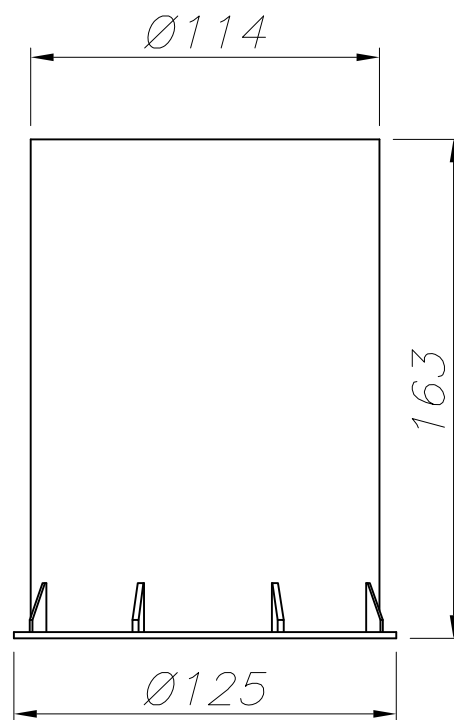
180.0 — 0.0

ULOR 0.11 %
DLOR 99.89 %
RN 0.11 %

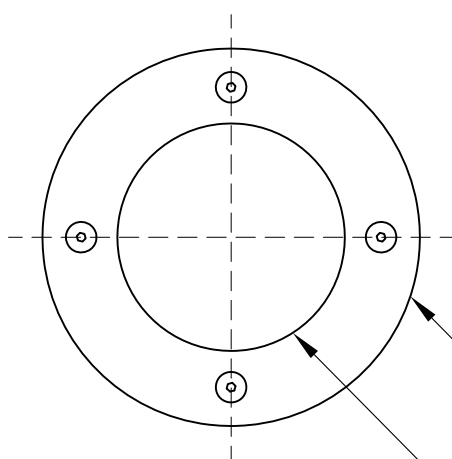




PP REFORZADO CON
FIBRA DE VIDRIO
FIBERGLASS REINFORCED PP



CAJA DE EMPOTRAR
FLUSH FITTING BOX



PP REFORZADO FIBRA DE VIDRIO,
ACABADO MATE
FIBERGLASS REINFORCED PP, MATT FINISH

CRISTAL TEMPLADO TRANSPARENTE
TEMPERED TRANSPARENT GLASS

