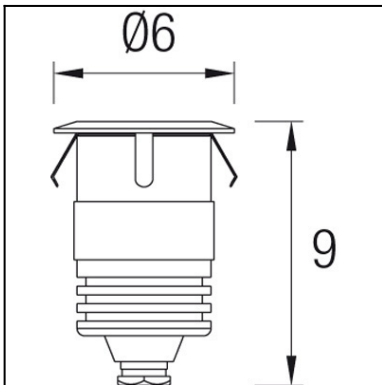


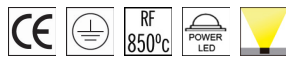


The photograph may not match the reference exactly. Please read the product description to identify the finish.



TECHNICAL CHARACTERISTICS

Type:	UPLIGHT RECESSED
IP Protection degrees:	IP67
IK Protection degrees:	IK10
Recessed in-ground suitable for pedestrian crossing:	Si
Light source 1:	1 x LED Cree 1W Neutral white - 4000K 107 lm ^(N) CRI 75
Total power consumption (W):	2.2W
Voltage / Frequency:	100-240V/50-60Hz
Warranty (Years):	2
Option to extend the guarantee (Years):	5
Units per box:	24
Net Weight (Kg):	0.4
EAN:	8435111089927

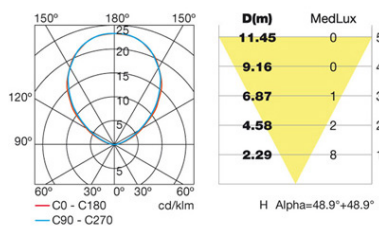


MATERIALS / FINISHES

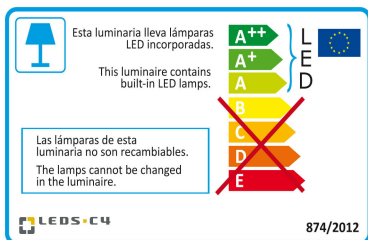
Structure material:	Anodized aluminium	Diffuser material:	Glass
Structure finish:	Anodized	Diffuser finish:	Tempered

GEAR

Multi-voltage electronic gear included (100-240V / 50-60Hz)



Download photometric file .ldt / .ies



Click on image to download energy label

Lm^(N): Nominal flow of light in actual working conditions. Its actual flow will depend on the environmental conditions and the efficiency of the optics and/or diffuser.

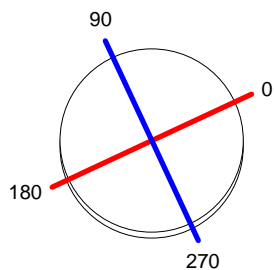
LEDS-C4 reserves the right to make the necessary technical changes they deem adequate, in order to improve the features of the product.

Please consult the sales team to clarify any doubt.

Luminaire		Measur.		Lamp	
Code	55-9620	Code	55-9620	Code	55-9620
Name	Downlight led	Name	Downlight led	Number	1
Line	Eulumdat	Date	17-11-2011	Position	
Efficiency	100.00%	Coordinate system	CG	Total Flux	52.29 lm
Maximum value	23.32 cd	Position	C=0.00 G=0.00	Double Symmetrical	
Round Luminaire	Diam.	62 mm	Height	4 mm	
Round Luminous Area	Diam.	26 mm	Height	0 mm	
Horizontal Luminous Area	0.000531 m2		Emitting area on Plane 180°	0.000000 m2	
Emitting area on Plane 0°	0.000000 m2		Emitting area on Plane 270°	0.000000 m2	
Emitting area on Plane 90°	0.000000 m2		Glare area at 76°	0.000128 m2	
Symmetry Type	Double Symmetrical		Maximum Gamma Angle	180	
Measurement Distance	0.00		Measurement Flux	52.29 lm	
Operator	Asselum T2		Source voltage		
Temperature	25.00 °C		Source current		
Humidity	60.00 %		Photocell		
Notes					

Luminaire Lamps					
Line	Code	Name	Flux [lm]	Pow. [W]	Q.ty
Eulumdat	55-9620	55-9620 - 2.00 W	52.29	2.00	1
C.I.E.	57 87 98 100 100	D DIN 5040			
F UTE	1.00 D	B NBN		A40 BZ 3	

Diam=62mm



C Halfplanes

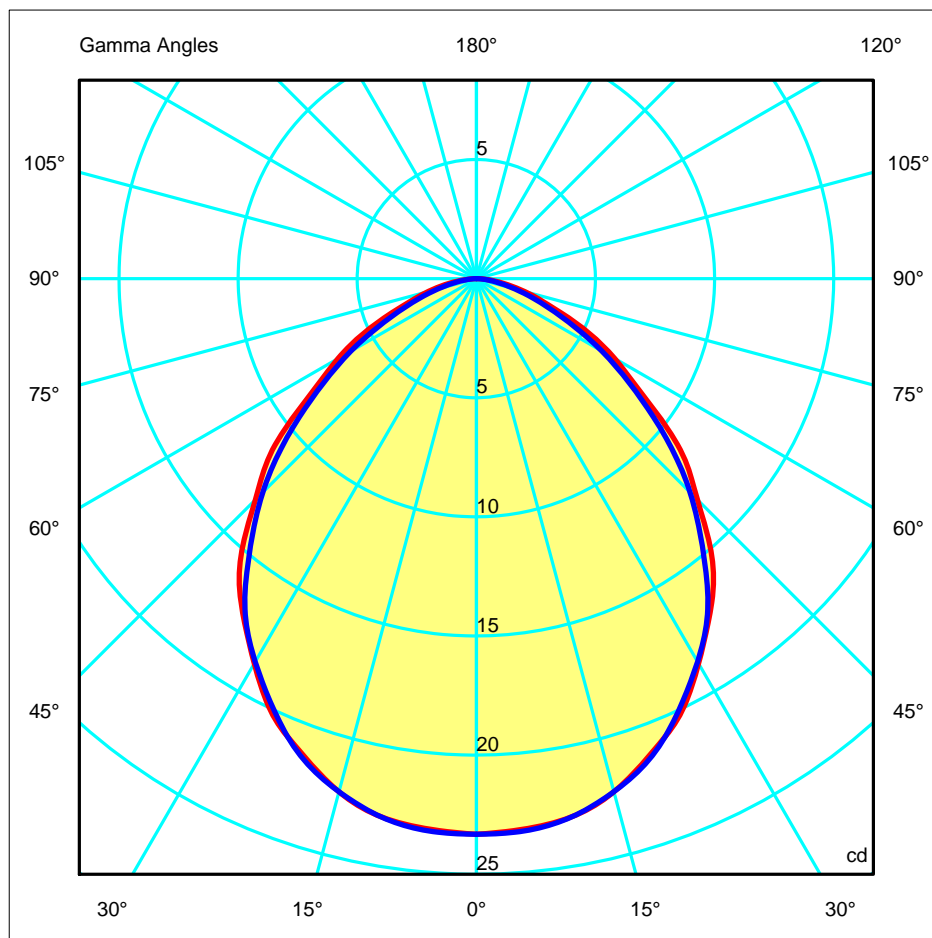
180.0 — 0.0 (Red line)

270.0 — 90.0 (Blue line)

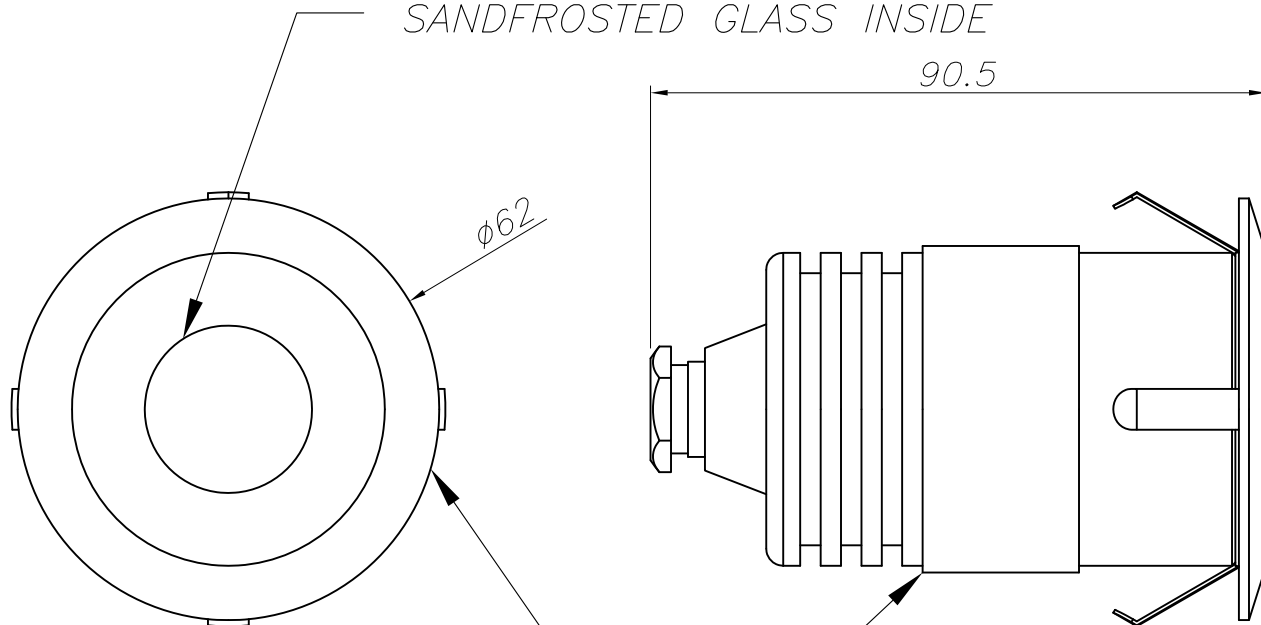
ULOR 0.10 %

DLOR 99.90 %

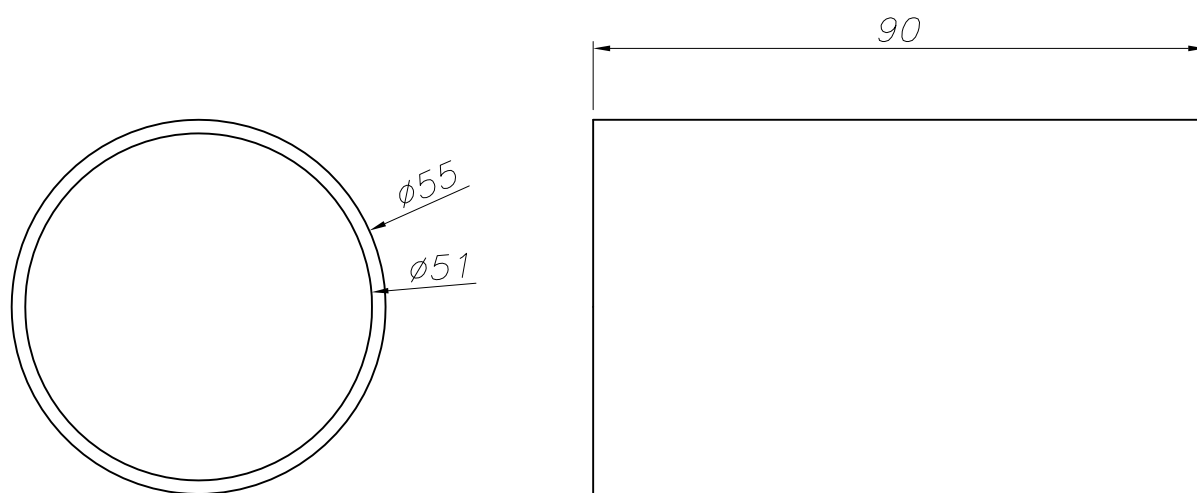
RN 0.10 %



CRISTAL ARENADO INTERIOR
SANDFROSTED GLASS INSIDE



ALUMINIO DE ALTA PUREZA
HIGH QUALITY ALUMINIUM



CAJA DE EMPOTRAR
FLUSH FITTING BOX

