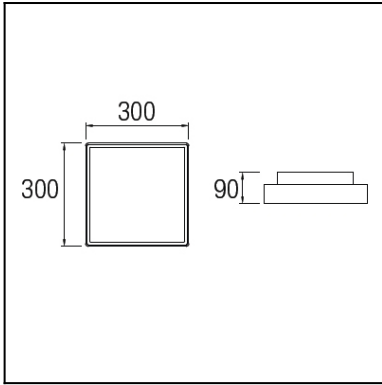
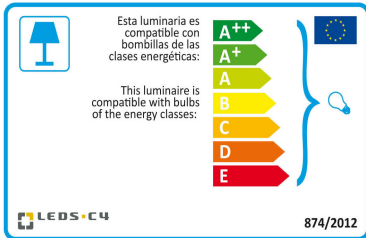




The photograph may not match the reference exactly. Please read the product description to identify the finish.



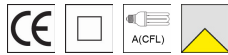
[Download photometric file .ldt /.ies](#)



[Click on image to download energy label](#)

TECHNICAL CHARACTERISTICS

Type:	Ceiling fixture
IP Protection degrees:	IP65
IK Protection degrees:	IK10
Light source 1:	2 x E27 max. 18W Maximum lamp length: 160.00 mm Maximum lamp diameter: 50.00 mm
Voltage / Frequency:	220-240V/50-60Hz
Warranty (Years):	2
Units per box:	6
Net Weight (Kg):	1.02
EAN:	8435111089903



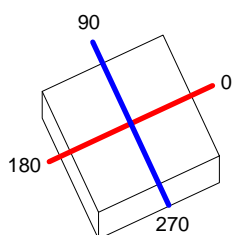
MATERIALS / FINISHES

Structure material:	ABS	Diffuser material:	Polycarbonate
Structure finish:	Grey	Diffuser finish:	Opal

Luminaire		Measur.		Lamp		
Code	15-9619-34-M1	Code	15-9619-34-M1	Code	DLX EL FCY 14W827E27	
Name	Aplique KOSSEL 2x14W E27 opal	Name	Aplique KOSSEL 2x14W E27 opal	Number	2	
Line	Eulumdat	Date	09-05-2012	Position		
Efficiency	17.16%	Coordinate system	CG	Total Flux	1600.00 lm	
Maximum value	93.16 cd	Position	C=60.00 G=5.00	Double Symmetrical		
Rectangular Luminaire	Length	293 mm	Width	293 mm	Height	97 mm
Rectangular Luminous Area	Length	268 mm	Width	268 mm	Height	1 mm
Horizontal Luminous Area	0.071824 m2	Emitting area on Plane 180°		0.000268 m2		
Emitting area on Plane 0°	0.000268 m2	Emitting area on Plane 270°		0.000268 m2		
Emitting area on Plane 90°	0.000268 m2	Glare area at 76°		0.017636 m2		
Symmetry Type	Double Symmetrical	Maximum Gamma Angle	90			
Measurement Distance	0.00	Measurement Flux	1600.00 lm			
Operator	Asselum T2	Source voltage				
Temperature	25.00 °C	Source current				
Humidity	60.00 %	Photocell				
Notes						

Luminaire Lamps						
Line	Code	Name	Flux [lm]	Pow. [W]	Q.ty	
Eulumdat	DLX EL FCY 14W827E27	DLX EL FCY 14W827E27 - 14.00 W	800.00	14.00	2	
C.I.E.	46 78 95 100 17	D DIN 5040	A30			
F UTE	0.17 E	B NBN	BZ 5			

293mm x 293mm



C Halfplanes

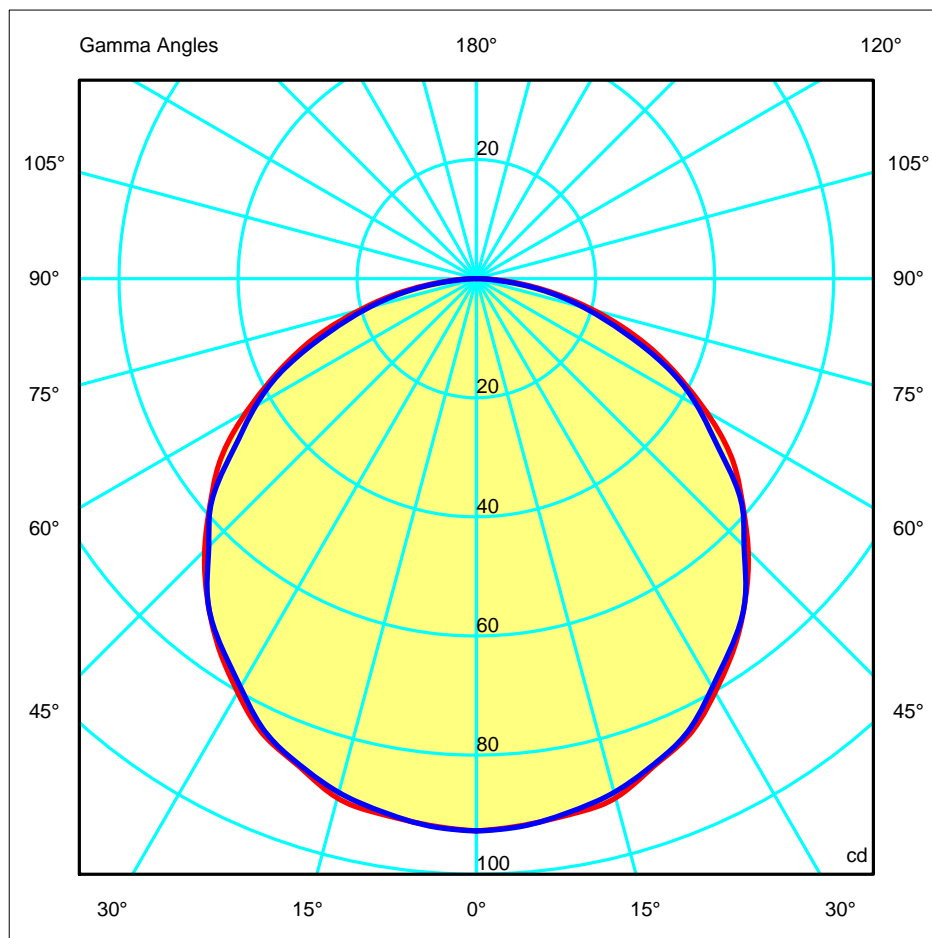
180.0 — 0.0

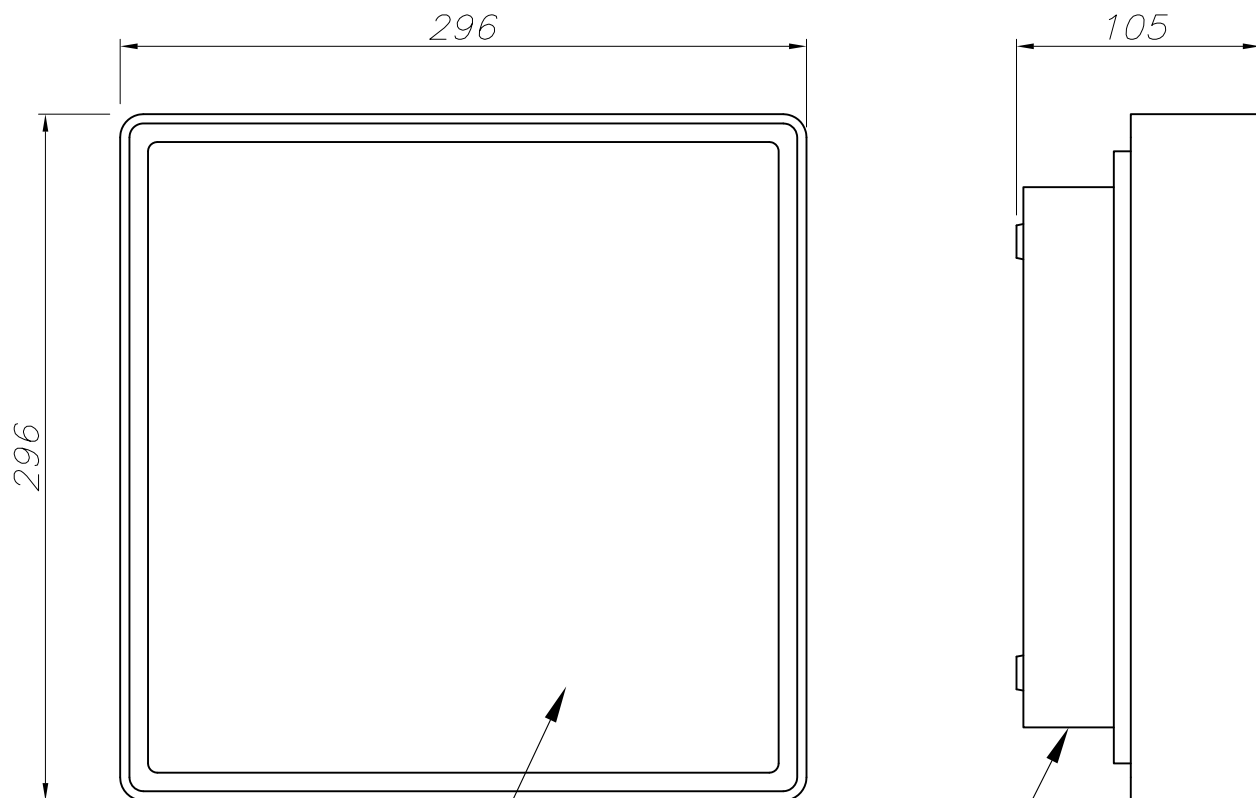
270.0 — 90.0

ULOR 0.00 %

DLOR 17.16 %

RN 0.00 %

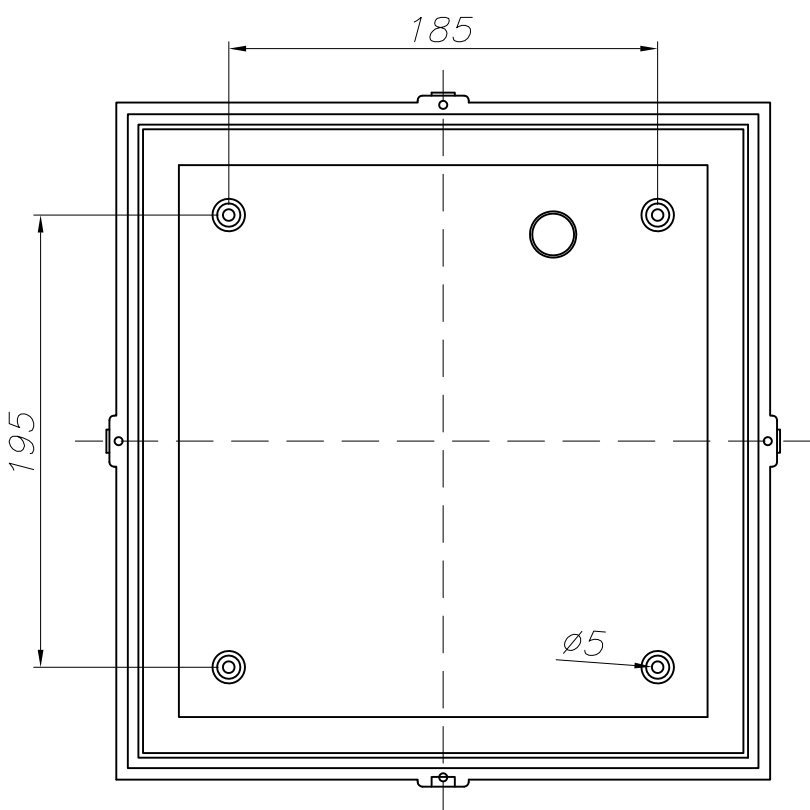




POLICARBONATO OPAL
OPAL POLYCARBONATE

ABS BLANCO
WHITE ABS

ABS PINTADO
PAINTED ABS



PLANTILLA DE INSTALACIÓN
INSTALLATION TEMPLATE

