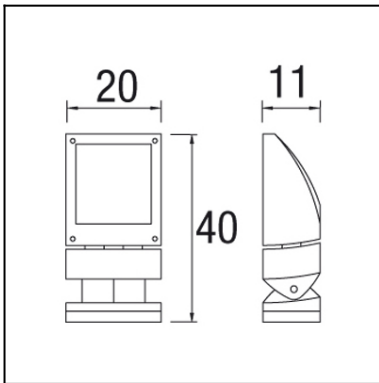


The photograph may not match the reference exactly. Please read the product description to identify the finish.



Description

Spotlight/floodlight with body produced in injected aluminium, with a tempered glass diffuser. Available for G12 HID (35W, 70W and 150W) light source and for compact fluorescent lamps (2 x GX24q-3 26W). Electrical components included. Discharge version includes 2 reflectors of 16° and 60°. Finished in light grey. Rotatable.

TECHNICAL CHARACTERISTICS

Type:	Spotlight
Adjustable:	Adjustable $\pm 45^\circ$ on the horizontal axis.
IP Protection degrees:	IP65
IK Protection degrees:	IK08
Light source 1:	1 x G12 150W
Angle of the optics / Reflector:	60°, 16°
Voltage / Frequency:	220-240V/50-60Hz
Warranty (Years):	2
Units per box:	2
Net Weight (Kg):	4.21
EAN:	8435111088975

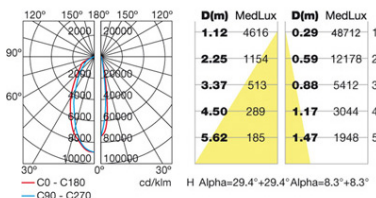


MATERIALS / FINISHES

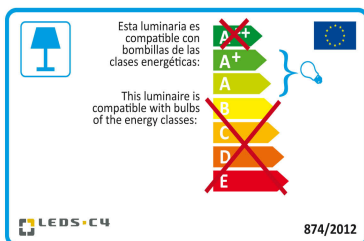
Structure material:	Injected aluminium	Diffuser material:	Glass
Structure finish:	Grey	Diffuser finish:	Tempered

GEAR

Gear included: Yes, electronic



Download photometric file .ldt / .ies



Click on image to download energy label

71-9291-34-34



Structure material:

Molten steel

Structure finish:

Grey

71-9292-34-34



Structure material:

Molten steel

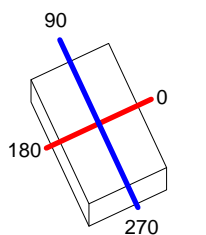
Structure finish:

Grey

Luminaire		Measur.		Lamp		
Code	05-9539 BRILLO	Code	05-9537 BRILLO	Code	CDM-T150W/830	
Name	Proyector 150W CDM-T brillo	Name	Proyector 150W CDM-T brillo	Number	1	
Line	Eulumdat	Date	14-11-2011	Position		
Efficiency	84.86%	Coordinate system	CG	Total Flux	14000.00 lm	
Maximum value	74350.28 cd	Position	C=0.00 G=0.00	Double Symmetrical		
Rectangular Luminaire	Length	320 mm	Width	200 mm	Height	110 mm
Round Luminous Area	Diam.	160 mm	Height	0 mm		
Horizontal Luminous Area	0.020106 m2	Emitting area on Plane 180°		0.000000 m2		
Emitting area on Plane 0°	0.000000 m2	Emitting area on Plane 270°		0.000000 m2		
Emitting area on Plane 90°	0.000000 m2	Glare area at 76°		0.004864 m2		
Symmetry Type	Double Symmetrical	Maximum Gamma Angle		180		
Measurement Distance	0.00	Measurement Flux		14000.00 lm		
Operator	Asselum T2	Source voltage				
Temperature	25.00 °C	Source current				
Humidity	60.00 %	Photocell				
Notes						

Luminaire Lamps						
Line	Code	Name	Flux [lm]	Pow. [W]	Q.ty	
Eulumdat	CDM-T150W/830	CDM-T150W/830 - 147.00 W	14000.00	147.00	1	
C.I.E.	80 96 100 100 85	D DIN 5040	A60			
F UTE	0.85 B	B NBN	BZ 1			

320mm x 200mm



C Halfplanes

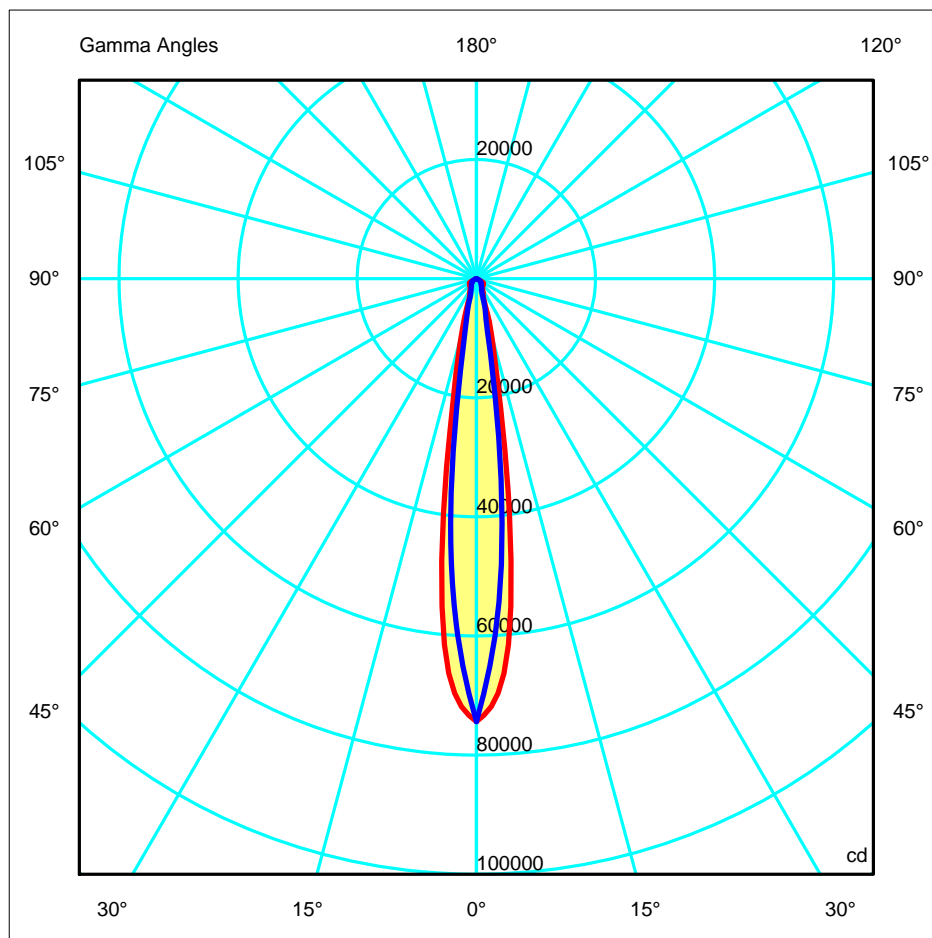
180.0 — 0.0

270.0 — 90.0

ULOR 0.00 %

DLOR 84.86 %

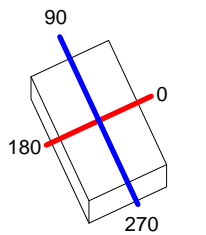
RN 0.01 %



Luminaire		Measur.		Lamp		
Code	05-9539 MATE	Code	05-9537 MATE	Code	CDM-T150W/830	
Name	Projector 150W CDM-T mate	Name	Projector 150W CDM-T mate	Number	1	
Line	Eulumdat	Date	14-11-2011	Position		
Efficiency	73.07%	Coordinate system	CG	Total Flux	14000.00 lm	
Maximum value	8919.20 cd	Position	C=0.00 G=0.00	Double Symmetrical		
Rectangular Luminaire	Length	320 mm	Width	200 mm	Height	110 mm
Round Luminous Area	Diam.	160 mm	Height	0 mm		
Horizontal Luminous Area	0.020106 m2	Emitting area on Plane 180°		0.000000 m2		
Emitting area on Plane 0°	0.000000 m2	Emitting area on Plane 270°		0.000000 m2		
Emitting area on Plane 90°	0.000000 m2	Glare area at 76°		0.004864 m2		
Symmetry Type	Double Symmetrical	Maximum Gamma Angle		180		
Measurement Distance	0.00	Measurement Flux		14000.00 lm		
Operator	Asselum T2	Source voltage				
Temperature	25.00 °C	Source current				
Humidity	60.00 %	Photocell				
Notes						

Luminaire Lamps						
Line	Code	Name	Flux [lm]	Pow. [W]	Q.ty	
Eulumdat	CDM-T150W/830	CDM-T150W/830 - 147.00 W	14000.00	147.00	1	
C.I.E.	70 93 100 100 73	D DIN 5040	A50			
F UTE	0.73 C	B NBN	BZ 2			

320mm x 200mm



C Halfplanes

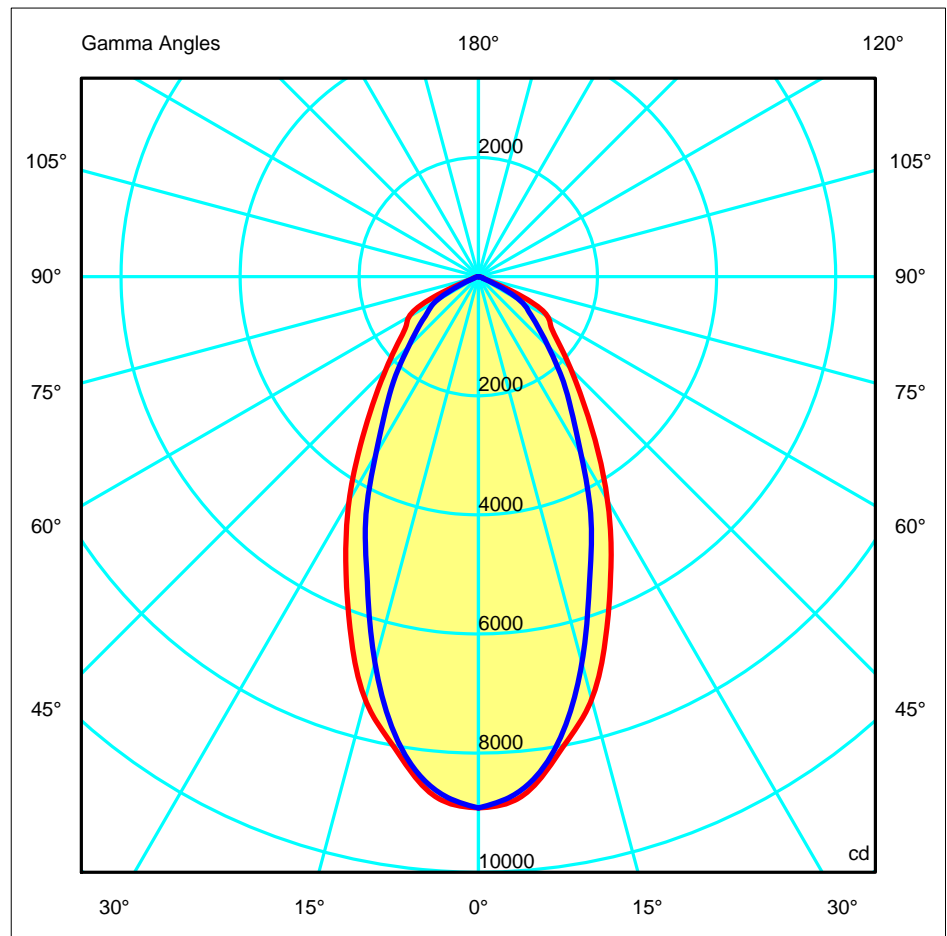
180.0 — 0.0

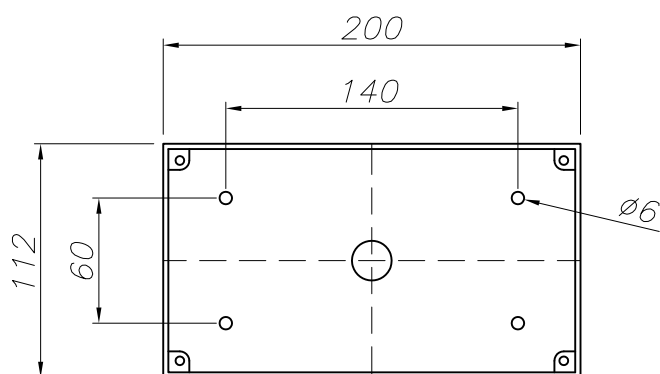
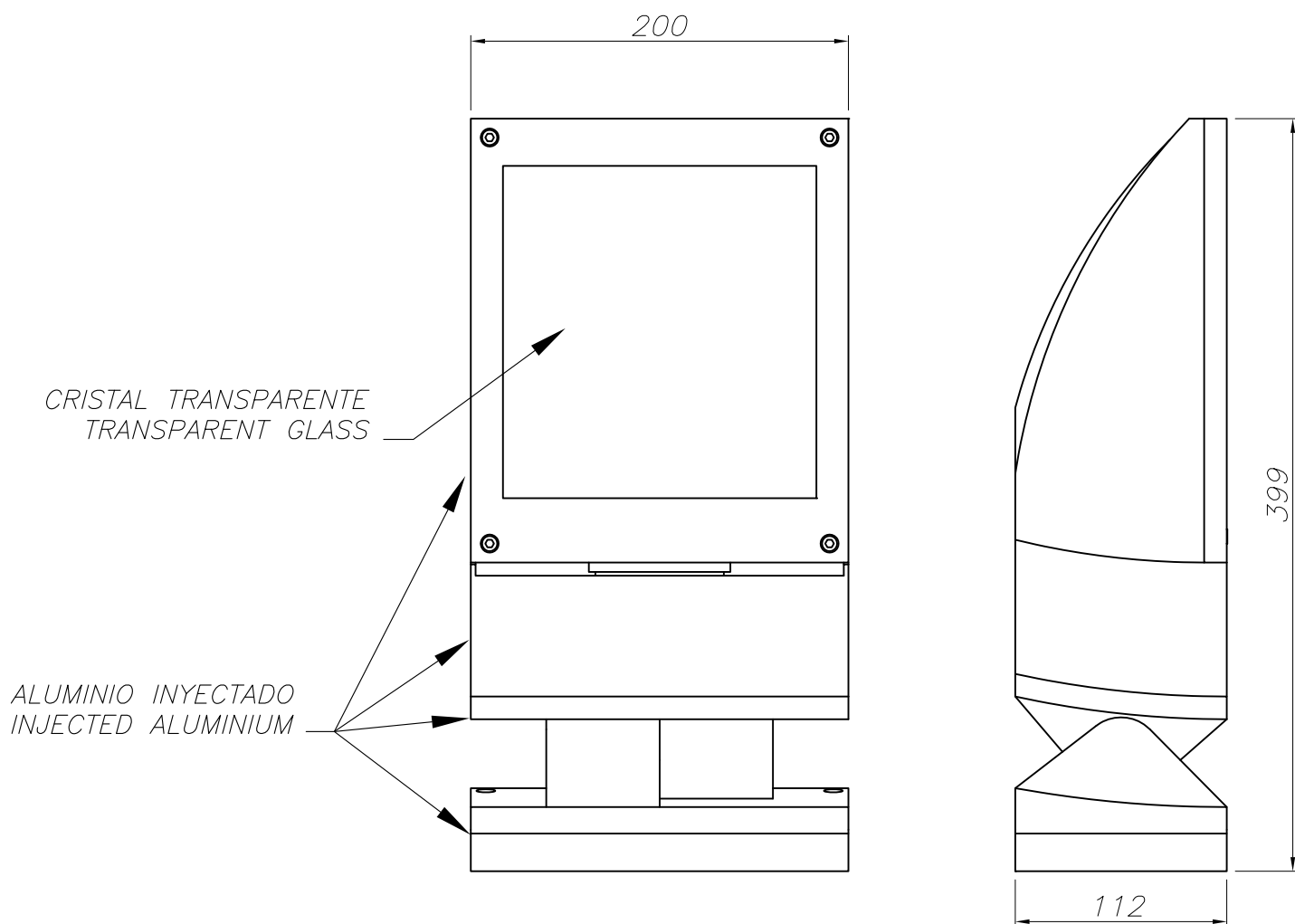
270.0 — 90.0

ULOR 0.01 %

DLOR 73.06 %

RN 0.01 %





PLANTILLA DE INSTALACIÓN
INSTALLATION TEMPLATE

