


**TECHNICAL CHARACTERISTICS**

Type:	Beacon
Adjustable:	Adjustable $\pm 45^\circ$ on the horizontal axis.
IP Protection degrees:	IP65
IK Protection degrees:	IK08
Light source 1:	1 x GU10 Max.50W Maximum lamp length: 80.00 mm
Voltage / Frequency:	220-240V/50-60Hz
Warranty (Years):	2
Units per box:	2
Net Weight (Kg):	2.885
EAN:	8435381400378

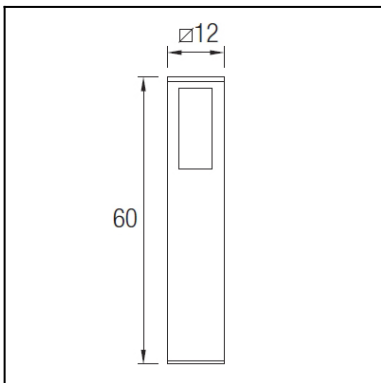

**MATERIALS / FINISHES**

**Structure material:** Extruded aluminium

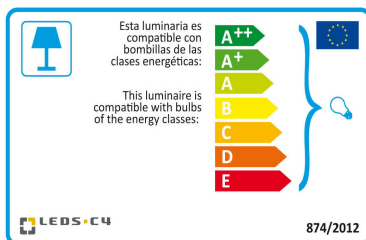
**Diffuser material:** Glass

**Structure finish:** Urban grey

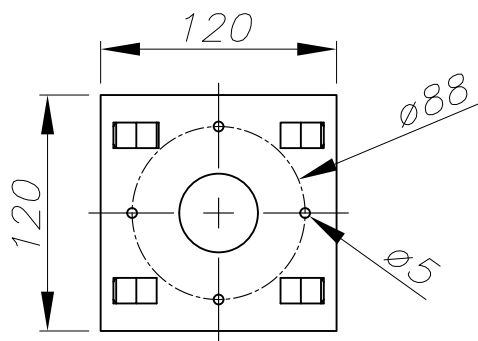
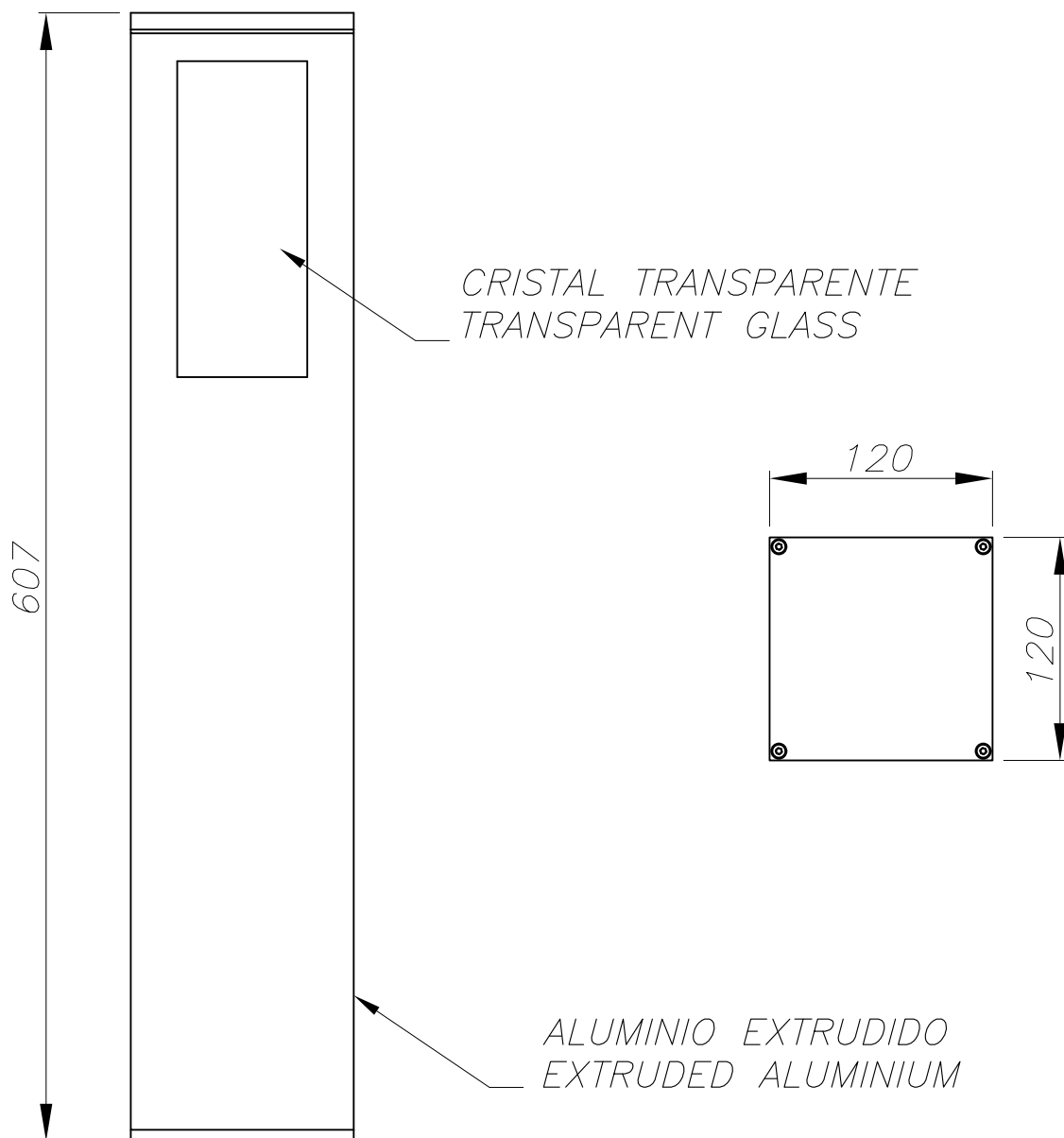
**Diffuser finish:** Transparent



[Download photometric file .ldt / .ies](#)



[Click on image to download energy label](#)



PLANTILLA DE INSTALACIÓN  
INSTALLATION TEMPLATE

