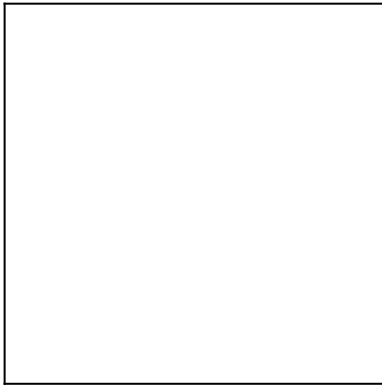
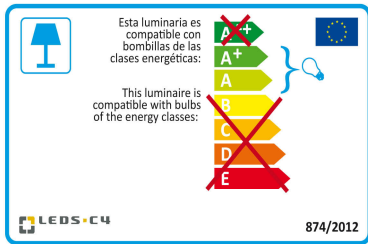




The photograph may not match the reference exactly. Please read the product description to identify the finish.



Download photometric file .ldt /.ies



Click on image to download energy label

TECHNICAL CHARACTERISTICS

Type:	UPLIGHT RECESSED
Adjustable:	Adjustable $\pm 15^\circ$ on the vertical axis
IP Protection degrees:	IP67
IK Protection degrees:	IK10
Light source 1:	1 x G12 150W
Total power consumption (W):	160
Angle of the optics / Reflector:	100°, 15°
Voltage / Frequency:	230V/50Hz
Warranty (Years):	2
Units per box:	1
Net Weight (Kg):	9.57
EAN:	8435111089743



MATERIALS / FINISHES

Structure material: Stainless steel AISI316

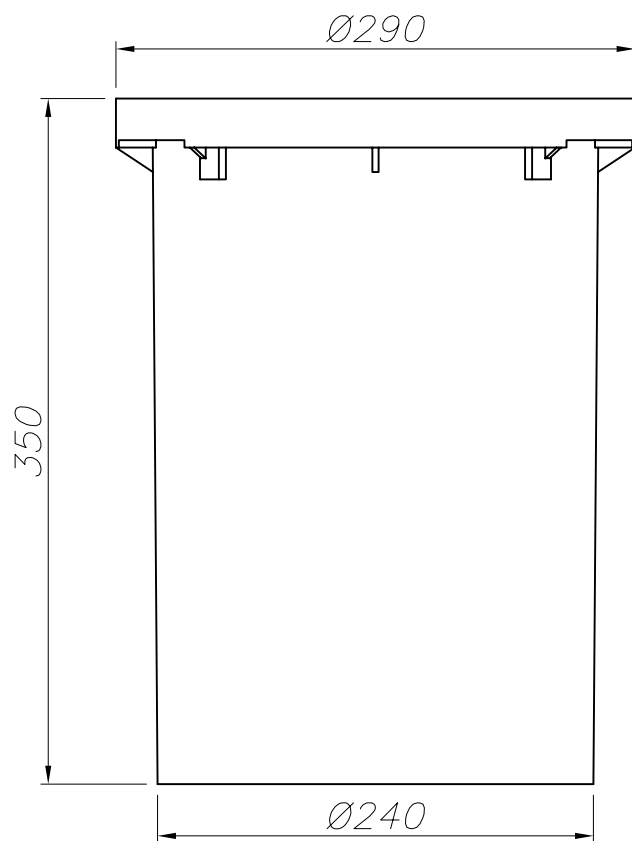
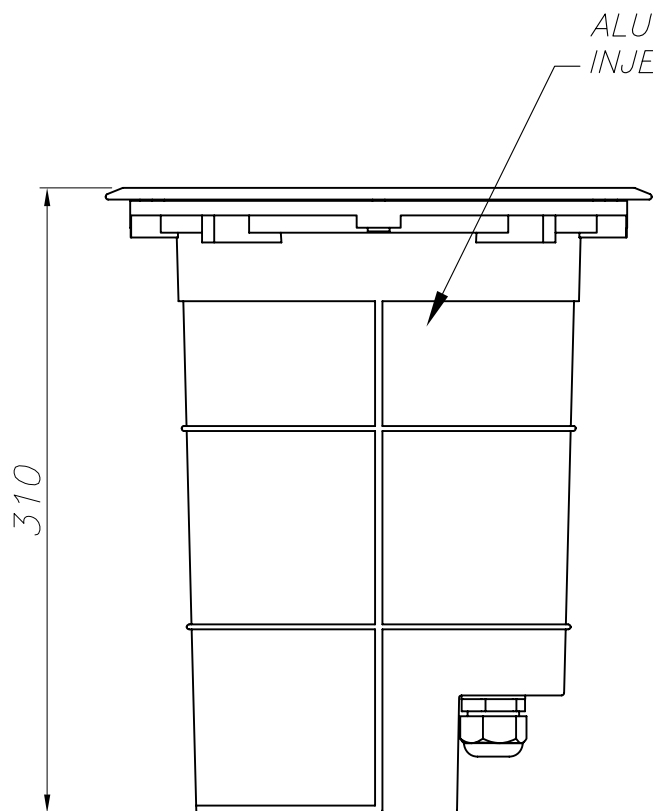
Diffuser material: Glass

Structure finish: Polished

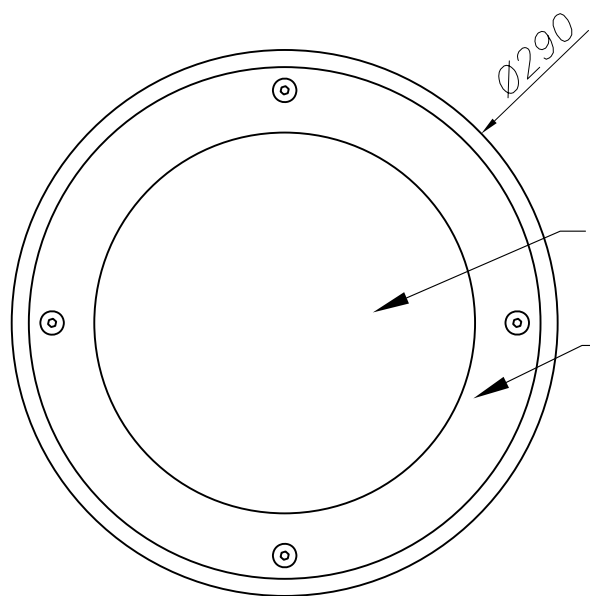
Diffuser finish: Transparent

GEAR

Gear included: Yes, Magnetic



CAJA DE EMPOTRAR
FLUSH FITTING BOX



CRISTAL TRANSPARENTE
TRANSPARENT GLASS

ACERO INOXIDABLE AISI 316
STAINLESS STEEL AISI 316

