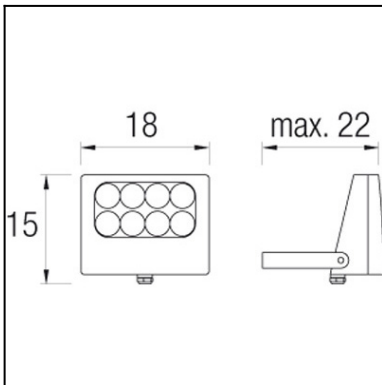


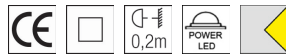


The photograph may not match the reference exactly. Please read the product description to identify the finish.



TECHNICAL CHARACTERISTICS

Type:	Spotlight
Adjustable:	Adjustable $\pm 90^\circ$ on the horizontal axis.
IP Protection degrees:	IP64
Light source 1:	8 x LED Cree 17W Neutral white - 4000K 1472 lm ^(N) CRI 75
Total power consumption (W):	22.4
Voltage / Frequency:	100-240V/50-60Hz
Warranty (Years):	2
Option to extend the guarantee (Years):	5
Units per box:	8
Net Weight (Kg):	1.11
EAN:	8435111088616



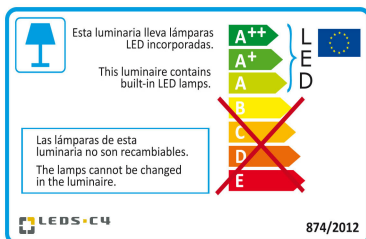
MATERIALS / FINISHES

Structure material:	Injected aluminium	Diffuser material:	Polycarbonate
Structure finish:	Grey	Diffuser finish:	Transparent

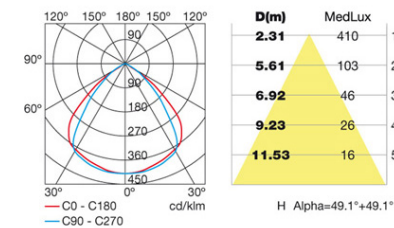
GEAR

Multi-voltage electronic gear included (110-240 V / 50-60 Hz)

Download photometric file .ldt / .ies



Click on image to download energy label

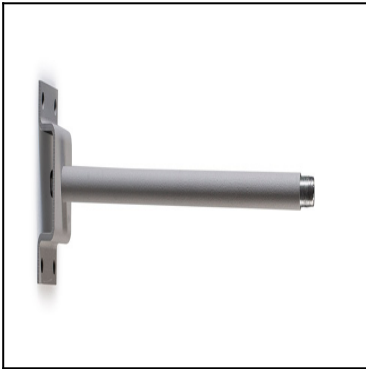


Lm^(N): Nominal flow of light in actual working conditions. Its actual flow will depend on the environmental conditions and the efficiency of the optics and/or diffuser.

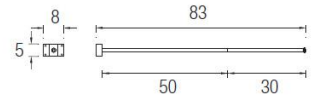
LEDS-C4 reserves the right to make the necessary technical changes they deem adequate, in order to improve the features of the product.

Please consult the sales team to clarify any doubt.

71-9487-34-34



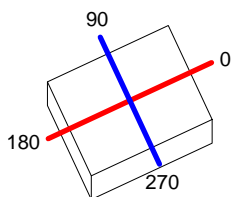
Structure material: Galvanized steel
Structure finish: Grey



Luminaire		Measur.		Lamp		
Code	05-9598	Code	05-9598	Code	05-9598	
Name	Projector 8 leds	Name	Projector 8 leds	Number	1	
Line	Eulumdat	Date	16-11-2011	Position		
Efficiency	100.00%	Coordinate system	CG	Total Flux	814.84 lm	
Maximum value	410.35 cd	Position	C=0.00 G=0.00	Double Symmetrical		
Rectangular Luminaire	Length	140 mm	Width	180 mm	Height	80 mm
Rectangular Luminous Area	Length	78 mm	Width	142 mm	Height	2 mm
Horizontal Luminous Area	0.011076 m2	Emitting area on Plane 180°		0.000156 m2		
Emitting area on Plane 0°	0.000156 m2	Emitting area on Plane 270°		0.000284 m2		
Emitting area on Plane 90°	0.000284 m2	Glare area at 76°		0.002831 m2		
Symmetry Type	Double Symmetrical	Maximum Gamma Angle		180		
Measurement Distance	0.00	Measurement Flux		814.84 lm		
Operator	Asselum T2	Source voltage				
Temperature	25.00 °C	Source current				
Humidity	60.00 %	Photocell				
Notes						

Luminaire Lamps						
Line	Code	Name	Flux [lm]	Pow. [W]	Q.ty	
Eulumdat	05-9598	05-9598 - 23.00 W	814.84	23.00	1	
C.I.E.	70 97 100 100 100	D DIN 5040				
F UTE	1.00 B	B NBN				
		A50				
		BZ 2				

140mm x 180mm



C Halfplanes

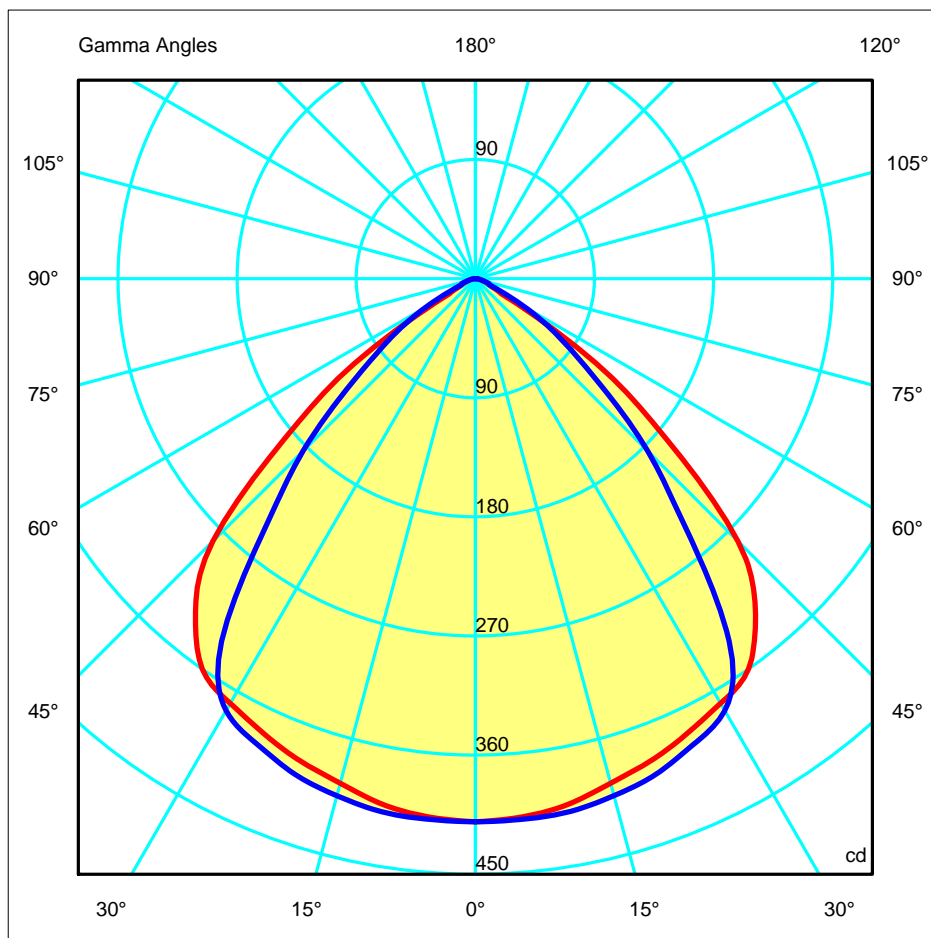
180.0 — 0.0

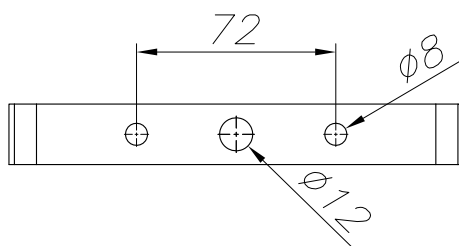
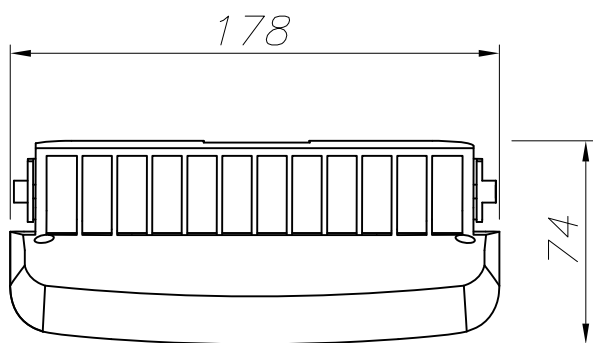
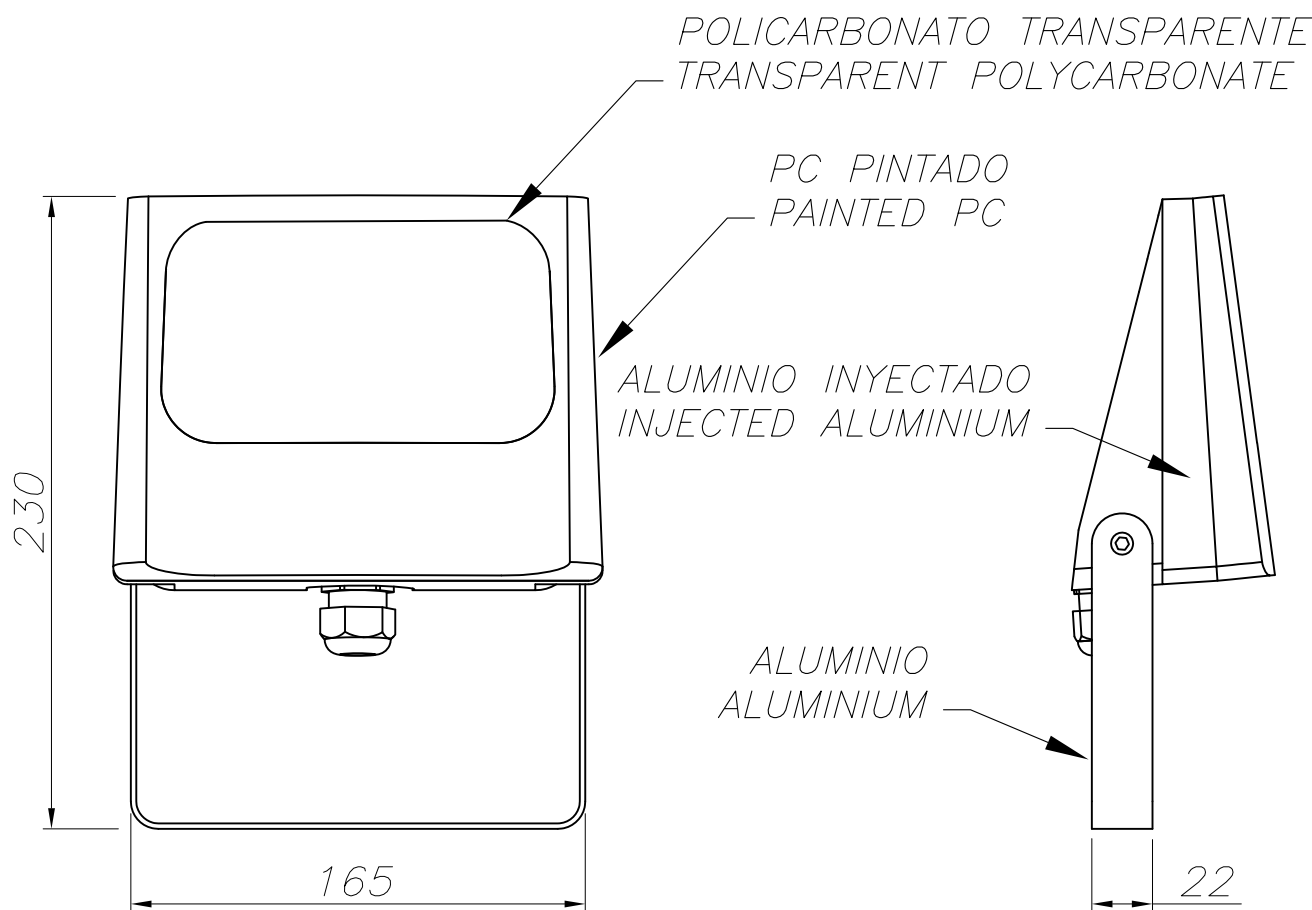
270.0 — 90.0

ULOR 0.02 %

DLOR 99.98 %

RN 0.02 %





PLANTILLA DE INSTALACIÓN
INSTALLATION TEMPLATE

