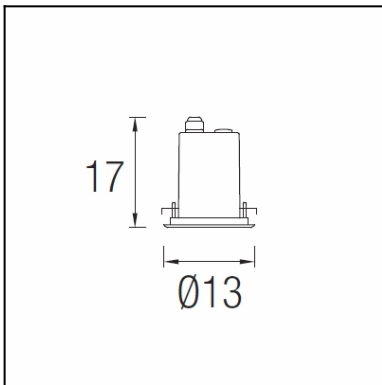




TECHNICAL CHARACTERISTICS

Type:	DOWNLIGHT RECESSED
IP Protection degrees:	IP65
IK Protection degrees:	IK08
Light source 1:	1 x GU10 max.50W Maximum lamp length: 65.00 mm
Light source 2:	1 x GU5.3 max.50W
Voltage / Frequency:	220-240V/50-60Hz
Warranty (Years):	2
Units per box:	4
Net Weight (Kg):	0.715
EAN:	8435381404505

The photograph may not match the reference exactly. Please read the product description to identify the finish.

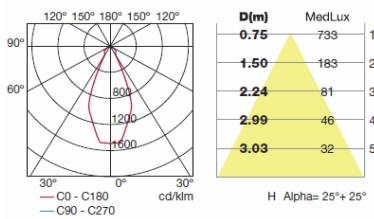


MATERIALS / FINISHES

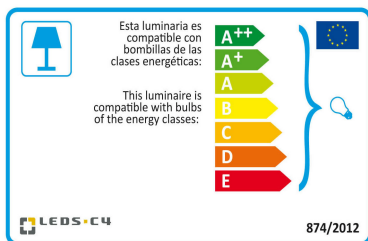
Structure material: Stainless steel AISI304
Structure finish: Polished

Diffuser material: Glass
Diffuser finish: Tempered

GU-10 50W

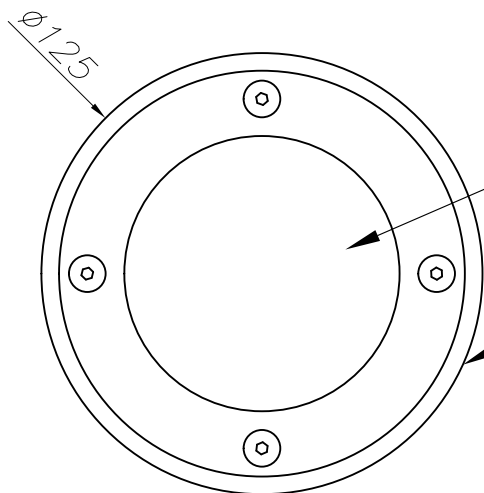


Download photometric file .ldt /.ies



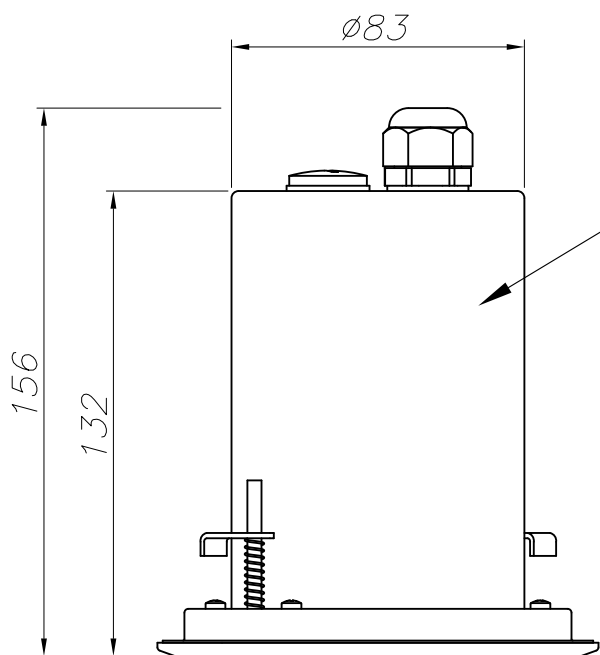
Click on image to download energy label

71-9448-CA-CA**Structure material:** Stainless steel AISI316**Structure finish:** Polished

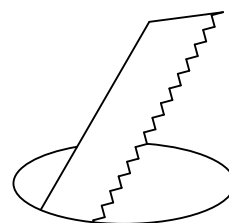


CRISTAL TEMPLADO TRANSPARENTE
TRANSPARENT TEMPERED GLASS

ACERO INOXIDABLE AISI 304
STAINLESS STEEL AISI 304



TECNOPOLÍMERO
TECHNOPOLYMER



$\phi 112mm$

AGUJERO PARA EMPOTRAR
FITTING HOLE

