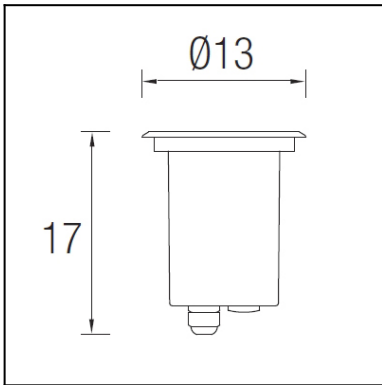




The photograph may not match the reference exactly. Please read the product description to identify the finish.



TECHNICAL CHARACTERISTICS

Type:	UPLIGHT RECESSED
Adjustable:	Adjustable $\pm 15^\circ$ on the vertical axis
IP Protection degrees:	IP67
IK Protection degrees:	IK10
Recessed in-ground suitable for pedestrian crossing:	Si
Light source 1:	1 x GU5.3 Max.50W
Voltage / Frequency:	12VAC
Warranty (Years):	2
Units per box:	8
Net Weight (Kg):	0.77
EAN:	8435111097489



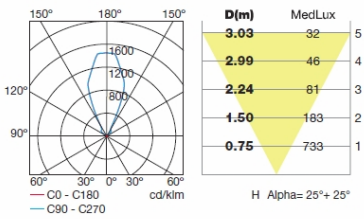
MATERIALS / FINISHES

Structure material:	Stainless steel AISI316 Technopolymer	Diffuser material:	Glass
Structure finish:	Polished	Diffuser finish:	Tempered

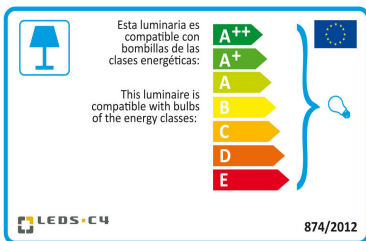
GEAR

Necessary equipment not included. For more information check website / catalogs / sales organization.

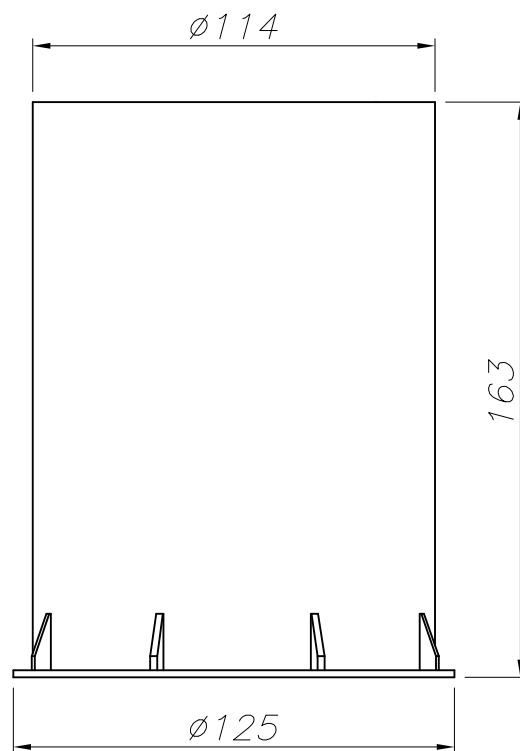
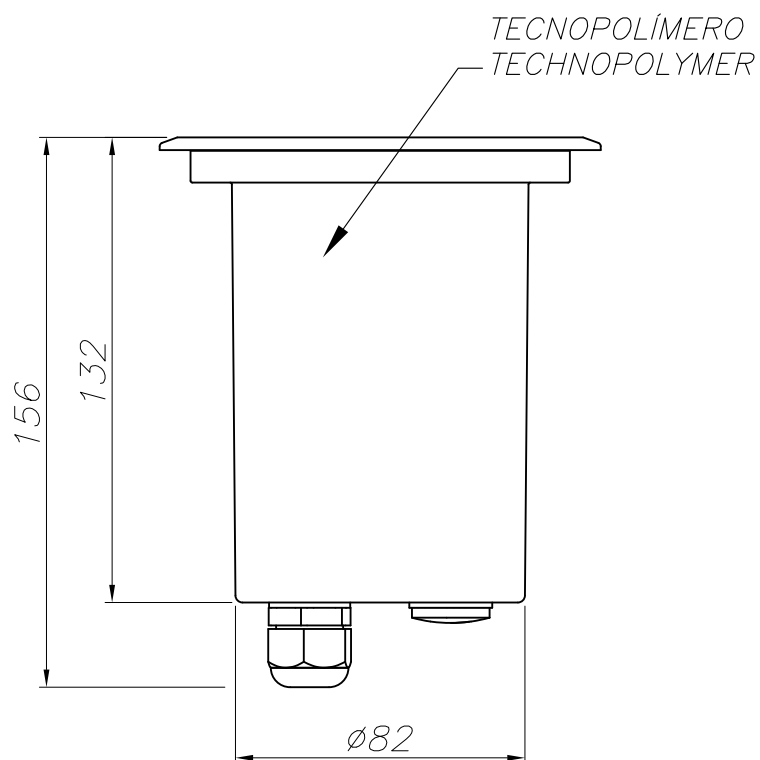
MR16 50W



Download photometric file .ldt /.ies



Click on image to download energy label



CAJA DE EMPOTRAR
FLUSH FITTING BOX

