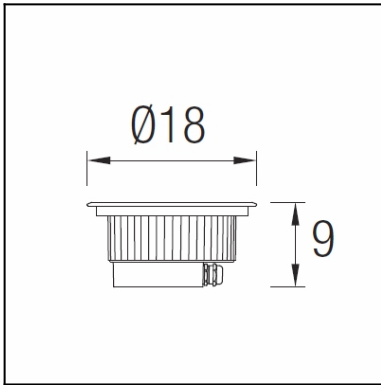


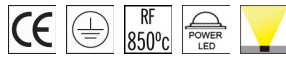


The photograph may not match the reference exactly. Please read the product description to identify the finish.

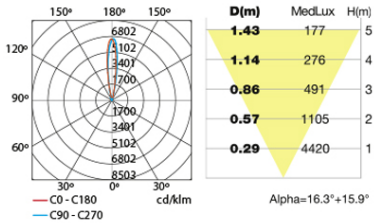


TECHNICAL CHARACTERISTICS

Type:	UPLIGHT RECESSED
Adjustable:	Adjustable $\pm 15^\circ$ on the vertical axis
IP Protection degrees:	IP67
IK Protection degrees:	IK10
Light source 1:	9 x LED Philips 9W Neutral white - 4000K 945 lm ^(N) CRI 75
Total power consumption (W):	11
Angle of the optics / Reflector:	16°, 34° filter diffuser
Voltage / Frequency:	100-240V/50-60Hz
Warranty (Years):	2
Option to extend the guarantee (Years):	5
Units per box:	2
Net Weight (Kg):	2
EAN:	8435381400224



LED 9W 4000K



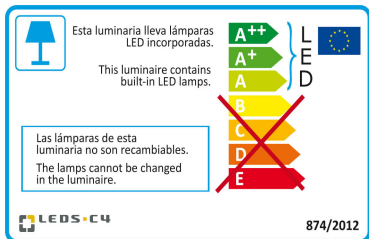
MATERIALS / FINISHES

Structure material:	Stainless steel AISI316 High purity aluminium	Diffuser material:	Glass
Structure finish:	Polished Black	Diffuser finish:	Tempered

GEAR

Multi-voltage electronic gear included (100-240V / 50-60Hz)

Download photometric file .ldt / .ies



Click on image to download energy label

Lm^(N): Nominal flow of light in actual working conditions. Its actual flow will depend on the environmental conditions and the efficiency of the optics and/or diffuser.

LEDS-C4 reserves the right to make the necessary technical changes they deem adequate, in order to improve the features of the product.

Please consult the sales team to clarify any doubt.

71-9744-05-05



Structure material:

Polypropylene

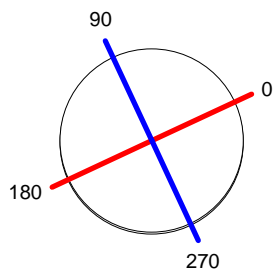
Structure finish:

Grey

Luminaire		Measur.		Lamp	
Code	55-9665-CA-37	Code	15-9665-CA-37	Code	15-9665-CA-37
Name	Uplight GEA leds 9x3W	Name	Uplight GEA leds 9x3W	Number	1
Line	Eulumdat	Date	27-03-2013	Position	
Efficiency	100.00%	Coordinate system	CG	Total Flux	1283.90 lm
Maximum value	10775.64 cd	Position	C=0.00 G=0.00	Double Symmetrical	
Round Luminaire	Diam.	190 mm	Height	4 mm	
Round Luminous Area	Diam.	122 mm	Height	0 mm	
Horizontal Luminous Area	0.011690 m2	Emitting area on Plane 180°	0.000000 m2	Emitting area on Plane 270°	0.000000 m2
Emitting area on Plane 0°	0.000000 m2	Glare area at 76°	0.002828 m2		
Emitting area on Plane 90°	0.000000 m2				
Symmetry Type	Double Symmetrical	Maximum Gamma Angle	90		
Measurement Distance	0.00	Measurement Flux	1283.90 lm		
Operator	Asselum T2	Source voltage			
Temperature	25.00 °C	Source current			
Humidity	60.00 %	Photocell			
Notes					

Luminaire Lamps						
Line	Code	Name	Flux [lm]	Pow. [W]	Q.ty	
Eulumdat	15-9665-CA-37	15-9665-CA-37 - 27.00 W	1283.90	27.00	1	
C.I.E.	92 96 100 100 100	D DIN 5040				
F UTE	1.00 A	B NBN				
		A60				
		BZ 1				

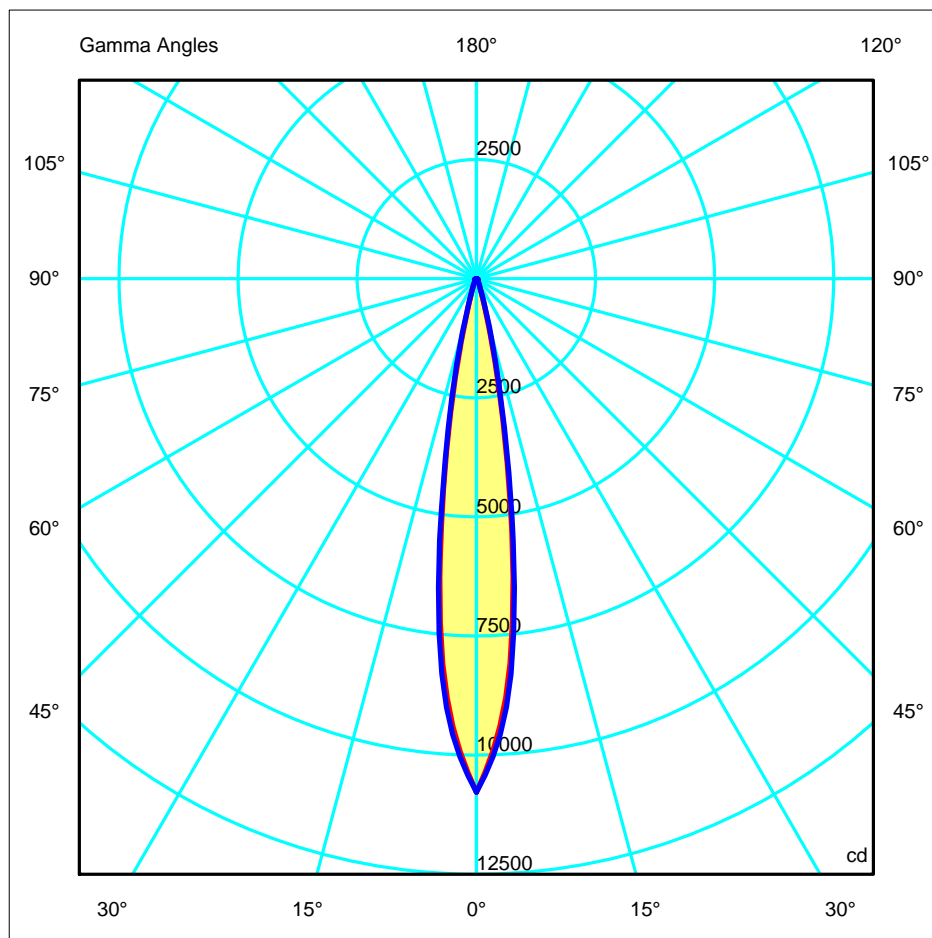
Diam=190mm

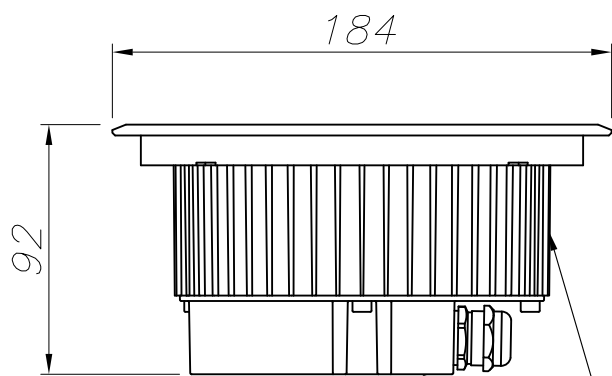


C Halfplanes

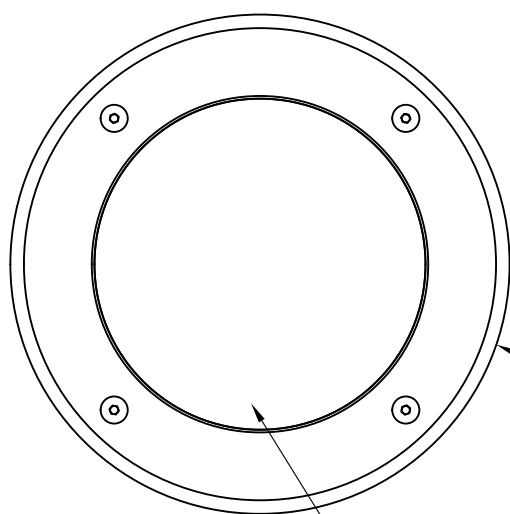


ULOR 0.00 %
DLOR 100.00 %
RN 0.00 %



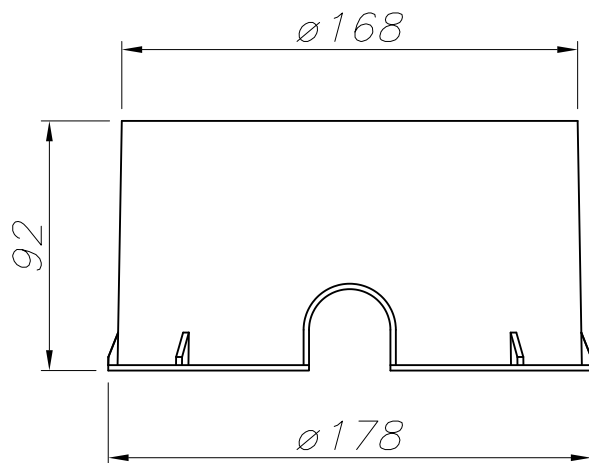


ALUMINIO INYECTADO
INJECTED ALUMINIUM



ACERO INOXIDABLE AISI 316
STAINLESS STEEL AISI 316

CRISTAL TEMPLADO TRANSPARENTE
TEMPERED TRANSPARENT GLASS



CAJA DE EMPOTRAR
FLUSH FITTING BOX

