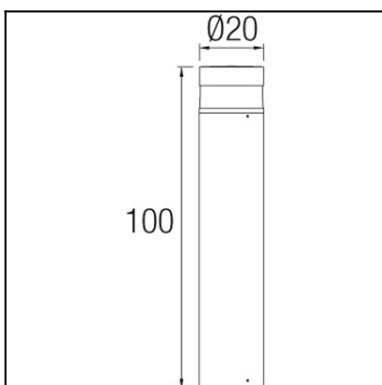


The photograph may not match the reference exactly. Please read the product description to identify the finish.



Description

Bollard with body produced in high grade aluminium. It comes complete with a clear polycarbonate diffuser inside and a frosted glass diffuser on the outside. Available in E-27 version for LED, compact fluorescent and halogen lamps and in HID version with 35W and 70W electronic components included. Light bulbs not included. Offered in two diameter options (16cm and 20cm) and in two finishes (light grey or dark grey).

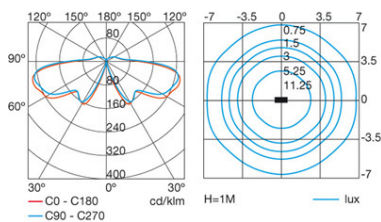
TECHNICAL CHARACTERISTICS

Type:	Beacon
IP Protection degrees:	IP65
IK Protection degrees:	IK08
Light source 1:	1 x E27 max. 23W Maximum lamp length: 165.00 mm Maximum lamp diameter: 55.00 mm
Voltage / Frequency:	220-240V/50-60Hz
Warranty (Years):	2
Units per box:	1
Net Weight (Kg):	6.415
EAN:	8435111089651

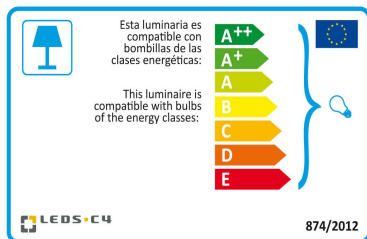


MATERIALS / FINISHES

Structure material:	Extruded aluminium	Diffuser material:	Polycarbonate
Structure finish:	Grey	Diffuser finish:	Transparent



Download photometric file .ldt / .ies

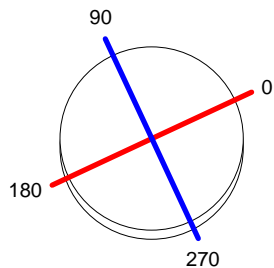


Click on image to download energy label

Luminaire		Measur.		Lamp	
Code	55-9550	Code	55-9552	Code	PL ELEC23W/840 E27
Name	Baliza fluorescente 23W E27	Name	Baliza fluorescente 23W E27	Number	1
Line	Eulumdat	Date	16-11-2011	Position	
Efficiency	100.00%	Coordinate system	CG	Total Flux	1400.00 lm
Maximum value	260.54 cd	Position	C=15.00 G=75.00	Asymmetrical	
Round Luminaire	Diam.	200 mm	Height	1000 mm	
Round Luminous Area	Diam.	200 mm	Height	70 mm	
Horizontal Luminous Area	0.031416 m2	Emitting area on Plane 180°	0.014000 m2		
Emitting area on Plane 0°	0.014000 m2	Emitting area on Plane 270°	0.014000 m2		
Emitting area on Plane 90°	0.014000 m2	Glare area at 76°	0.021184 m2		
Symmetry Type	Asymmetrical	Maximum Gamma Angle	180		
Measurement Distance	0.00	Measurement Flux	1400.00 lm		
Operator	Asselum T2	Source voltage			
Temperature	25.00 °C	Source current			
Humidity	60.00 %	Photocell			
Notes					

Luminaire Lamps						
Line	Code	Name	Flux [lm]	Pow. [W]	Q.ty	
Eulumdat	PL ELEC23W/840 E27	PL ELEC23W/840 E27 - 23.00 W	1400.00	23.00	1	
C.I.E.	15 38 71 83 100	D DIN 5040				B11
F UTE	--	B NBN				BZ 10

Diam=200mm



C Halfplanes
 180.0 — 0.0
 270.0 — 90.0

ULOR 16.87 %
 DLOR 83.13 %
 RN 16.87 %

