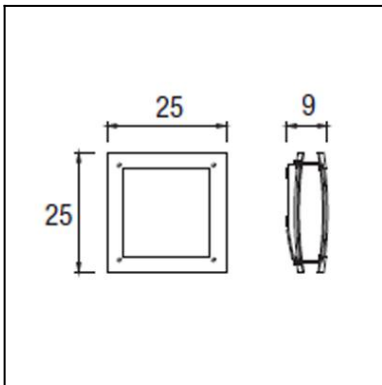


The photograph may not match the reference exactly. Please read the product description to identify the finish.



TECHNICAL CHARACTERISTICS

Type:	Wall fixture
IP Protection degrees:	IP54
IK Protection degrees:	IK10
Light source 1:	1 x E27 MAX 23W Maximum lamp length: 180.00 mm Maximum lamp diameter: 60.00 mm
Total power consumption (W):	23
Voltage / Frequency:	230V/50-60Hz
Warranty (Years):	2
Units per box:	6
Net Weight (Kg):	0.64
EAN:	8435111099766



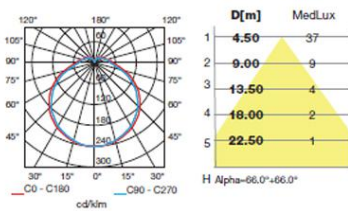
MATERIALS / FINISHES

Structure material: ABS

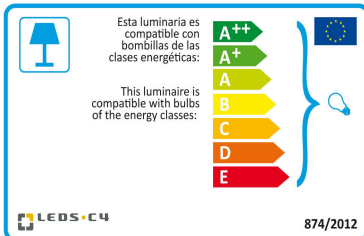
Diffuser material: Polycarbonate

Structure finish: Urban grey

Diffuser finish: Matt



Download photometric file .ldt / .ies



Click on image to download energy label

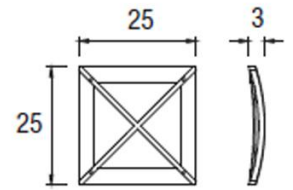
71-9445-Z5-Z5

**Structure material:**

Polycarbonate

Structure finish:

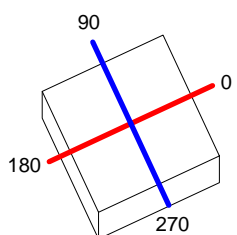
Urban grey



Luminaire		Measur.		Lamp		
Code	05-9444	Code	05-9444	Code	PLEC23	
Name	Plafon Mark 1x23	Name	Plafon Mark 1x23	Number	1	
Line	Eulumdat	Date	26-06-2014	Position		
Efficiency	34.40%	Coordinate system	CG	Total Flux	1500.00 lm	
Maximum value	120.37 cd	Position	C=0.00 G=0.00	Double Symmetrical		
Rectangular Luminaire	Length	250 mm	Width	250 mm	Height	90 mm
Rectangular Luminous Area	Length	240 mm	Width	240 mm	Height	70 mm
Horizontal Luminous Area	0.057600 m2	Emitting area on Plane 180°		0.016800 m2		
Emitting area on Plane 0°	0.016800 m2	Emitting area on Plane 270°		0.016800 m2		
Emitting area on Plane 90°	0.016800 m2	Glare area at 76°		0.030236 m2		
Symmetry Type	Double Symmetrical	Maximum Gamma Angle		180		
Measurement Distance	0.00	Measurement Flux		1500.00 lm		
Operator	Asselum	Source voltage				
Temperature	25.00 °C	Source current				
Humidity	60.00 %	Photocell				
Notes						

Luminaire Lamps						
Line	Code	Name	Flux [lm]	Pow. [W]	Q.ty	
Eulumdat	PLEC23	PLEC23 - 46.00 W	1500.00	46.00	1	
C.I.E.	39 69 88 82 34	D DIN 5040	B21	BZ 6 / 0.8 / BZ 5 / 1 / BZ 6		
F UTE	0.28 G + 0.06 T	B NBN				

250mm x 250mm



C Halfplanes

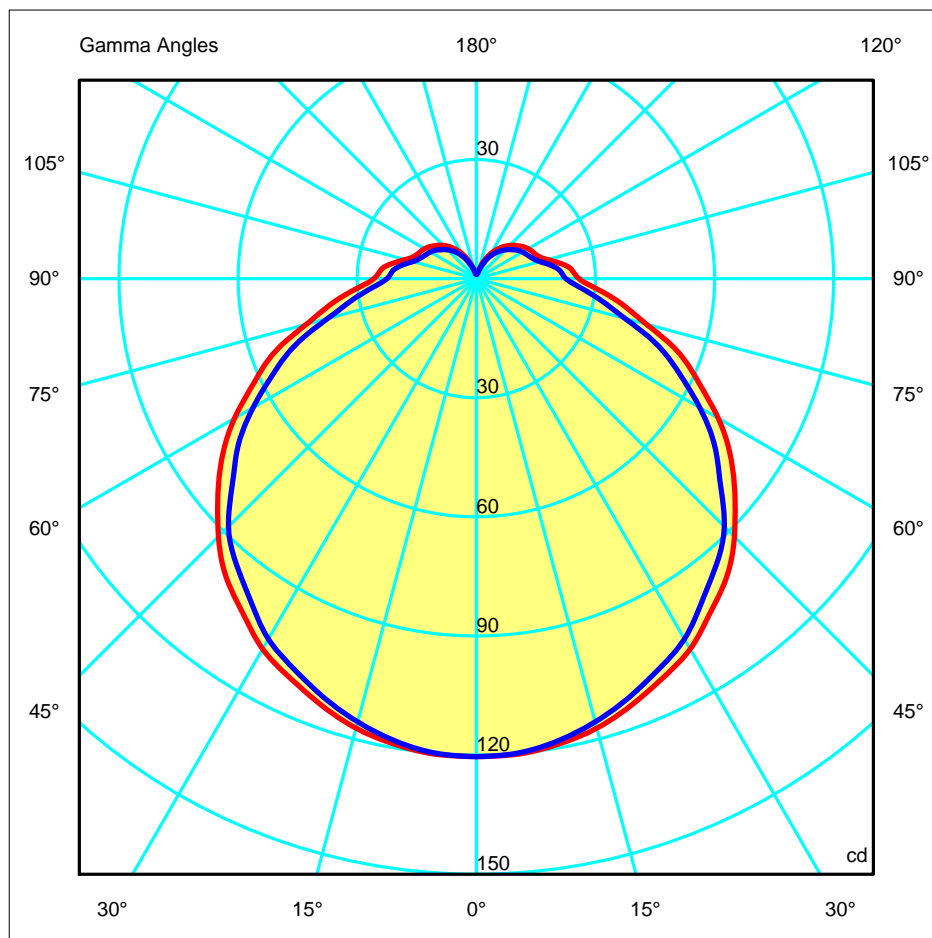
180.0 — 0.0

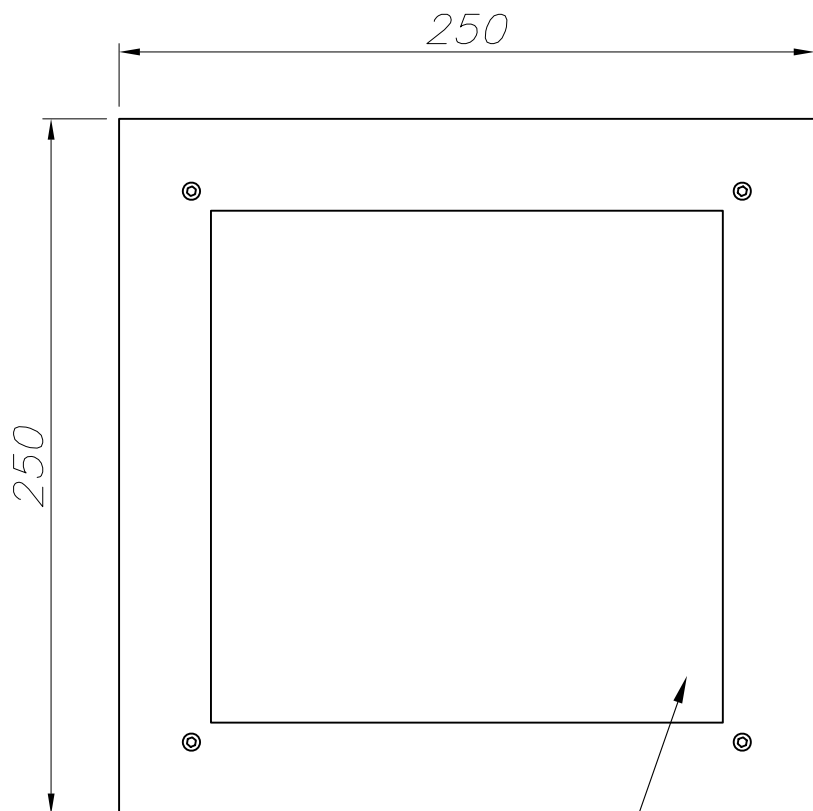
270.0 — 90.0

ULOR 6.20 %

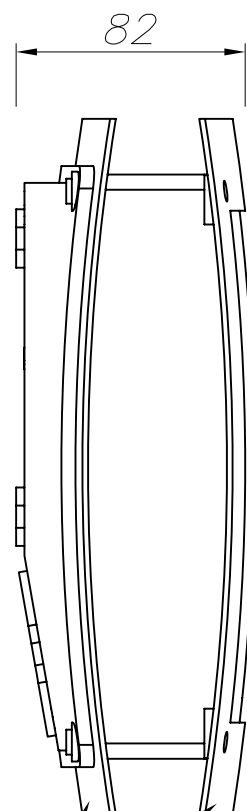
DLOR 28.20 %

RN 18.01 %

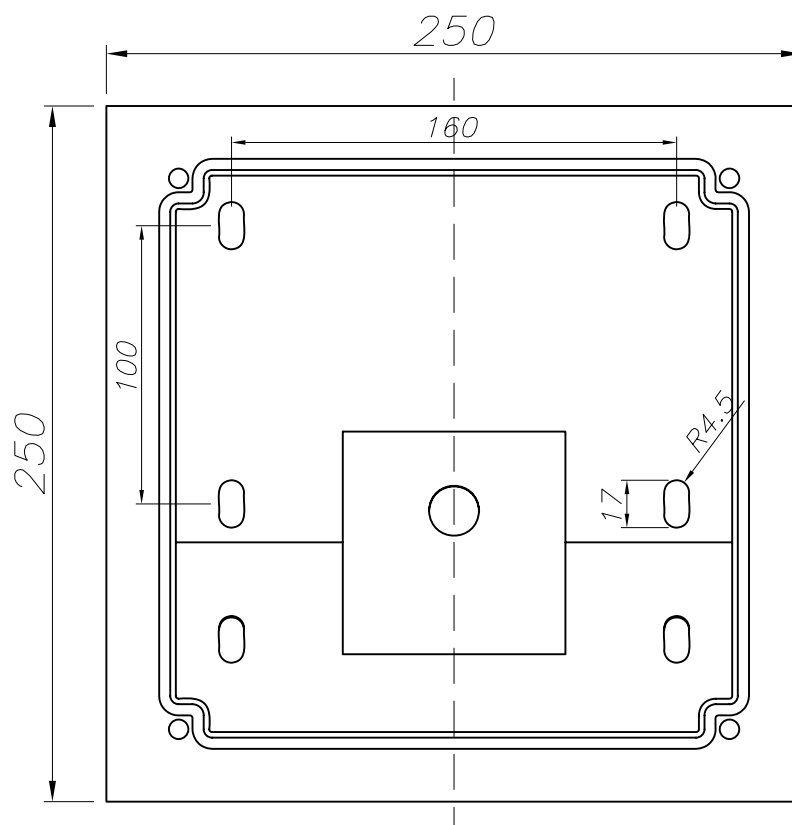




POLICARBONATO TRANSPARENTE MATE
TRANSPARENT MATT POLYCARBONATE



POLICARBONATO MATE
MATT POLYCARBONATE



PLANTILLA DE INSTALACIÓN
INSTALLATION TEMPLATE

