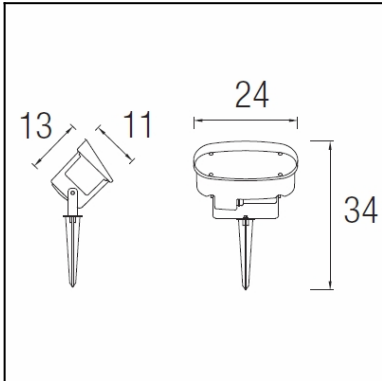
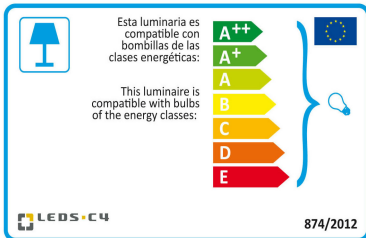




The photograph may not match the reference exactly. Please read the product description to identify the finish.



[Download photometric file .ldt / .ies](#)



[Click on image to download energy label](#)

TECHNICAL CHARACTERISTICS

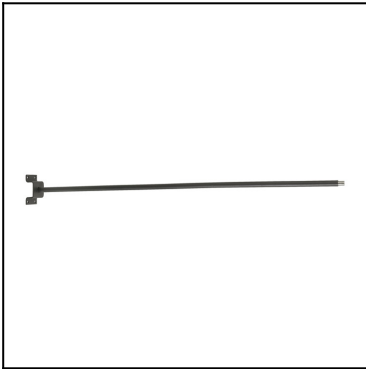
Type:	Spotlight
Adjustable:	Adjustable $\pm 90^\circ$ on the horizontal axis.
IP Protection degrees:	IP65
IK Protection degrees:	IK09
Light source 1:	1 x E27 Max.23W Maximum lamp length: 160.00 mm
Voltage / Frequency:	220-240V/50-60Hz
Warranty (Years):	2
Units per box:	4
Net Weight (Kg):	0.855
EAN:	8435381400194



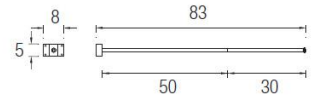
MATERIALS / FINISHES

Structure material:	High purity aluminium	Diffuser material:	Polycarbonate
Structure finish:	Urban grey	Diffuser finish:	Matt

71-9487-Z5-Z5



Structure material: Galvanized steel
Structure finish: Urban grey

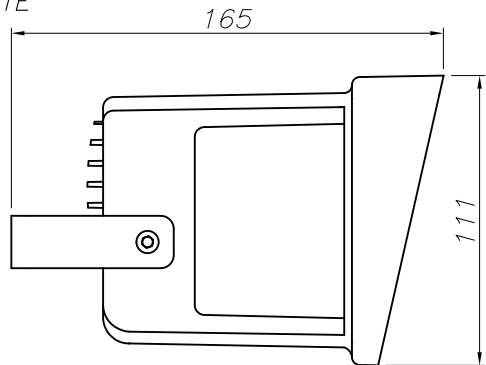
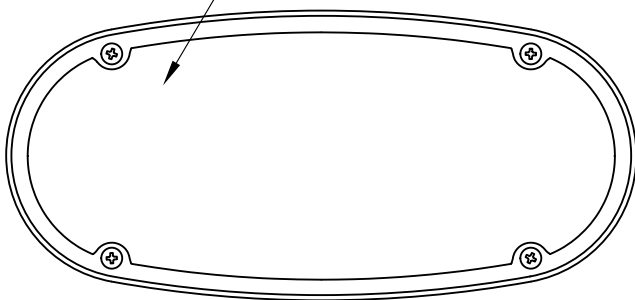


71-9746-05-05



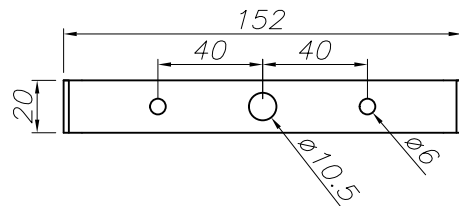
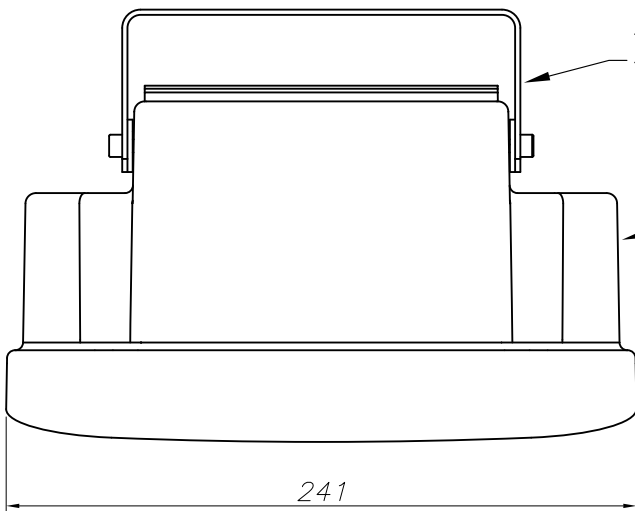
Structure material: Polycarbonate
Structure finish: Black

POLICARBONATO TRANSPARENTE MATE
TRANSPARENT MATT POLYCARBONATE



ACERO INOXIDABLE
STAINLESS STEEL

ALUMINIO DE ALTA PUREZA
HIGH QUALITY ALUMINUM



PLANTILLA DE INSTALACIÓN
INSTALLATION TEMPLATE

