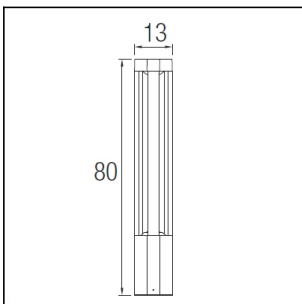
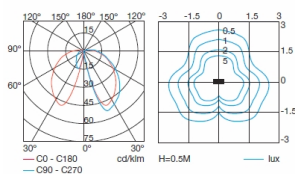


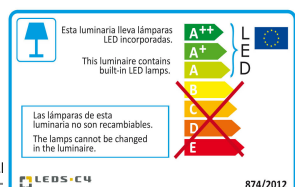
The photograph may not match the reference exactly. Please read the product description to identify the finish.



LED 6W



[Download photometric file .ldt /.ies](#)



working conditions. Its actual flow will depend on the environmental conditions and the efficiency of the optics and/or diffuser.

LEDS-C4 reserves the right to make the necessary technical changes they deem adequate, in order to improve the features of the product.

Please consult the sales team to clarify any doubt.

### TECHNICAL CHARACTERISTICS

Type:	Beacon
IP Protection degrees:	IP54
Light source 1:	1 x LED Bridgelux 6,7W Warm White - 3000K 640 lm <sup>(N)</sup>
Voltage / Frequency:	100-240V/50-60Hz
Warranty (Years):	2
Option to extend the guarantee (Years):	5
Units per box:	4
Net Weight (Kg):	2.025
EAN:	8435381404437



### MATERIALS / FINISHES

Structure material:	Aluminium	Diffuser material:	Polycarbonate
Structure finish:	Urban grey	Diffuser finish:	Opal

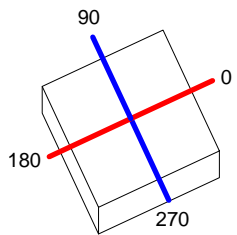
### GEAR

Multi-voltage electronic gear included (110-240 V / 50-60 Hz)

<b>Luminaire</b>		<b>Measur.</b>		<b>Lamp</b>		
Code	55-9721	Code	55-9603	Code	55-9603	
Name	Baliza leds difusor opal	Name	Baliza leds difusor opal	Number	1	
Line	Eulumdat	Date	10-11-2011	Position		
Efficiency	100.00%	Coordinate system	CG	Total Flux	153.69 lm	
Maximum value	59.00 cd	Position	C=315.00 G=20.00	Sym. on planes	270-90	
Rectangular Luminaire	Length	123 mm	Width	123 mm	Height	805 mm
Rectangular Luminous Area	Length	90 mm	Width	90 mm	Height	14 mm
Horizontal Luminous Area	0.008100 m2	Emitting area on Plane 180°	0.001350 m2	Emitting area on Plane 270°	0.001350 m2	
Emitting area on Plane 0°	0.001350 m2	Glare area at 76°	0.003269 m2			
Emitting area on Plane 90°	0.001350 m2					
Symmetry Type	Sym. on planes 270-90	Maximum Gamma Angle	180	Measurement Flux	153.69 lm	
Measurement Distance	0.00					
Operator	Asselum T2	Source voltage				
Temperature	25.00 °C	Source current				
Humidity	60.00 %	Photocell				
Notes						

Line		Code		Luminaire Lamps		Flux [lm]	Pow. [W]	Q.ty
Eulumdat				Name				
		55-9603		55-9603 - 6.00 W		153.69	6.00	1
C.I.E.	38 68 88 94 100			D DIN 5040	A21			
F UTE	0.94 G + 0.06 T			B NBN	BZ 6			

123mm x 123mm



**C Halfplanes**

270.0 ——— 0.0

180.0 ——— 90.0

ULOR      6.32 %

DLOR     93.68 %

RN        6.32 %

