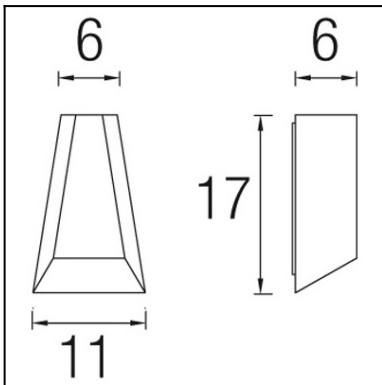




The photograph may not match the reference exactly. Please read the product description to identify the finish.



### TECHNICAL CHARACTERISTICS

Type:	Wall fixture
IP Protection degrees:	IP44
Light source 1:	2 x LED Cree 2W Neutral white - 4000K 214 lm <sup>(N)</sup> CRI 75
Voltage / Frequency:	100-240V/50-60Hz
Warranty (Years):	2
Option to extend the guarantee (Years):	5
Units per box:	12
Net Weight (Kg):	0.45
EAN:	8435111088661



### MATERIALS / FINISHES

**Structure material:** Injected aluminium

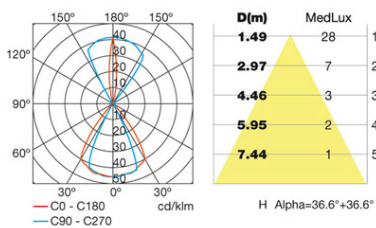
**Diffuser material:** Glass

**Structure finish:** Grey

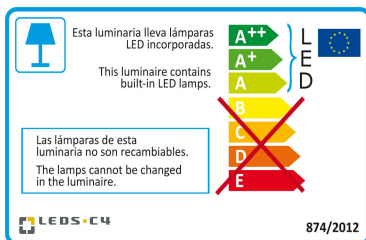
**Diffuser finish:** Transparent

### GEAR

Multi-voltage electronic gear included (110-240 V / 50-60 Hz)



Download photometric file .ldt / .ies



Click on image to download energy label

Lm<sup>(N)</sup>: Nominal flow of light in actual working conditions. Its actual flow will depend on the environmental conditions and the efficiency of the optics and/or diffuser.

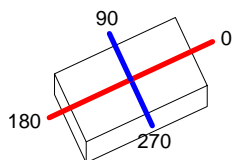
LEDS-C4 reserves the right to make the necessary technical changes they deem adequate, in order to improve the features of the product.

Please consult the sales team to clarify any doubt.

<b>Luminaire</b>		<b>Measur.</b>		<b>Lamp</b>		
Code	05-9592	Code	05-9592	Code	05-9592	
Name	Aplique directa/indir. 2 leds	Name	Aplique directa/indir. 2 leds	Number	1	
Line	Eulumdat	Date	11-11-2011	Position		
Efficiency	100.00%	Coordinate system	CG	Total Flux	62.86 lm	
Maximum value	45.74 cd	Position	C=0.00 G=0.00	Sym. on planes	270-90	
Rectangular Luminaire	Length	62 mm	Width	110 mm	Height	175 mm
Rectangular Luminous Area	Length	32 mm	Width	70 mm	Height	175 mm
Horizontal Luminous Area	0.002240 m2	Emitting area on Plane 180°		0.005600 m2		
Emitting area on Plane 0°	0.005600 m2	Emitting area on Plane 270°		0.012250 m2		
Emitting area on Plane 90°	0.012250 m2	Glare area at 76°		0.005976 m2		
Symmetry Type	Sym. on planes 270-90	Maximum Gamma Angle		180		
Measurement Distance	0.00	Measurement Flux		62.86 lm		
Operator	Asselum T2	Source voltage				
Temperature	25.00 °C	Source current				
Humidity	60.00 %	Photocell				
Notes						

Line		Code		Luminaire Lamps		Flux [lm]	Pow. [W]	Q.ty
Eulumdat		05-9592		Name		62.86	6.00	1
				05-9592 - 6.00 W				
C.I.E.	90 96 99 80 100			D DIN 5040	B61			
F UTE	0.80 A + 0.20 T			B NBN	BZ 1			

62mm x 110mm



**C Halfplanes**

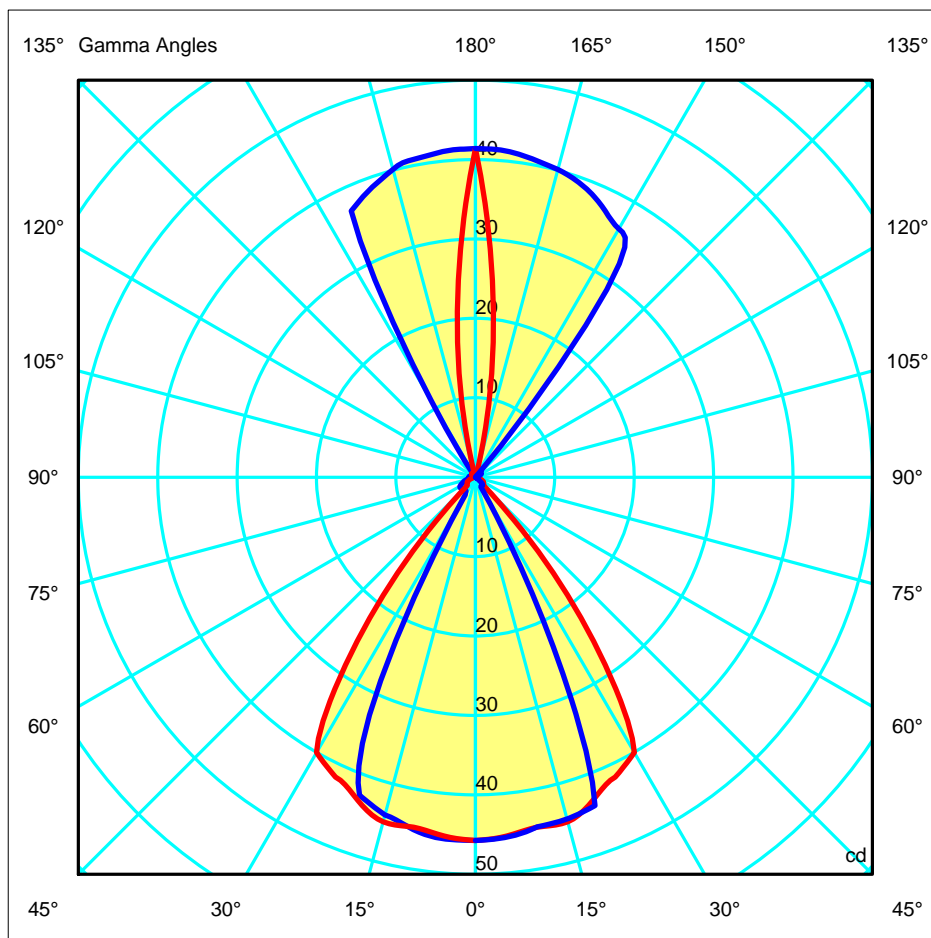
270.0 ——— 0.0

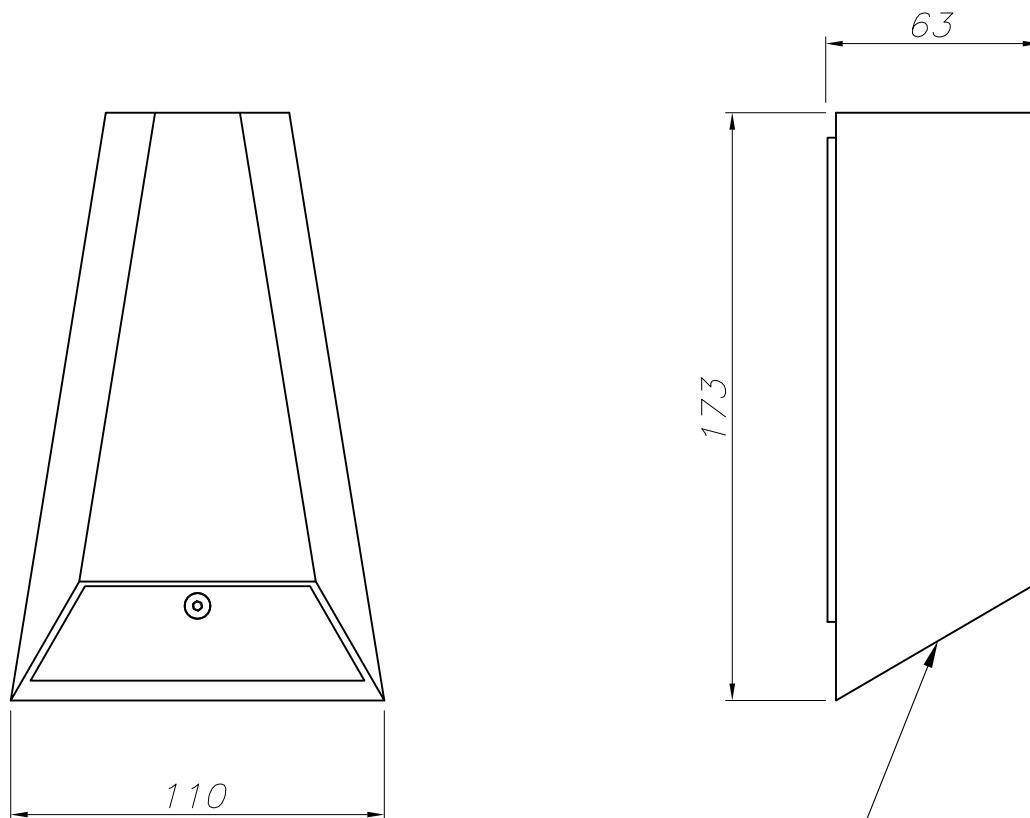
180.0 ——— 90.0

ULOR      20.47 %

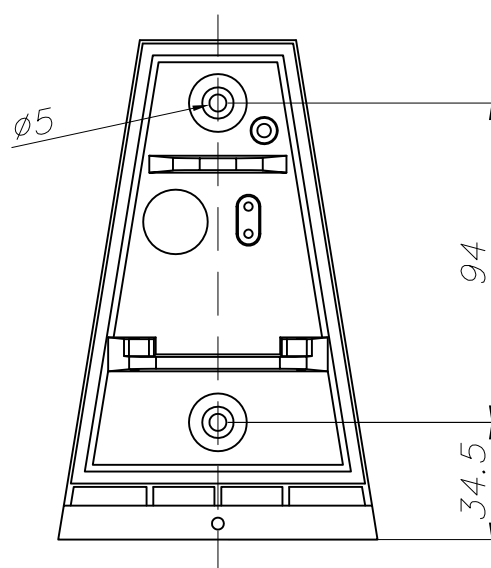
DLOR      79.53 %

RN         20.47 %



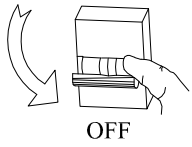


ALUMINIO INYECTADO  
INJECTED ALUMINIUM

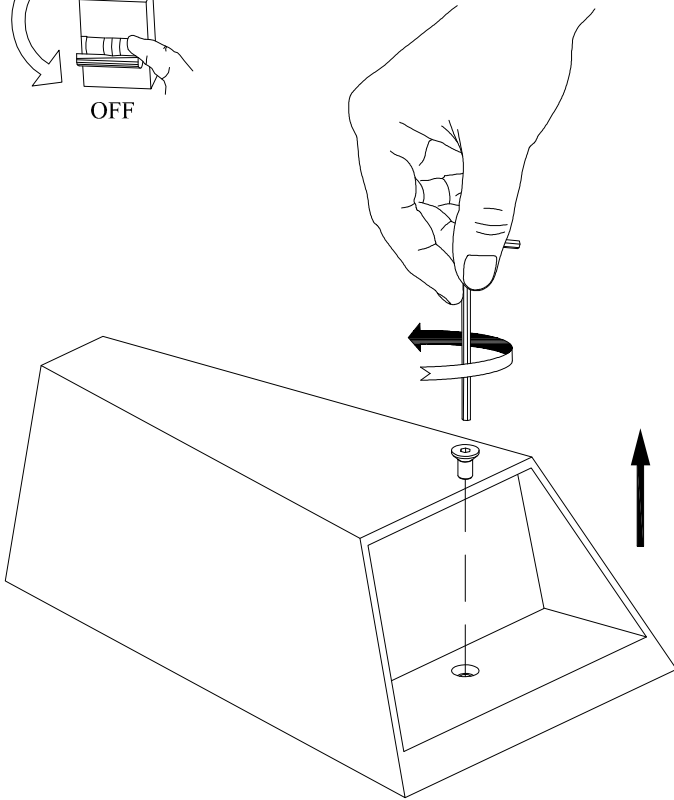


PLANTILLA DE INSTALACIÓN  
INSTALLATION TEMPLATE

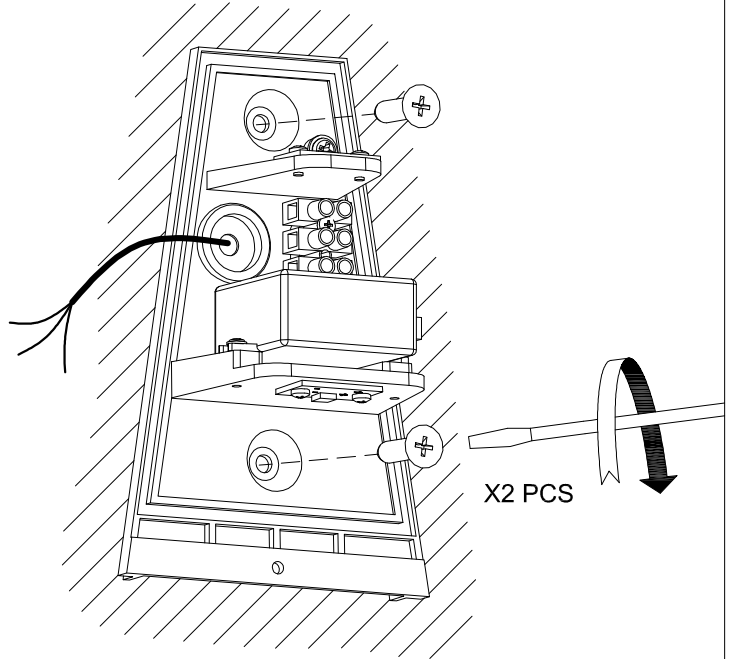
①



OFF

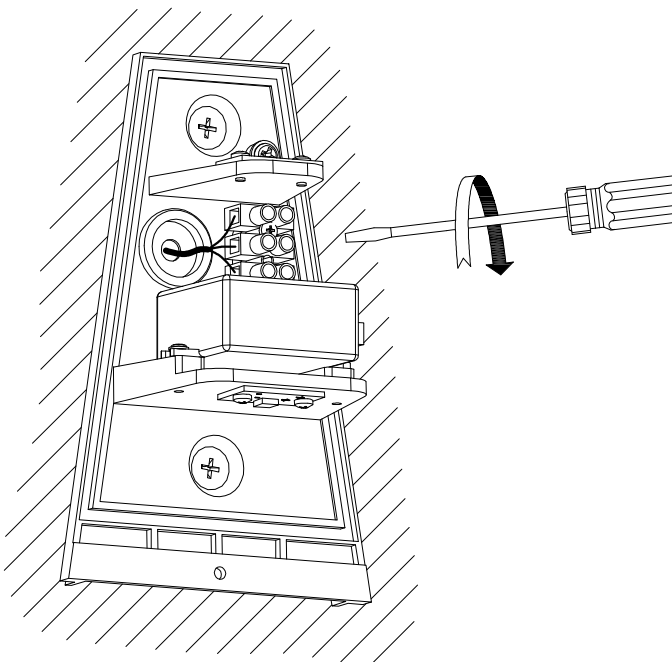


②

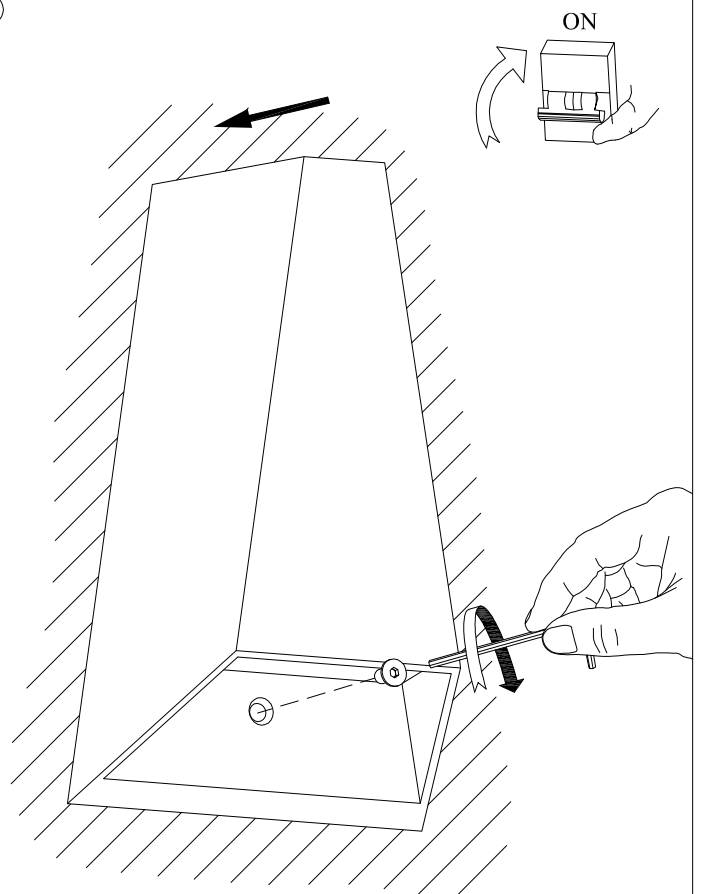


X2 PCS

③



④



ON