



The photograph may not match the reference exactly. Please read the product description to identify the finish.

TECHNICAL CHARACTERISTICS

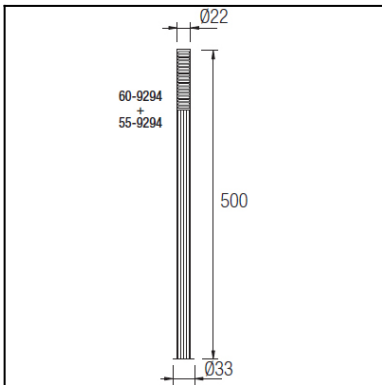
Type:	Column
Warranty (Years):	2
Units per box:	1
Net Weight (Kg):	21.75
EAN:	8435111055939



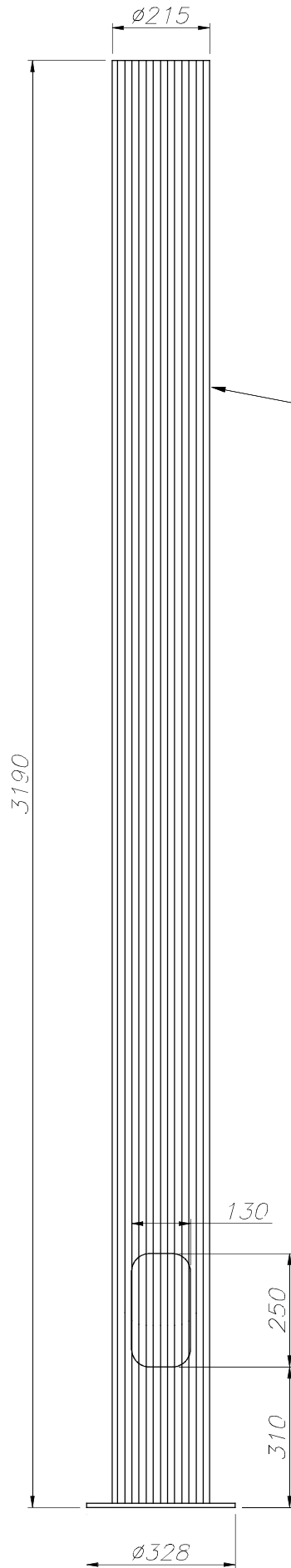
MATERIALS / FINISHES

Structure material: Extruded aluminium

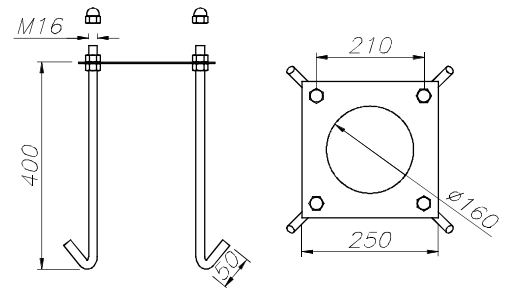
Structure finish: Grey



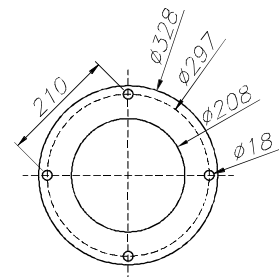
[Download photometric file .ldt / .ies](#)



ALUMINIO EXTRUSIONADO
EXTRUDED ALUMINUM

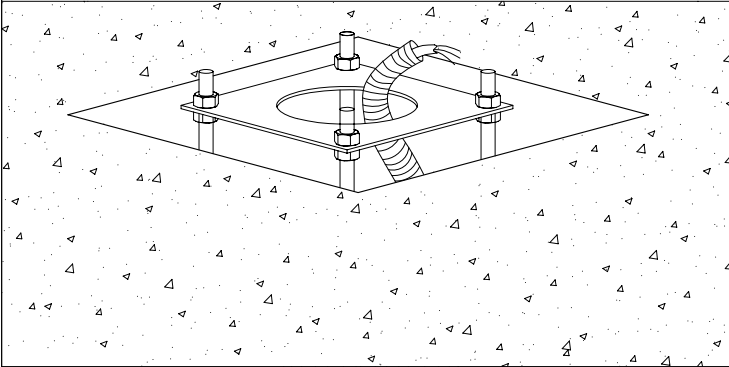


KIT DE INSTALACIÓN
INSTALLATION KIT

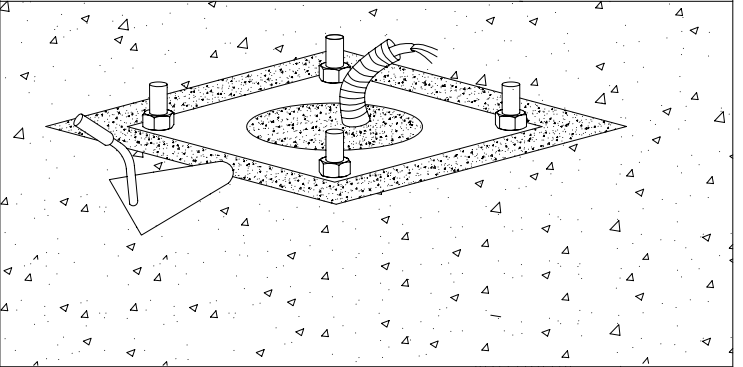


PLANTILLA DE INSTALACIÓN
INSTALLATION TEMPLATE

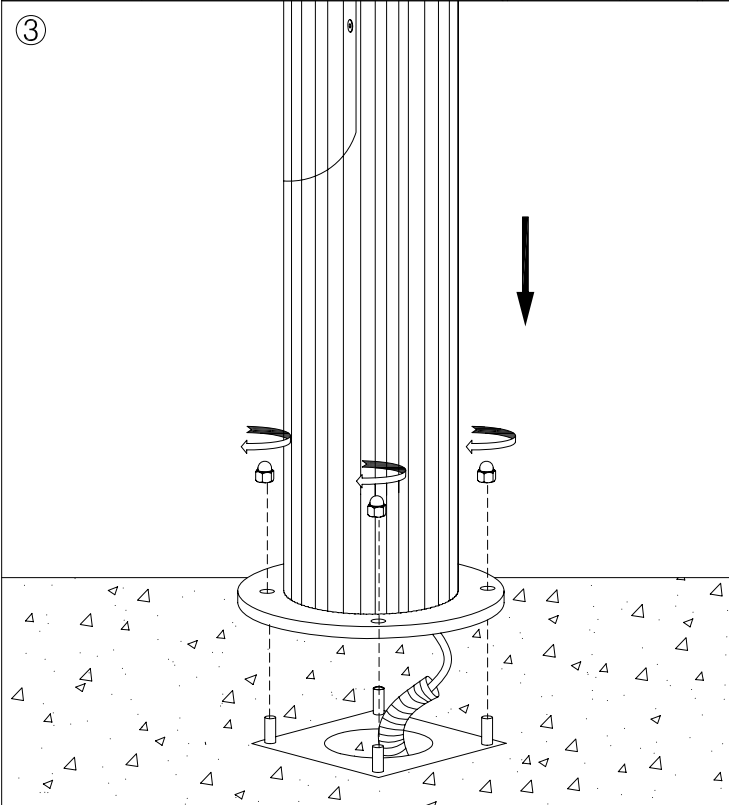
①



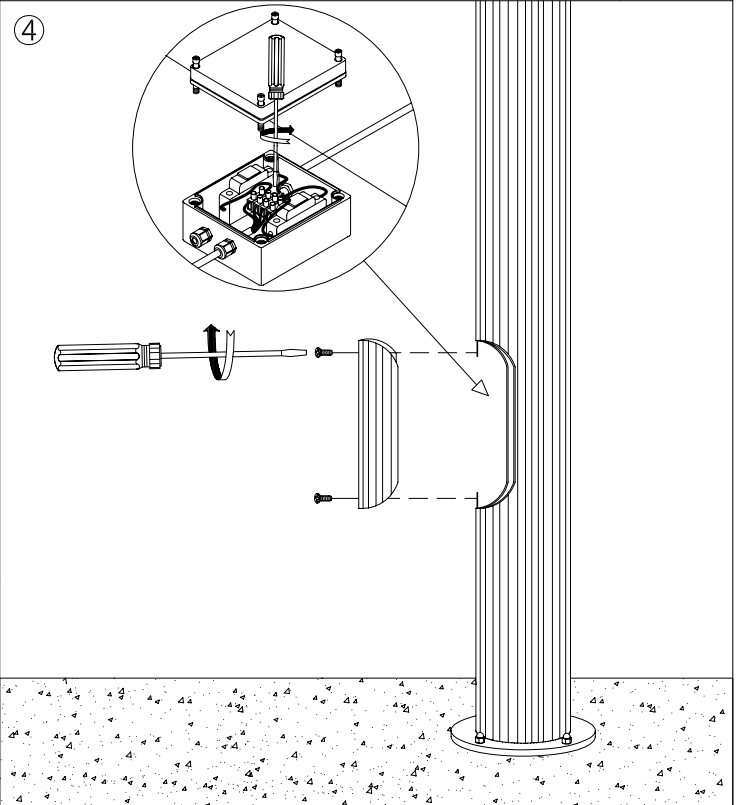
②



③



④



⑤

60-9293

60-9294

⑥

