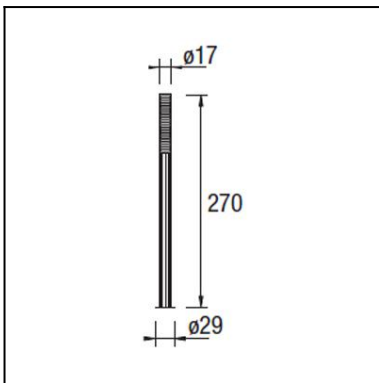




The photograph may not match the reference exactly. Please read the product description to identify the finish.



Description

Lamp post produced in extruded aluminium with a clear polycarbonate diffuser. Available in 4 x 2G11 55W (with height options of 270 cm or 350 cm) and also available in 2 x GX24q-4 26W, 32W and 42W. Top brand 230V electronic components included. Finished in grey. Grooved surface to discourage bill posting. Includes anti-light pollution reflector and installation kit including fixing bolts. Option of separate purchase of a rotatable reflector accessory.

TECHNICAL CHARACTERISTICS

Type:	Streetlight
IP Protection degrees:	IP65
IK Protection degrees:	IK08
Light source 1:	4 x 2G11 55W
Voltage / Frequency:	220-240V/50-60Hz
Warranty (Years):	2
Units per box:	1
Net Weight (Kg):	16.9
EAN:	8435111050057

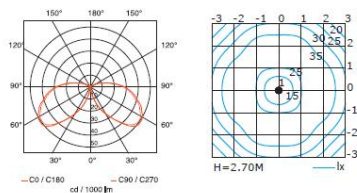


MATERIALS / FINISHES

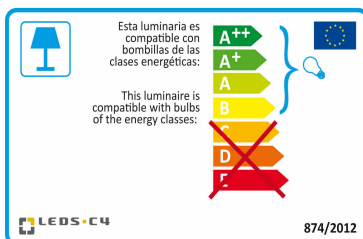
Structure material:	Extruded aluminium	Diffuser material:	Polycarbonate
Structure finish:	Grey	Diffuser finish:	Transparent

GEAR

Gear included: Yes, electronic

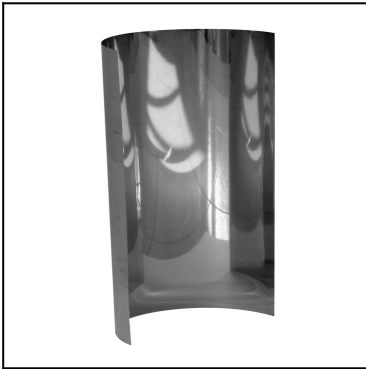


Download photometric file .ldt / .ies



Click on image to download energy label

71-9514-52-52



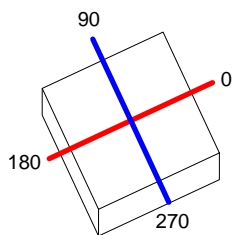
Structure material: High purity aluminium

Structure finish: Shiny

Luminaire		Measur.		Lamp		
Code	55-9268-34	Code	IF070015	Code	TC-L 55/840	
Name	TEMIS	Name	TEMIS	Number	4	
Line	Eulumdat	Date	29-04-1994	Position		
Efficiency	28.72%	Coordinate system	CG	Total Flux	19200.00 lm	
Maximum value	1008.00 cd	Position	C=75.00 G=55.00	Double Symmetrical		
Rectangular Luminaire	Length	280 mm	Width	280 mm	Height	2700 mm
Rectangular Luminous Area	Length	1000 mm	Width	1000 mm	Height	266 mm
Horizontal Luminous Area	1.000000 m2	Emitting area on Plane 180°		0.266000 m2		
Emitting area on Plane 0°	0.266000 m2	Emitting area on Plane 270°		0.266000 m2		
Emitting area on Plane 90°	0.266000 m2	Glare area at 76°		0.500021 m2		
Symmetry Type	Double Symmetrical	Maximum Gamma Angle		180		
Measurement Distance	0.00	Measurement Flux		19200.00 lm		
Operator		Source voltage				
Temperature	25.00 °C	Source current				
Humidity	60.00 %	Photocell				
Notes						

Line		Code		Luminaire Lamps		Flux [lm]	Pow. [W]	Q.ty
Eulumdat		TC-L 55/840		Name		4800.00	55.00	4
C.I.E.	15 47 77 82 29			TC-L 55/840 - 55.00 W				
F UTE	--			D DIN 5040				
				B NBN				
				B11				
				BZ 10 / 1 / BZ 9 / 2.5 / BZ 8				

280mm x 280mm



C Halfplanes

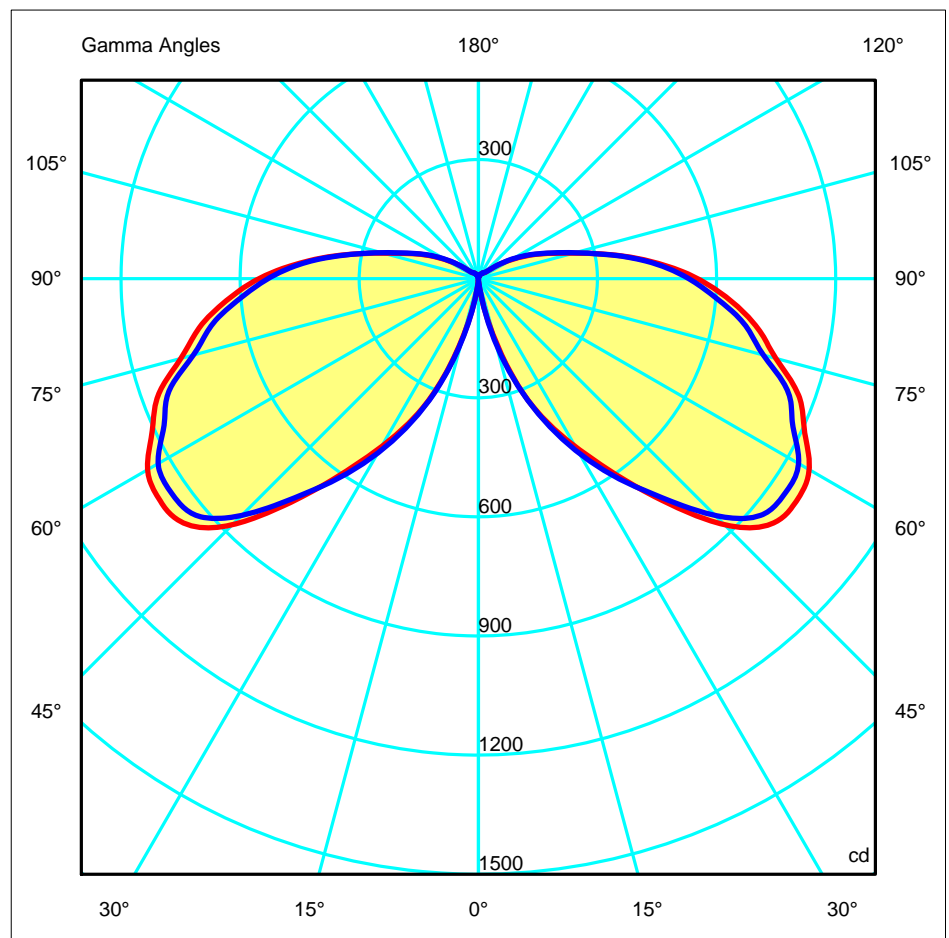
180.0 — 0.0 (Red line)

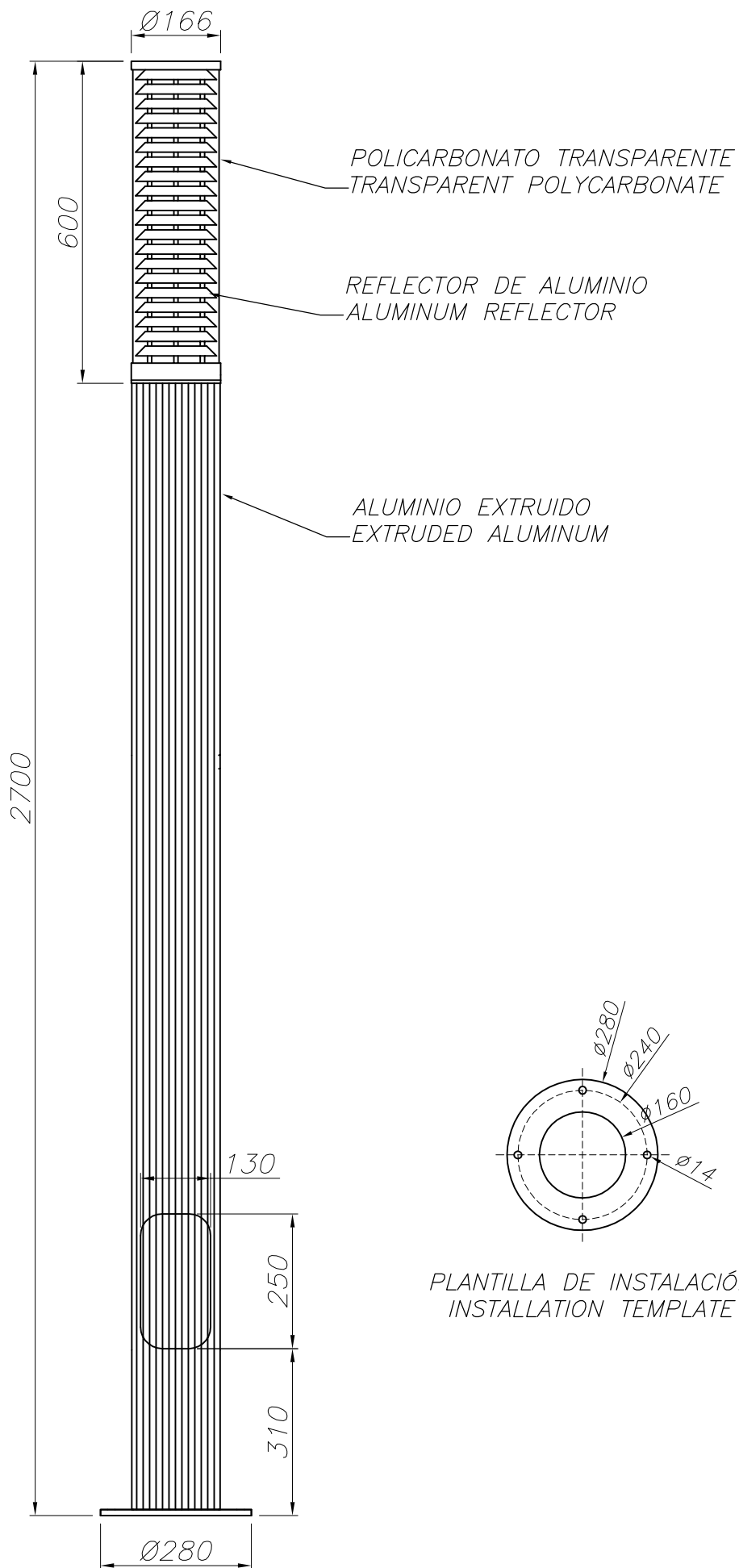
270.0 — 90.0 (Blue line)

ULOR 5.24 %

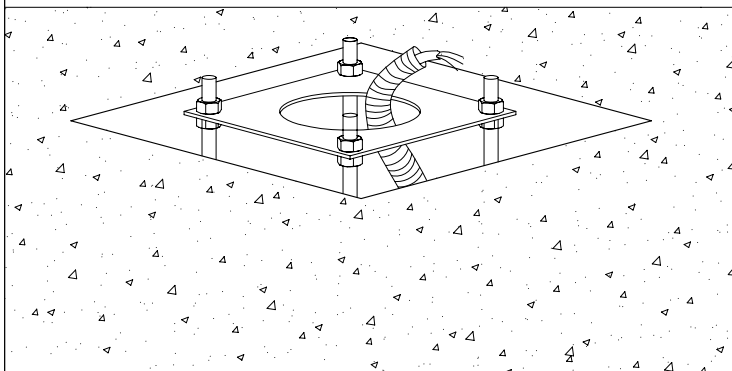
DLOR 23.48 %

RN 18.25 %

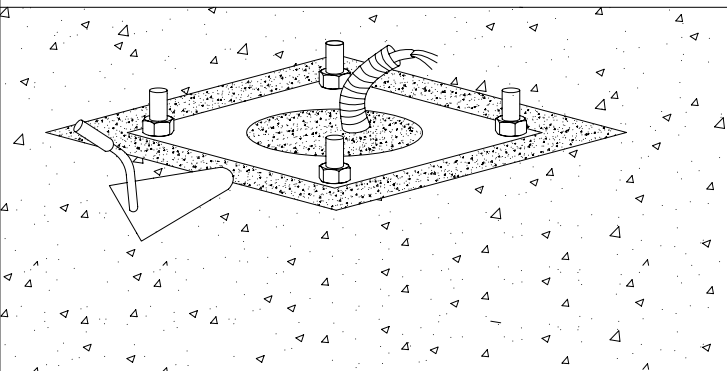




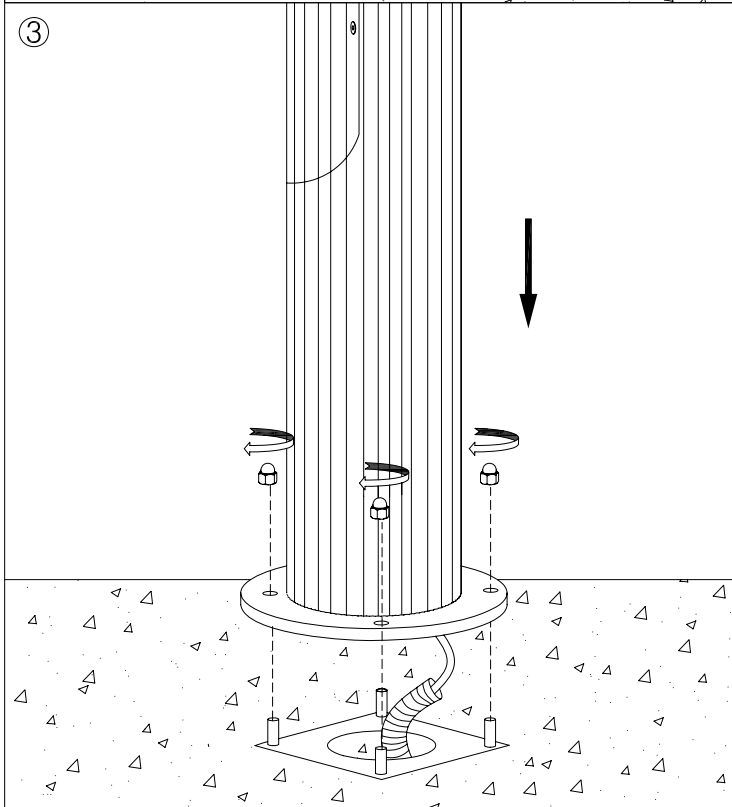
①



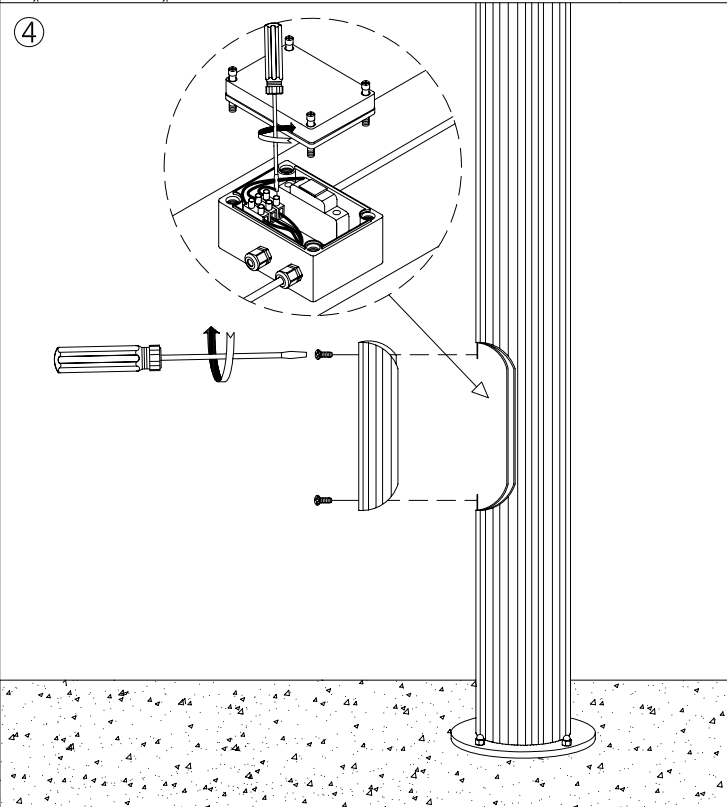
②



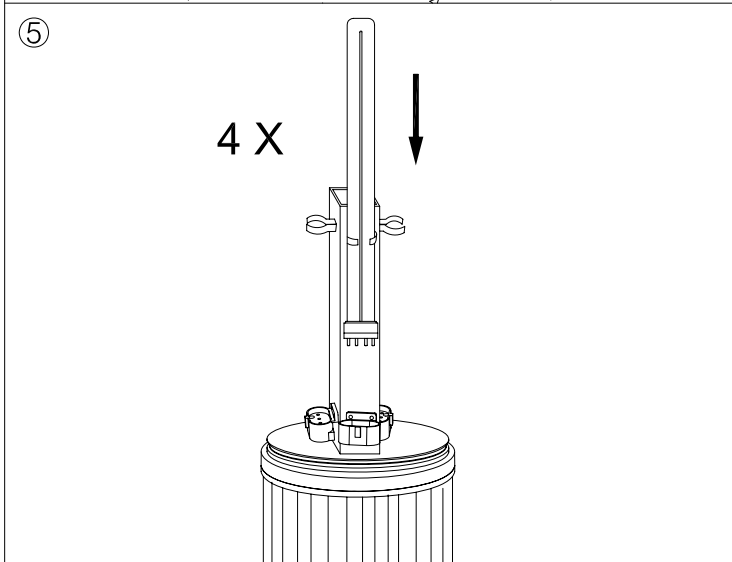
③



④



⑤



⑥

