

OUT 

BALIZAS
55-9336-Z5-M3

TECHNICAL CHARACTERISTICS

Type:	Beacon
IP Protection degrees:	IP44
IK Protection degrees:	IK08
Light source 1:	1 x E27 100W Maximum lamp length: 140.00 mm Maximum lamp diameter: 55.00 mm
Total power consumption (W):	100
Voltage / Frequency:	220-240V/50-60Hz
Warranty (Years):	2
Units per box:	4
Net Weight (Kg):	2.41
EAN:	8435111076026



MATERIALS / FINISHES

Structure material: High purity aluminium

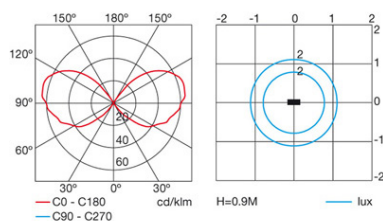
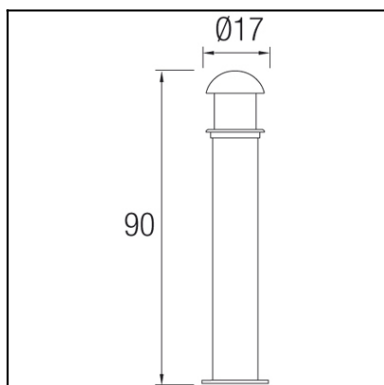
Diffuser material: Polycarbonate

Structure finish: Urban grey

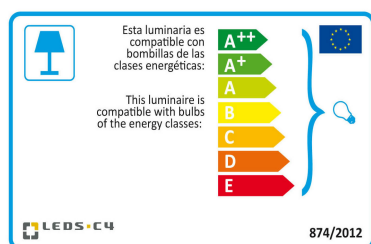
Diffuser finish: Matt



The photograph may not match the reference exactly. Please read the product description to identify the finish.



Download photometric file .ldt / .ies



Click on image to download energy label

LEADS-C4 reserves the right to make the necessary technical changes they deem adequate, in order to improve the features of the product.

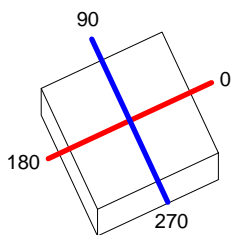
Please consult the sales team to clarify any doubt.

(+34) 973 468 100
leds-c4@leds-c4.com
www.leds-c4.com

Luminaire		Measur.		Lamp		
Code	55-9336-34-Z5	Code	LEDS020	Code	TC-DSE 23W	
Name	BALIZAS	Name	BALIZAS	Number	1	
Line	Eulumdat	Date	29-04-1994	Position		
Efficiency	49.00%	Coordinate system	CG	Total Flux	1500.00 lm	
Maximum value	97.65 cd	Position	C=40.00 G=105.00	Asymmetrical		
Rectangular Luminaire	Length	170 mm	Width	170 mm	Height	900 mm
Rectangular Luminous Area	Length	90 mm	Width	90 mm	Height	0 mm
Horizontal Luminous Area	0.008100 m2	Emitting area on Plane 180°		0.000000 m2		
Emitting area on Plane 0°	0.000000 m2	Emitting area on Plane 270°		0.000000 m2		
Emitting area on Plane 90°	0.000000 m2	Glare area at 76°		0.001960 m2		
Symmetry Type	Asymmetrical	Maximum Gamma Angle		180		
Measurement Distance	0.00	Measurement Flux		1500.00 lm		
Operator		Source voltage				
Temperature	25.00 °C	Source current				
Humidity	60.00 %	Photocell				
Notes						

Luminaire Lamps						
Line	Code	Name	Flux [lm]	Pow. [W]	Q.ty	
Eulumdat	TC-DSE 23W	TC-DSE 23W	1500.00	0.00	1	
C.I.E.	2 24 58 44 49	D DIN 5040				
F UTE	--	B NBN				
		C12				BZ 10

170mm x 170mm



C Halfplanes

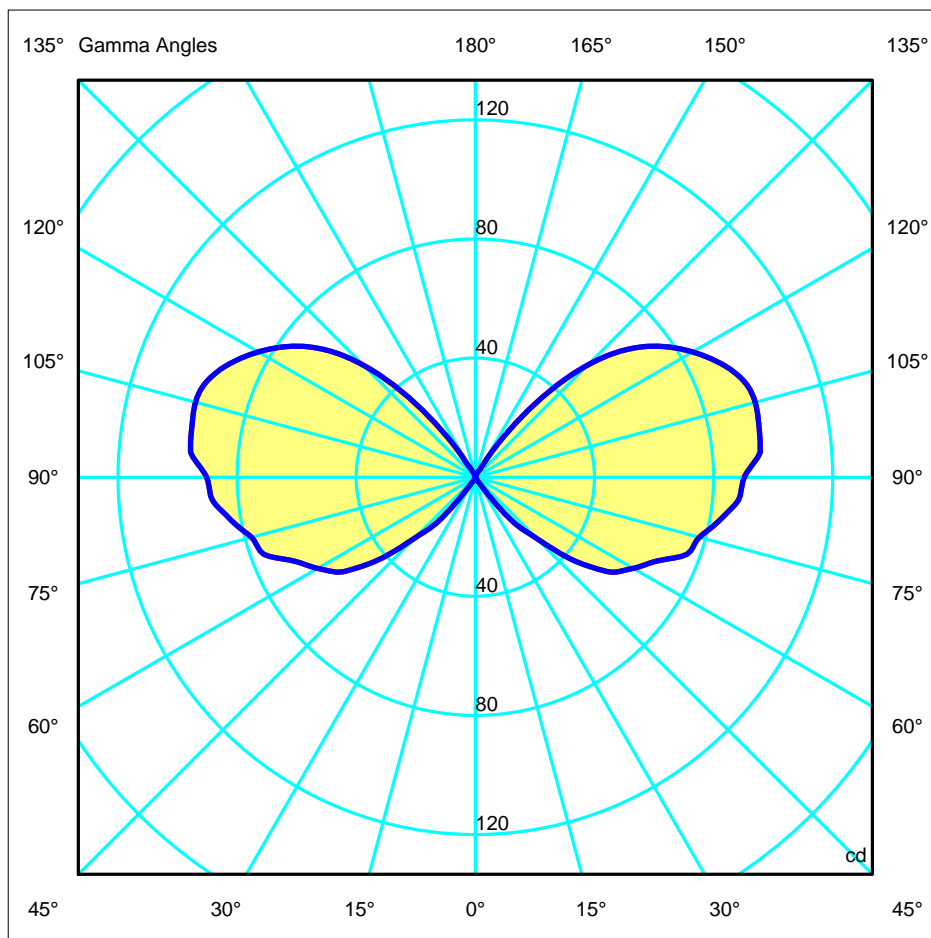
180.0 — 0.0

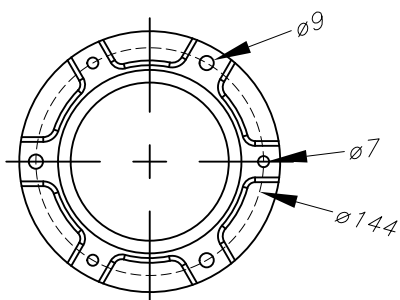
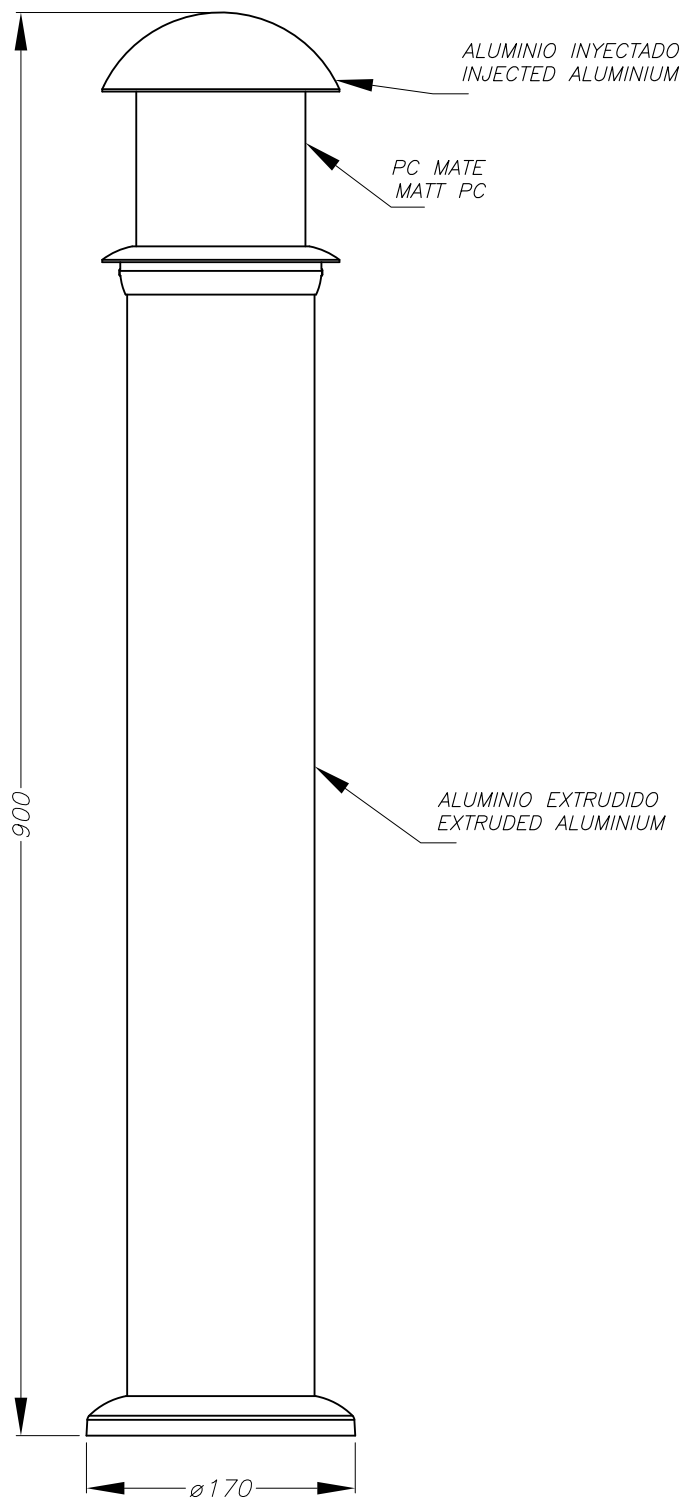
270.0 — 90.0

ULOR 27.44 %

DLOR 21.56 %

RN 56.00 %





PLANTILLA DE INSTALACIÓN
INSTALLATION TEMPLATE

