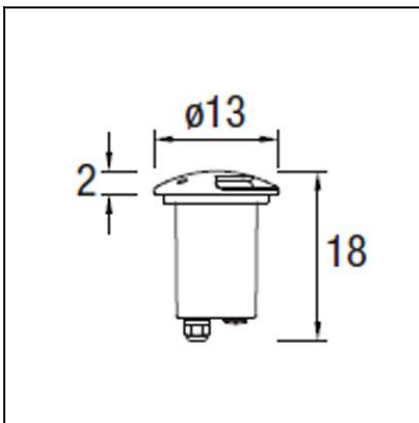




The photograph may not match the reference exactly. Please read the product description to identify the finish.

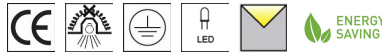


DESCRIPTION

May be flush mounted into the floor. Body produced in techno-polymer, lamp head in high grade aluminium and diffuser in frosted polycarbonate. Available in 12 different versions depending on the number of panes (one, two or four), on the finish (light or dark grey) and the light source (E-27 or LED). This version includes a 4,100K signal LED with a total output of 128 lm and includes a 230V driver. The E-27 version is compatible with LED and compact fluorescent lights (not supplied). IP67 and IK10. Its wire outlets on both sides makes it suitable for an array installation. Includes flush mounting box. Option of separate purchase of a coloured reflector accessory.

TECHNICAL CHARACTERISTICS

Type:	Uplight
IP Protection degrees:	IP67
IK Protection degrees:	IK10
Bulb:	12 x LED. Neutral white (5000 - 3700 K)
Power (W):	total 1W
Voltage / Frequency:	230V/50-60Hz
Units per box:	4
Net Weight (Kg):	0.775
EAN:	8435111075180



MATERIALS / FINISHES

Structure material: High purity aluminium
Technopolymer

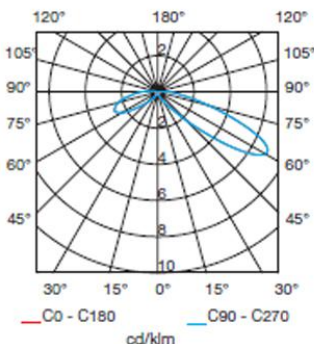
Diffuser material: Polycarbonate

Structure finish: Grey

Diffuser finish: Matt

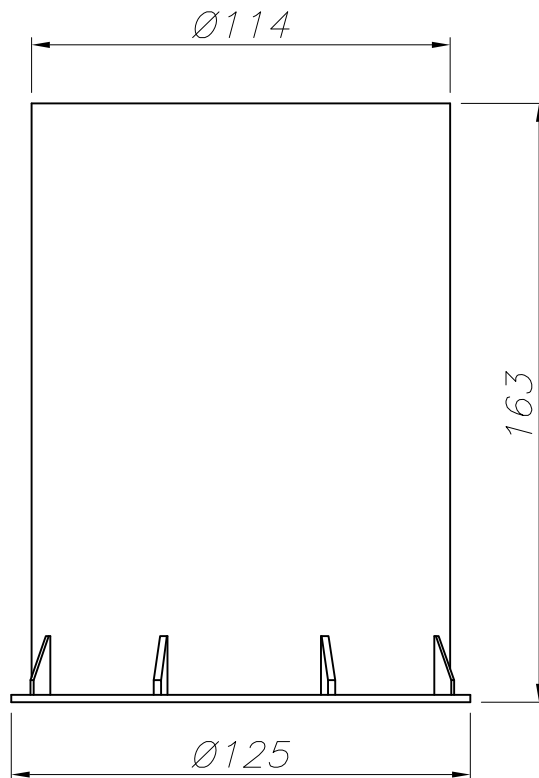
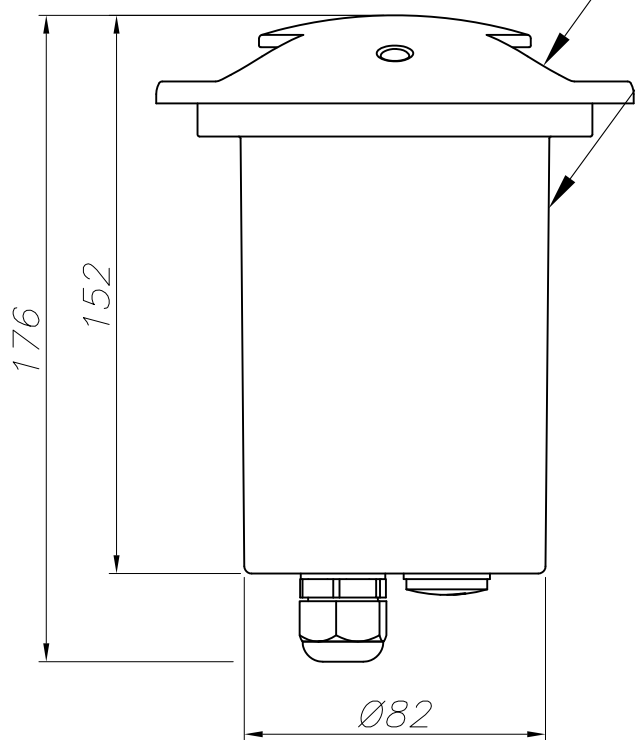
GEAR

Gear included: Yes, electronic

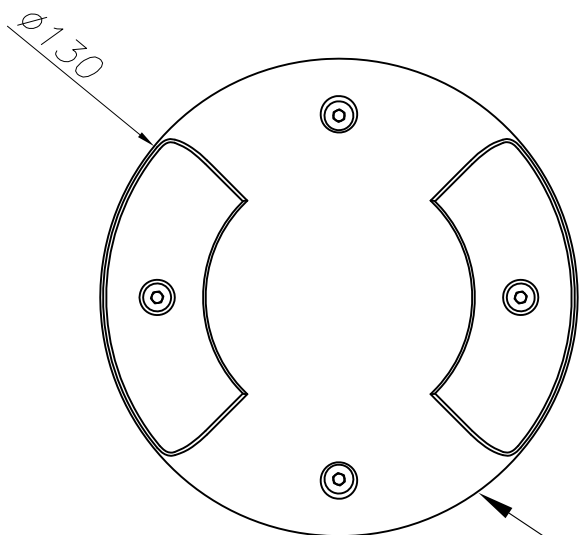


POLICARBONATO SEMITRASPARENTE MATE
SEMITRASPARENT MATT POLYCARBONATE

TECNOPOLÍMERO
TECHNOPOLYMER



CAJA DE EMPOTRAR
FLUSH FITTING BOX



ALUMINIO DE ALTA PUREZA
HIGH QUALITY ALUMINIUM

