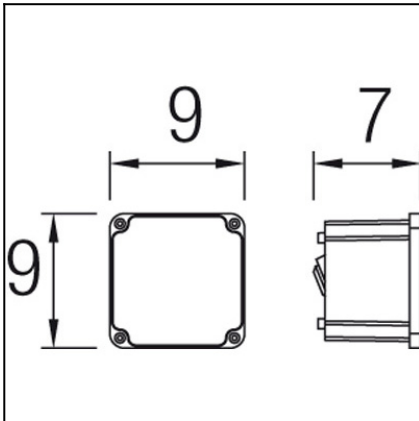




The photograph may not match the reference exactly. Please read the product description to identify the finish.



TECHNICAL CHARACTERISTICS

Type:	Uplight
IP Protection degrees:	IP65
IK Protection degrees:	IK10
Lampholder:	1 x GX53
Power (W):	GX53 max.9W
Voltage / Frequency:	220-240V/50-60Hz
Units per box:	20
Net Weight (Kg):	0.235
EAN:	8435111088937



MATERIALS / FINISHES

Structure material: ABS
Structure finish: Black

Diffuser material: Polycarbonate
Diffuser finish: Matt

