

OUT 

OPAL

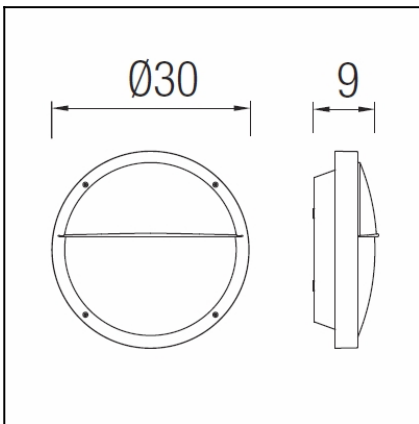
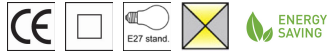
15-9677-14-M1



The photograph may not match the reference exactly. Please read the product description to identify the finish.

TECHNICAL CHARACTERISTICS

Type:	Ceiling fixture
IP Protection degrees:	IP65
IK Protection degrees:	IK10
Lampholder:	2 x E27
Power (W):	E27 2x max.23W
Voltage / Frequency:	220-240V/50-60Hz
Units per box:	12
EAN:	3435381400330



MATERIALS / FINISHES

Structure material: Polycarbonate
Structure finish: White

Diffuser material: Polycarbonate
Diffuser finish: Opal