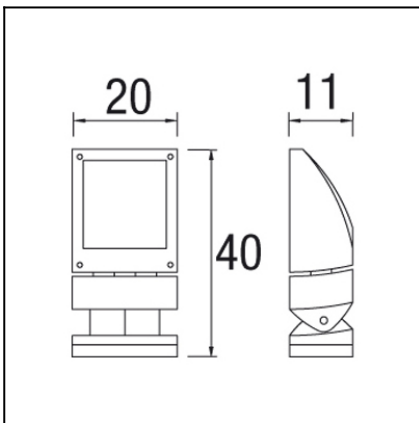




The photograph may not match the reference exactly. Please read the product description to identify the finish.

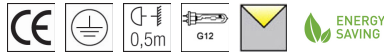


### DESCRIPTION

Straight edged lamp designed for lighting vertical surfaces. Injected aluminium body and tempered glass diffuser. Available in various sizes and finishes: white, light grey, dark grey and brown. Available in different wattages for metal halide lamps, LED and fluorescent lights.

### TECHNICAL CHARACTERISTICS

Type:	Focus
Adjustable $\pm 45^\circ$ on the horizontal axis.	
IP Protection degrees:	IP65
IK Protection degrees:	IK08
Lampholder:	1 x G12
Power (W):	G12 35
Voltage / Frequency:	220-240V/50-60Hz
Units per box:	2
Net Weight (Kg):	4.16
EAN:	8435111088951



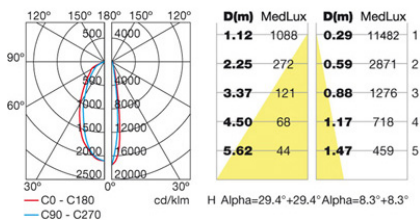
### MATERIALS / FINISHES

**Structure material:** Injected aluminium

**Diffuser material:** Glass

**Structure finish:** Grey

**Diffuser finish:** Tempered



### GEAR

Gear included: Yes, electronic