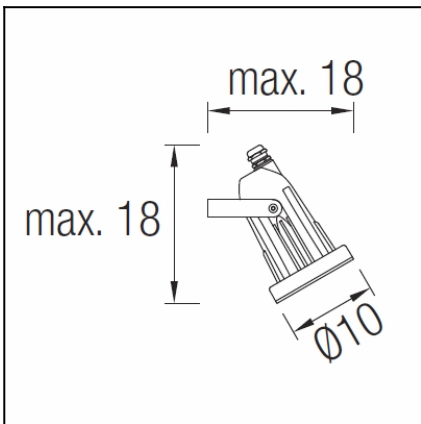


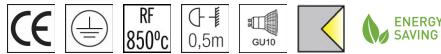


The photograph may not match the reference exactly. Please read the product description to identify the finish.



**TECHNICAL CHARACTERISTICS**

Type:	Spotlight
Adjustable $\pm 90^\circ$ on the horizontal axis.	
IP Protection degrees:	IP65
IK Protection degrees:	IK08
Lampholder:	1 x GU10
Power (W):	GU10 MAX 50W
Bulb included:	1 x GU10 50W
Voltage / Frequency:	220-240V/50-60Hz
Units per box:	12
Net Weight (Kg):	0.675
EAN:	8435111097656



**MATERIALS / FINISHES**

<b>Structure material:</b> Injected aluminium	<b>Diffuser material:</b> Glass
<b>Structure finish:</b> White	<b>Diffuser finish:</b> Transparent

