

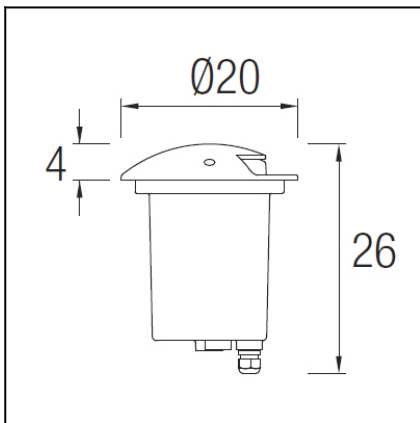
OUT 

# XENA

## 55-9426-34-M3



The photograph may not match the reference exactly. Please read the product description to identify the finish.

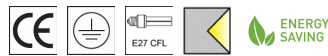


### DESCRIPTION

Straight edged lamp designed for lighting vertical surfaces. Injected aluminium body and tempered glass diffuser. Available in various sizes and finishes: white, light grey, dark grey and brown. Available in different wattages for metal halide lamps, LED and fluorescent lights.

### TECHNICAL CHARACTERISTICS

Type:	Uplight
IP Protection degrees:	IP67
IK Protection degrees:	IK10
Lampholder:	1 x E27
Power (W):	E27 max.20
Voltage / Frequency:	220-240V/50-60Hz
Units per box:	4
EAN:	8435111097946



### MATERIALS / FINISHES

**Structure material:** High purity aluminium  
Technopolymer

**Diffuser material:** Polycarbonate

**Structure finish:** Grey

**Diffuser finish:** Matt

PL 20W

