

# Instruction Manual

For the Espresso Designer Catbox

## *Thank You...*

...for purchasing a Designer Catbox. We hope that you will be very happy with your purchase. Please refer to the following instructions to set up your Catbox.

## *How to Care for your Designer Catbox*

For best results, vacuum out any litter that may be kicked out of the litter pan. Do not try to wipe away litter as this may scratch the paint. After the litter has been vacuumed, you can clean the Catbox using a mild cleaner. Test cleaners in a discrete location first, such as an interior panel, to ensure that there is no adverse reaction. Do not expose Catbox to direct sunlight, drying heat sources, or dampness.

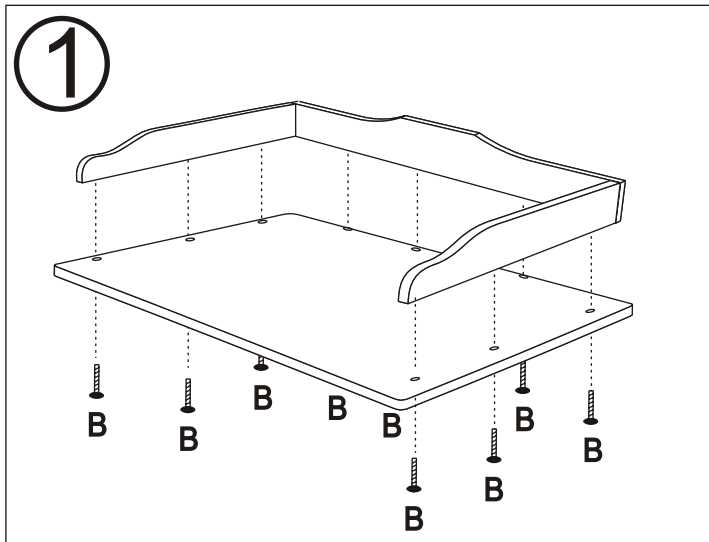
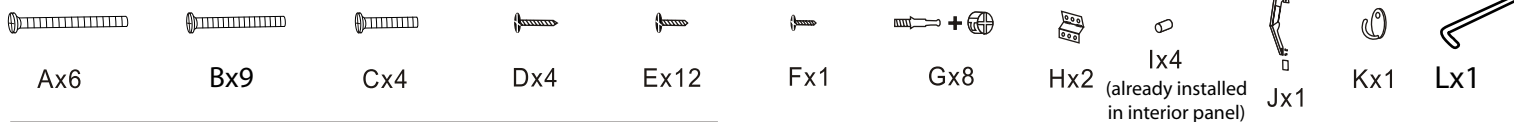
Your Designer Catbox is designed to hold a standard large-sized litter pan that is 18.5 x 15.25 inches. (Note: A larger litter pan will fit in the Designer Catbox if you do not install the interior panel; however, this is not recommended as litter can then be kicked out of the box.)

## *Warnings*

- ◆ Before assembled, keep small parts away from children to avoid choking.
- ◆ This not a children's product. Keep children away from product.
- ◆ Do not sit or stand on product as it is not designed as a bench to support the weight of a person.
- ◆ Use caution when closing the top of the Designer Catbox so that your fingers do not get caught.

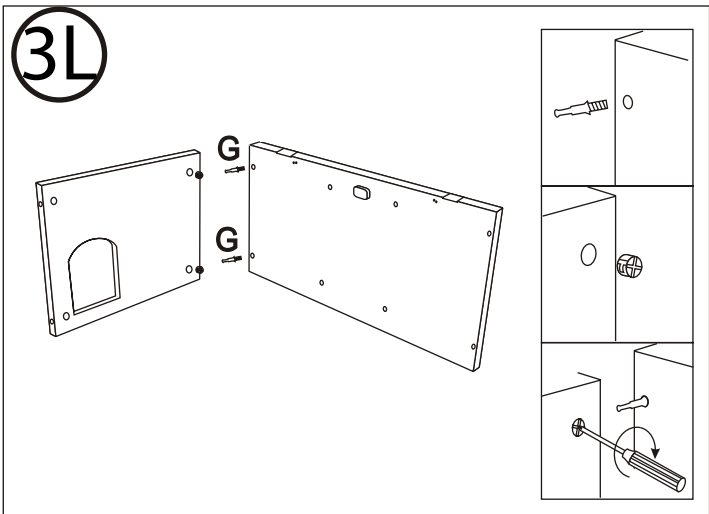
# Instructions for Setup

Please follow these instructions carefully. For setup, you will need a Phillip's head screwdriver.

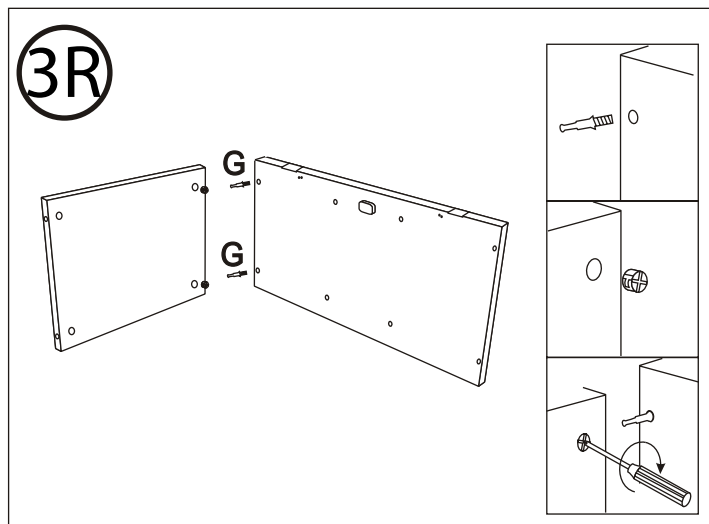


**1** The top piece and the bottom piece look similar. The bottom piece has holes close to the edge on EACH side of the bottom. The top piece only has holes on THREE of the four sides. When installing the edging onto the top piece, ensure that the wood block on the top piece is facing down. Screw in B carefully - Do not overtighten.

**2** Now decide if you would like to put the exterior opening of your Designer Catbox on the right or the left side. If you would like to put the exterior opening on the left side, follow step **3L**. If you would like to put the exterior opening on the right side, follow step **3R**.



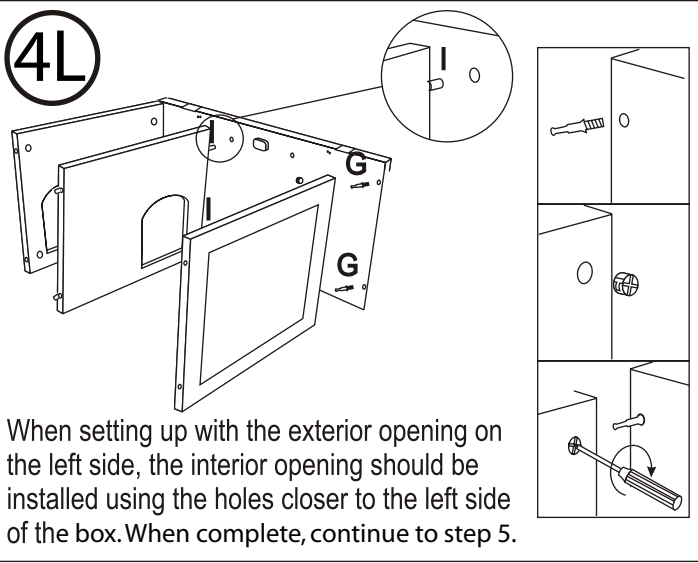
**3L** Select the side piece with the outer opening. The piece with the outer opening has a frame around the opening. Position the back piece so that the wood square is on the inside top side. Install piece with the outer opening with the rounded edge up.



**3R** Select the side piece that has a frame, but no opening. Position back piece so that the wood square is on the inside top side. Install the side piece up. The bottom of the side piece has a hole in the middle.

**3L and 3R** Start by screwing two posts into the back piece. Slide side piece over the posts. Push locking piece into the hole on outside piece. Make sure that the locking hooks are open so that after it is pushed into the hole, you can twist it clockwise and the locking hooks will lock around the posts. Do not overtighten!

**Now continue to steps 4L or 4R on the next page.**



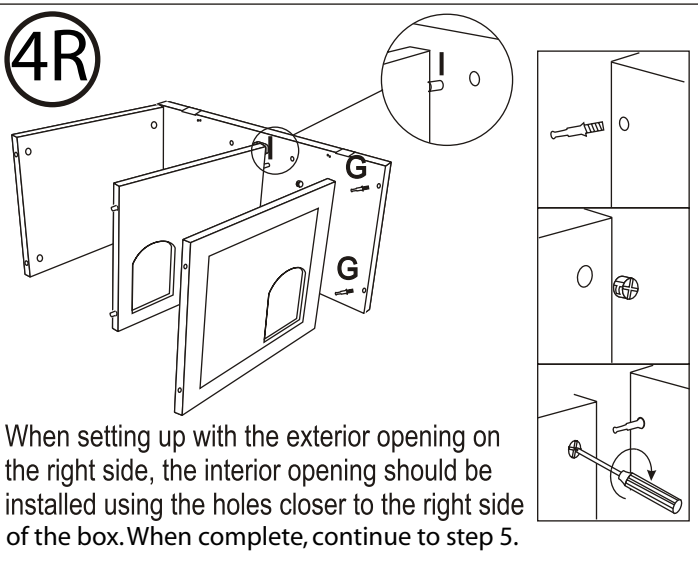
When setting up with the exterior opening on the left side, the interior opening should be installed using the holes closer to the left side of the box. When complete, continue to step 5.

## 4L

Select the side piece with no opening. The side piece has a frame. Install the side piece with the hole on the bottom. The interior panel has wooden pegs (part I) already installed. Install the interior panel with the opening toward the back of the box so the holes will be staggered.

## 4R

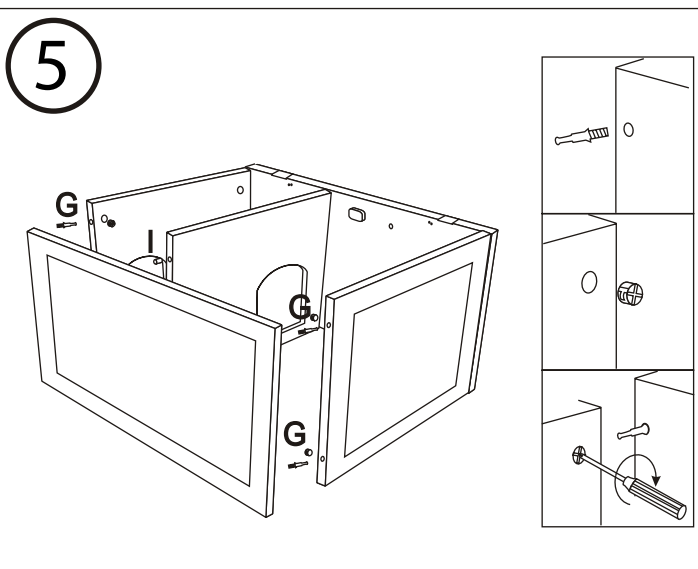
Select the side piece with the outer opening. The piece with the outer opening has a frame around the opening. Install this piece with the rounded edge up. The interior panel has wooden pegs (part I) already installed. Install the interior panel with the opening toward the front of the box so the holes will be staggered.



When setting up with the exterior opening on the right side, the interior opening should be installed using the holes closer to the right side of the box. When complete, continue to step 5.

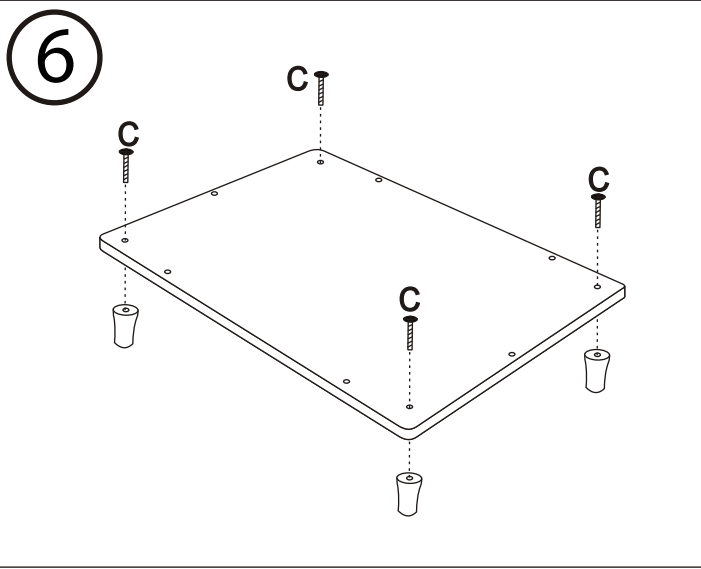
## 4L and 4R

Screw the two posts into the back piece. Slide outside piece over the posts. Push the locking piece into the hole on the piece with the outer opening. Make sure that the locking hooks are open so that after it is pushed into the hole, you can twist it clockwise and the locking hooks will lock around the posts. Do not overtighten!



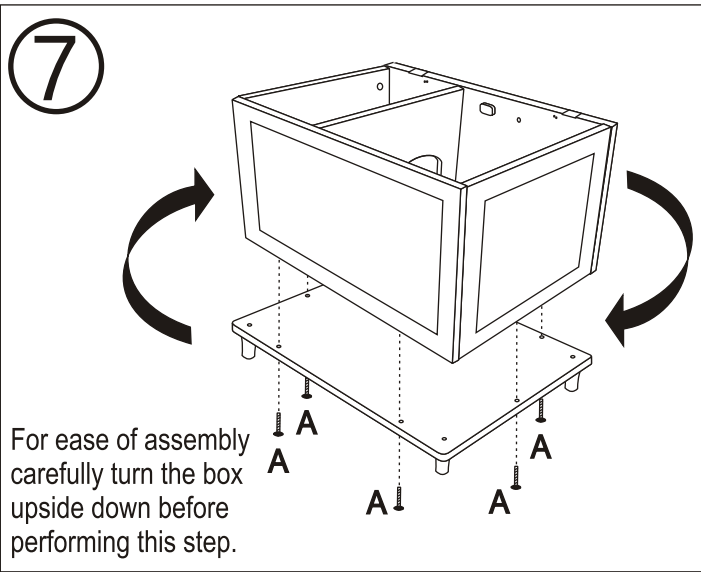
## 5

Install the front piece by sliding the front piece on the side panels over the posts and interior panel's pegs. Insert locking screw into the hole so that the locking screw's hooks are open to ensure that it will lock around the post. After the screw is pushed into the hole, twist it clockwise and the locking hooks will lock around the posts. Do not over tighten!



6

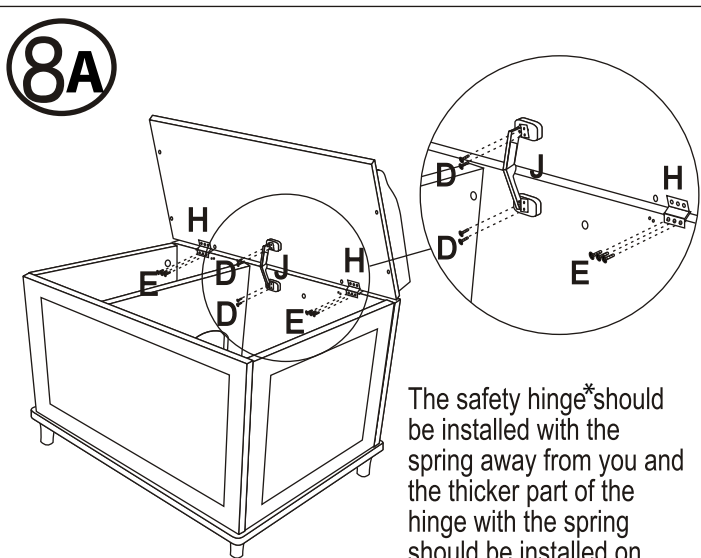
Install the feet onto the bottom piece. When installing the feet onto the bottom piece, ensure that the beveled edge of the bottom piece is facing up.



7

Install the bottom piece to the box. After turning the box upside down, screw the screws into the bottom of the box. Note: the two front corners have rounded edges, the back do not.

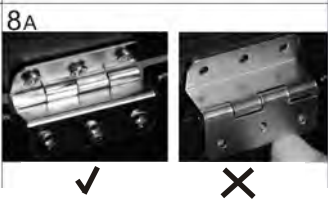
For ease of assembly carefully turn the box upside down before performing this step.



8A

First, install the side hinges - part H. Find the side of the hinge that is shaped like a right angle. Put this part of the hinge with the right angle into the grooves in the back piece of box. (See picture bottom, left for correct positioning) Use screws E to attach the hinges to the back piece. Next, if possible, have someone hold the top piece in place as you install the E screws into the hinges in the top piece. While the other person holds the lid, install the safety hinge\*, part J, using screws D. Do not over tighten these screws!

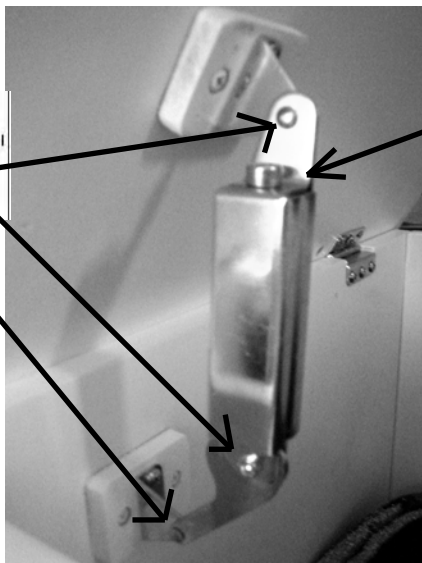
The safety hinge\* should be installed with the spring away from you and the thicker part of the hinge with the spring should be installed on the top board.



\*See step 8B for a picture of a correctly installed safety hinge before completing this step.

8B

Lubricating Oil



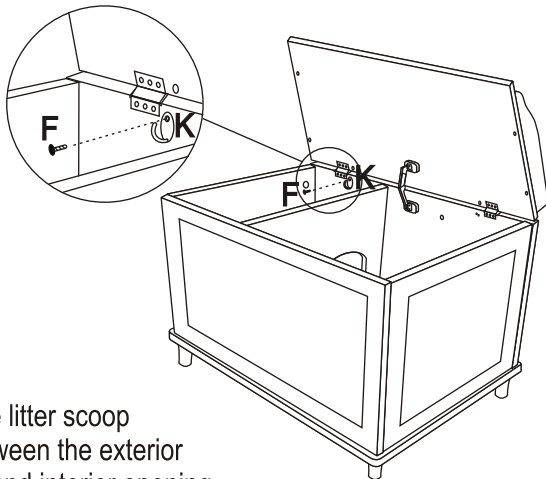
Keep the bottle of enclosed lubricating oil. If the safety hinge tightens or makes noise during use, you can use it on the three areas as shown above to keep the hinge moving.

8B

After installing the safety hinge, **carefully** test the lid to see if it will stay up at the correct angle (see image in step 9 to see how far the lid should open). If needed, use the included wrench, part L, to tighten the screw that is located on the top of the safety hinge by turning clockwise. Do this in small increments, testing as you go to until the lid stays up.

*Over tightening the safety hinge could result in damage.*

9

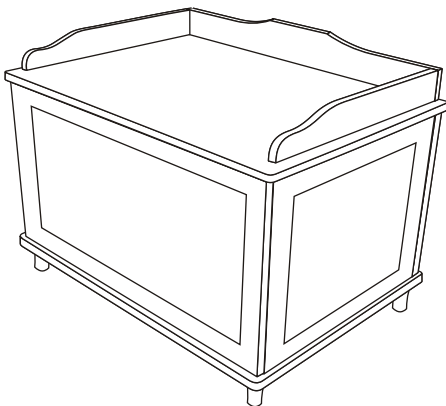


Install the litter scoop hook between the exterior opening and interior opening.

9

Install the litter scoop hook next to the piece with the exterior opening. The hook is installed into the hole in the back panel between the exterior opening and the interior panel.

10



10

Congratulations! You have set up your Designer Catbox. If you need to move your Designer Catbox, it is recommended that you pick it up rather than slide it across the floor.

When you open your Designer Catbox, always do so **slowly** to ensure that it is not opened too far.