

4W LED

- PP-4WLED-WT** - white
- PP-4WLED-BK** - Black
- PP-4WLED-BZ** - Bronze
- PP-4WLED-SA** - Satin Aluminum



Specifications

• Surface Mount or Recess

If recess - 4 1/4" cutout
All mounting hardware for surface and recess mounting included

• Lamp

4W 120V LED
2800K (+/-) 100 170lm output
6W total consumption

• Construction

Die-cast aluminum
Built in die-cast aluminum heat sink
Spring Steel mounting clips and wood screws (included)
Steel strain reliefs for wiring (included)

• Linkable

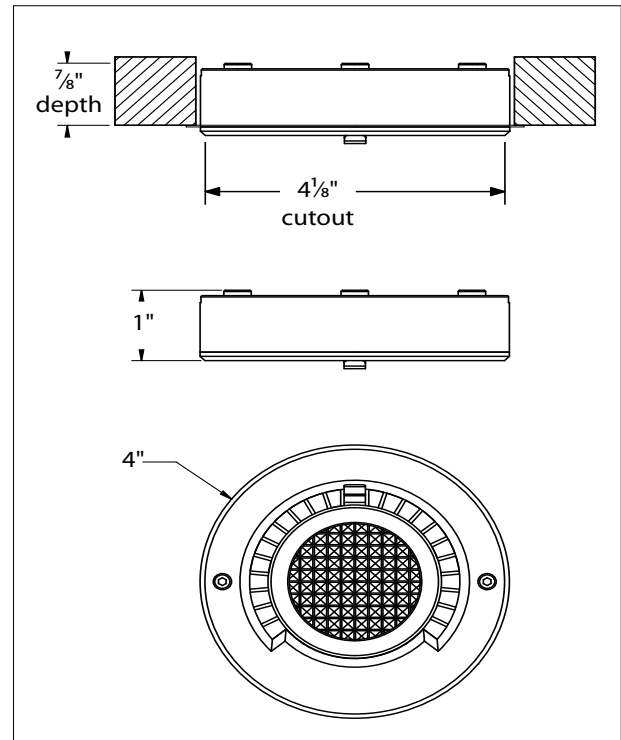
Can be daisy chained up to 100 4W LED Pro Pucks

• Finishes

White, Black, Bronz & Satin Aluminum

• Listings

UL 1598 & 153 listed
© Design copyright



Parameter	Symbol	Value			Unit
		Min	Typ	Max	
Luminous Flux [1]	Φ_v [2]	-	150	-	lm
Illuminance [3]	Φ_l	-	170	-	lx
Correlated Color Temperature [4]	CCT	-	3000	-	K
CRI	R_a	-	70	-	-
Operating Current	I_{opt}	-	40	-	mA [RMS]
Power Dissipation	P_D	-	4	-	W
Operating Frequency	Freq	-	50 / 60	-	Hz
View Angle	2θ 1/2	-	110	-	deg.

