

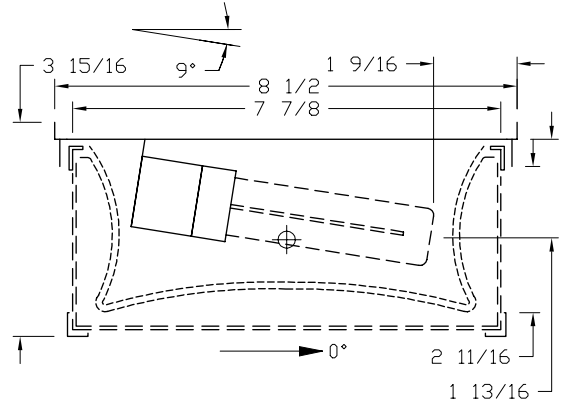
GRAVITY CFL SS1021

CANDELA DISTRIBUTION

	0.0	90.0	180.0	270.0
0	56.5	56.5	56.5	56.5
5	56.4	56.3	55.9	55.8
15	55.9	55.7	54.8	54.5
25	55.9	55.8	52.1	51.9
35	56.1	54.7	48.4	48.9
45	54.4	51.7	43.3	44.8
55	50.4	46.6	36.8	39.3
65	44.3	39.4	28.6	32.1
75	37.3	31.8	19.7	24.1
85	33.1	26.9	12.7	18.0
90	32.6	26.2	12.0	17.4
95	31.8	25.6	12.0	17.3
105	29.6	23.7	11.5	16.8
115	25.7	20.2	10.0	14.5
125	20.7	16.1	8.2	11.8
135	14.9	11.5	6.0	8.6
145	9.0	7.1	3.8	5.3
155	4.1	3.3	1.8	2.5
165	1.3	1.1	0.6	0.7
175	0.0	0.0	0.0	0.0
180	0.0	0.0	0.0	0.0

FLUX

0	5.3
5	15.6
15	24.9
25	32.6
35	37.5
45	38.7
55	35.8
65	29.8
75	25.0
85	23.7
90	21.5
95	17.5
105	12.8
115	8.0
125	4.0
135	1.4
145	0.3
155	0.0
165	0.0
175	0.0
180	0.0

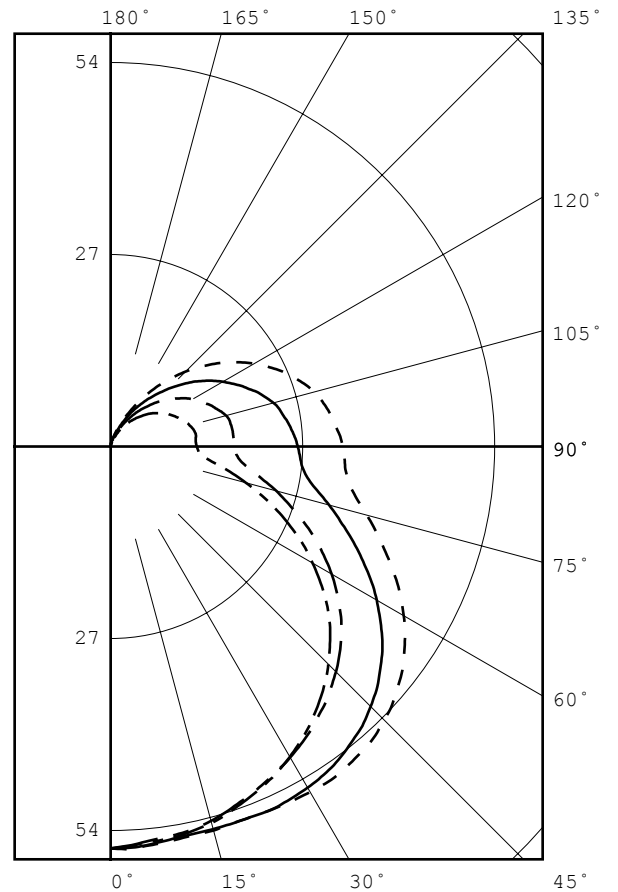


ZONAL LUMEN SUMMARY

ZONE	LUMENS	%LAMP	%FIXT
0- 30	45.9	5.1	13.7
0- 40	78.5	8.7	23.5
0- 60	154.7	17.2	46.3
0- 90	245.3	27.3	73.4
90-120	62.6	7.0	18.7
90-130	75.4	8.4	22.6
90-150	87.4	9.7	26.1
90-180	89.1	9.9	26.6
0-180	334.4	37.2	100.0

LUMINANCE DATA IN CANDELA/SQ M

ANGLE IN DEG	AVERAGE 0-DEG	AVERAGE 90-DEG	AVERAGE 180-DEG
45	1718.	1633.	1368.
55	1740.	1609.	1271.
65	1746.	1553.	1127.
75	1774.	1513.	937.
85	2065.	1678.	792.





A Division of Troy-CSL Lighting, Inc.

ARCHITECTURAL

Project _____

Fixture Type _____

GRAVITY CFL SS1021

CANDELA DISTRIBUTION

	225.0	247.5	270.0	292.5	315.0	337.5	360.0
0.0	56.5	56.5	56.5	56.5	56.5	56.5	56.5
5.0	55.9	55.7	55.8	56.1	56.1	56.2	56.4
10.0	55.5	55.3	55.3	55.6	55.6	55.8	56.0
15.0	54.7	54.4	54.5	54.8	54.9	55.4	55.9
20.0	53.3	53.0	53.2	53.6	54.0	54.8	55.7
25.0	51.7	51.6	51.9	52.7	53.4	54.6	55.9
30.0	49.9	49.9	50.5	51.5	52.7	54.4	56.1
35.0	47.8	48.0	48.9	50.3	51.9	54.1	56.1
40.0	45.4	45.7	47.0	48.8	50.8	53.4	55.5
45.0	42.8	43.3	44.8	47.0	49.5	52.2	54.4
50.0	39.9	40.5	42.3	44.8	47.5	50.4	52.7
55.0	36.5	37.3	39.3	42.2	44.9	48.0	50.4
60.0	32.7	33.6	35.9	39.0	41.8	45.1	47.6
65.0	28.6	29.6	32.1	35.4	38.3	41.7	44.3
70.0	24.2	25.4	28.0	31.6	34.6	38.1	40.7
75.0	19.9	21.2	24.1	27.7	30.9	34.5	37.3
80.0	15.7	17.3	20.3	24.0	27.8	31.6	34.4
85.0	12.9	14.8	18.0	22.1	26.2	30.2	33.1
90.0	12.2	14.2	17.4	21.4	25.7	29.7	32.6
95.0	12.3	14.3	17.3	21.2	25.2	29.1	31.8
100.0	12.5	14.4	17.2	20.8	24.6	28.3	30.9
105.0	12.0	13.9	16.8	20.2	23.8	27.2	29.6
110.0	11.3	13.1	15.7	19.0	22.5	25.7	27.8
115.0	10.5	12.1	14.5	17.6	20.8	23.7	25.7
120.0	9.7	11.1	13.3	16.0	18.9	21.5	23.3
125.0	8.7	10.0	11.8	14.2	16.8	19.1	20.7
130.0	7.6	8.6	10.2	12.2	14.5	16.5	17.8
135.0	6.3	7.2	8.6	10.2	12.0	13.8	14.9
140.0	5.2	5.9	6.9	8.2	9.6	11.0	11.9
145.0	4.0	4.5	5.3	6.2	7.3	8.3	9.0
150.0	2.9	3.2	3.8	4.5	5.2	5.9	6.3
155.0	1.9	2.1	2.5	2.9	3.4	3.8	4.1
160.0	1.0	1.1	1.4	1.7	2.0	2.2	2.3
165.0	0.5	0.6	0.7	0.8	1.0	1.1	1.3
170.0	0.3	0.3	0.3	0.4	0.5	0.6	0.8
175.0	0.0	0.0	0.0	0.0	0.0	0.0	0.0
180.0	0.0	0.0	0.0	0.0	0.0	0.0	0.0

ZONAL LUMEN SUMMARY

0- 5	1.
5- 10	4.
10- 15	7.
15- 20	9.
20- 25	11.
25- 30	14.
30- 35	15.
35- 40	17.
40- 45	18.
45- 50	19.
50- 55	19.
55- 60	19.
60- 65	18.
65- 70	17.
70- 75	16.
75- 80	14.
80- 85	13.
85- 90	12.
90- 95	12.
95-100	12.
100-105	11.
105-110	10.
110-115	9.
115-120	8.
120-125	7.
125-130	6.
130-135	5.
135-140	3.
140-145	2.
145-150	2.
150-155	1.
155-160	0.
160-165	0.
165-170	0.
170-175	0.
175-180	0.

RC RW	80				70				50			30			10			0
	70	50	30	10	70	50	30	10	50	30	10	50	30	10	50	30	10	0
0	42	42	42	42	40	40	40	40	36	36	36	32	32	32	29	29	29	27
1	37	35	33	31	35	33	31	30	30	28	27	27	25	24	24	23	22	20
2	33	30	27	24	31	28	26	23	25	23	21	23	21	19	20	19	18	16
3	30	26	22	20	28	24	21	19	22	19	17	20	18	16	17	16	14	13
4	27	23	19	16	26	21	18	16	19	17	14	17	15	13	15	13	12	11
5	25	20	16	14	24	19	16	13	17	14	12	15	13	11	14	12	10	9
6	23	18	14	12	22	17	14	11	15	13	11	14	11	10	12	10	9	8
7	21	16	13	10	20	15	12	10	14	11	9	12	10	8	11	9	8	7
8	20	15	11	9	19	14	11	9	13	10	8	11	9	7	10	8	7	6
9	18	13	10	8	17	13	10	8	11	9	7	10	8	7	9	7	6	5
10	17	12	9	7	16	12	9	7	11	8	6	10	7	6	9	7	5	5