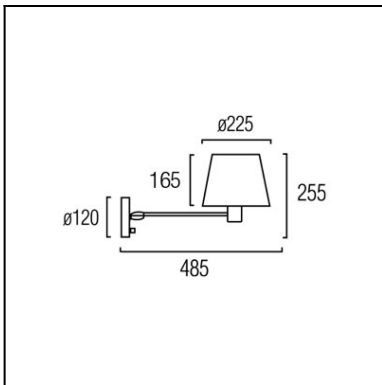


**Design by Benedito Design**

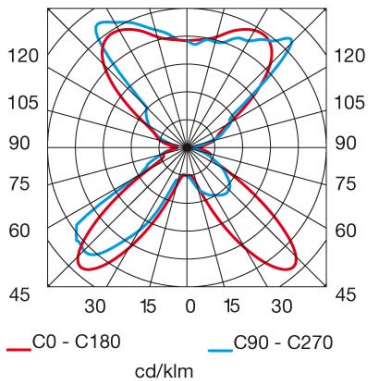
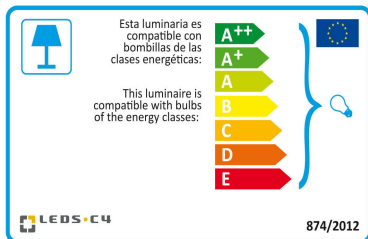

The photograph may not match the reference exactly. Please read the product description to identify the finish.


**TECHNICAL CHARACTERISTICS**

Type:	Wall fixture
Adjustable:	Adjustable $\pm 180^\circ$ on the vertical axis
IP Protection degrees:	IP20
Light source 1:	1 x E27 MAX 60W Maximum lamp length: 140.00 mm Maximum lamp diameter: 60.00 mm
Voltage / Frequency:	220-240V/50-60Hz
Warranty (Years):	2
Units per box:	4
Net Weight (Kg):	0.94
EAN:	8435111048849


**MATERIALS / FINISHES**

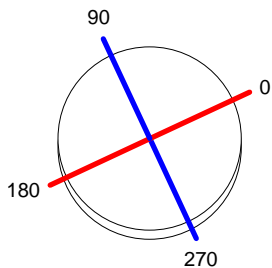
<b>Structure material:</b>	Steel	<b>Diffuser material:</b>	Fabric shade
<b>Structure finish:</b>	Satin nickel	<b>Diffuser finish:</b>	Grey


[Download photometric file .ldt / .ies](#)

[Click on image to download energy label](#)

<b>Luminaire</b>		<b>Measur.</b>		<b>Lamp</b>	
Code	05-0381-81-AJ	Code	05-0382-81-AJ	Code	CLAS A CL 60
Name	Aplique SUITE 60W E27 tela	Name	Aplique SUITE 60W E27 tela	Number	1
Line	Eulumdat	Date	22-09-2010	Position	
Efficiency	61.82%	Coordinate system	CG	Total Flux	710.00 lm
Maximum value	92.12 cd	Position	C=60.00 G=40.00	Sym. on planes	270-90
Round Luminaire	Diam.	230 mm	Height	165 mm	
Round Luminous Area	Diam.	230 mm	Height	165 mm	
Horizontal Luminous Area	0.041548 m2	Emitting area on Plane 180°	0.037950 m2		
Emitting area on Plane 0°	0.037950 m2	Emitting area on Plane 270°	0.037950 m2		
Emitting area on Plane 90°	0.037950 m2	Glare area at 76°	0.046874 m2		
Symmetry Type	Sym. on planes 270-90	Maximum Gamma Angle	180		
Measurement Distance	0.00	Measurement Flux	710.00 lm		
Operator	Asselum	Source voltage			
Temperature	25.00 °C	Source current			
Humidity	60.00 %	Photocell			
Notes					

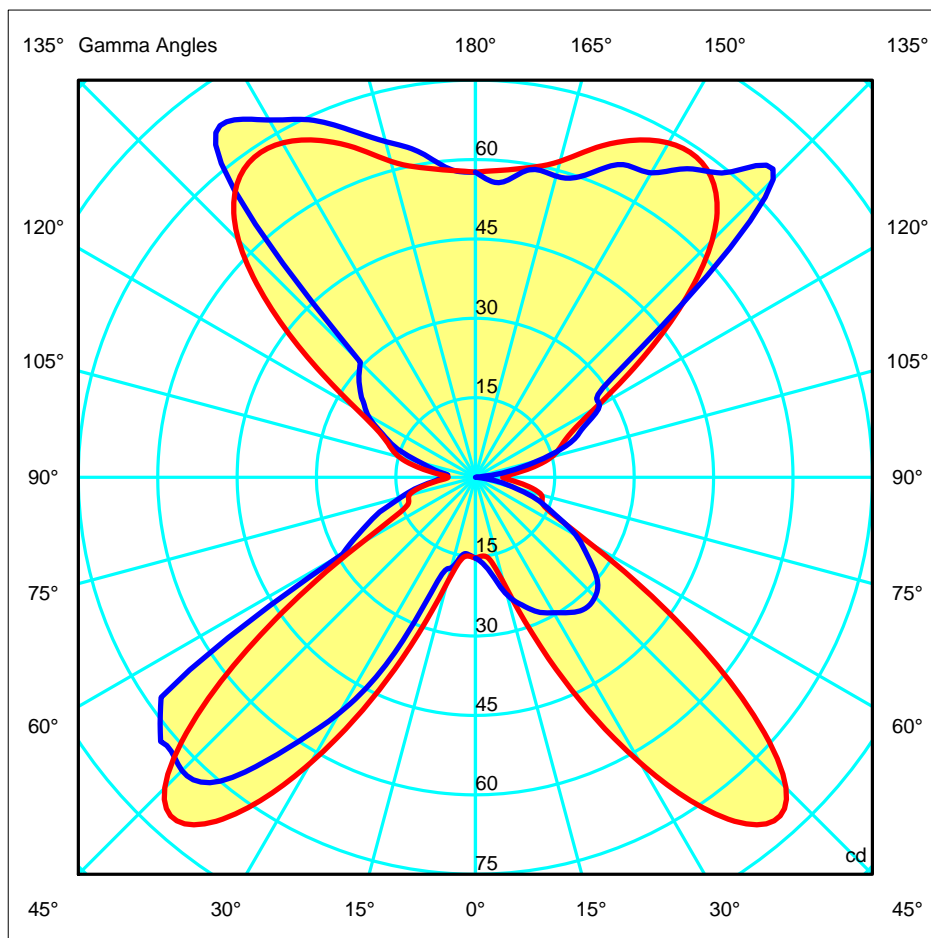
Luminaire Lamps					
Line	Code	Name	Flux [lm]	Pow. [W]	Q.ty
Eulumdat	CLAS A CL 60	CLAS A CL 60 - 60.00 W	710.00	60.00	1
C.I.E.	37 81 94 50 62	D DIN 5040			
F UTE	0.31 F + 0.31 T	B NBN	C21	BZ 6 / 0.8 / BZ 5	

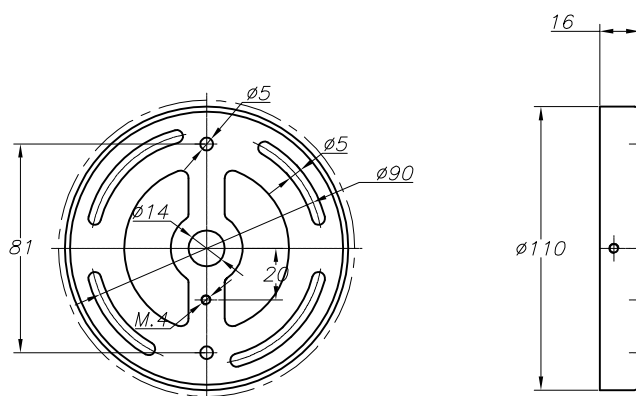
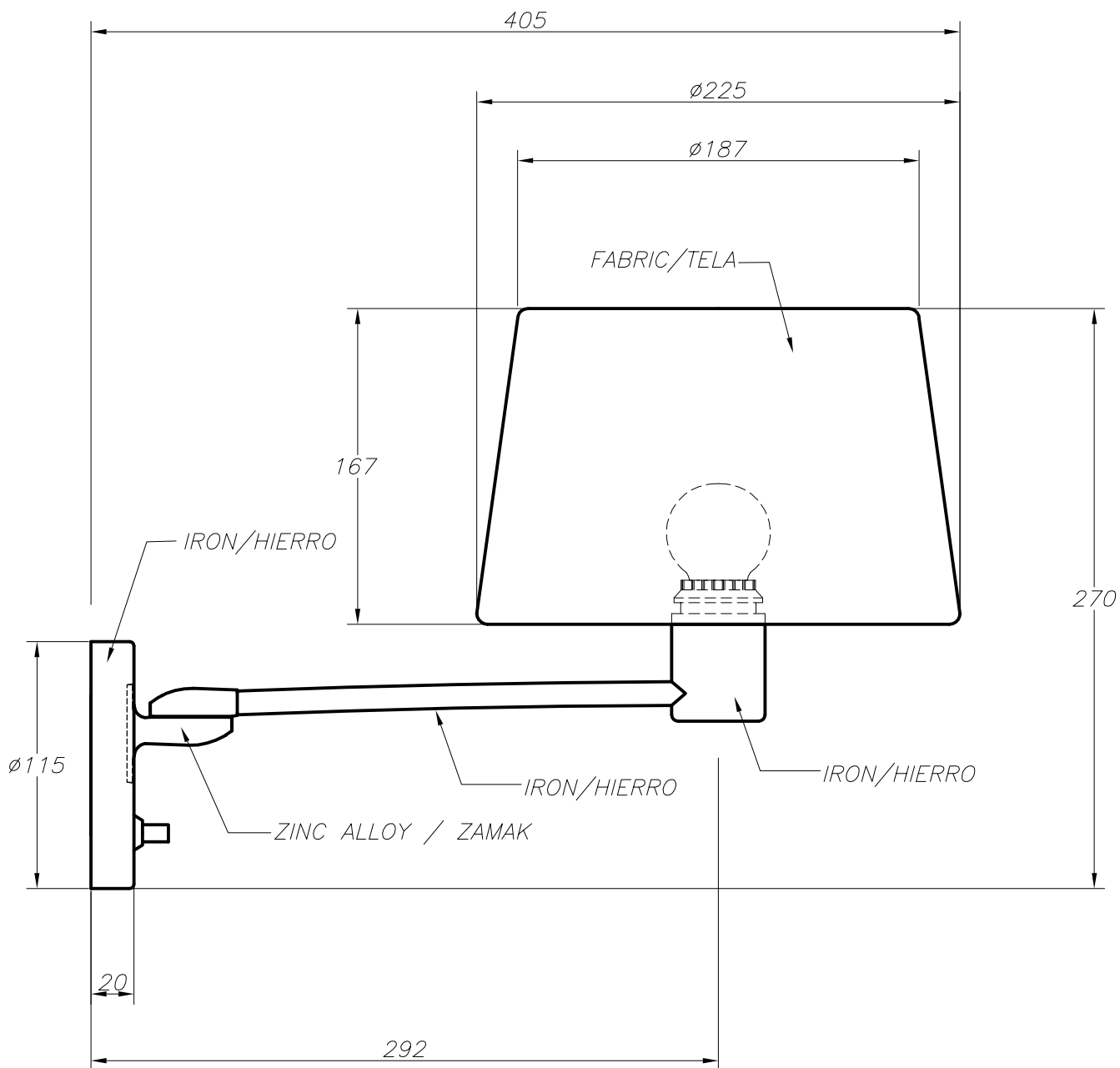
Diam=230mm



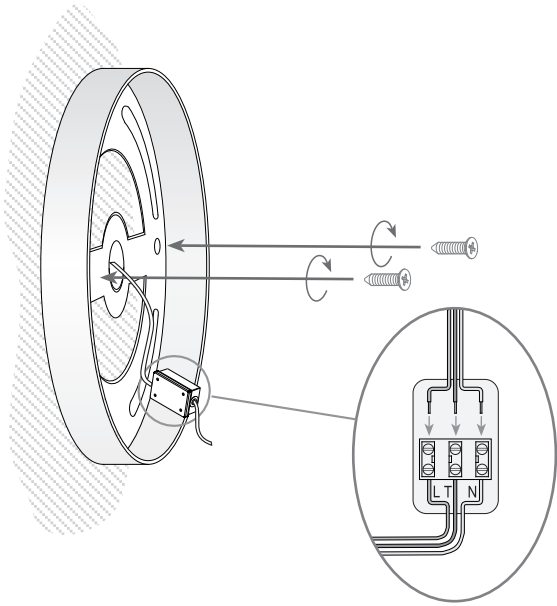
**C Halfplanes**  
 270.0 ————  
 180.0 ———— 0.0  
 ———— 90.0

ULOR      30.72 %  
 DLOR      31.09 %  
 RN        49.70 %

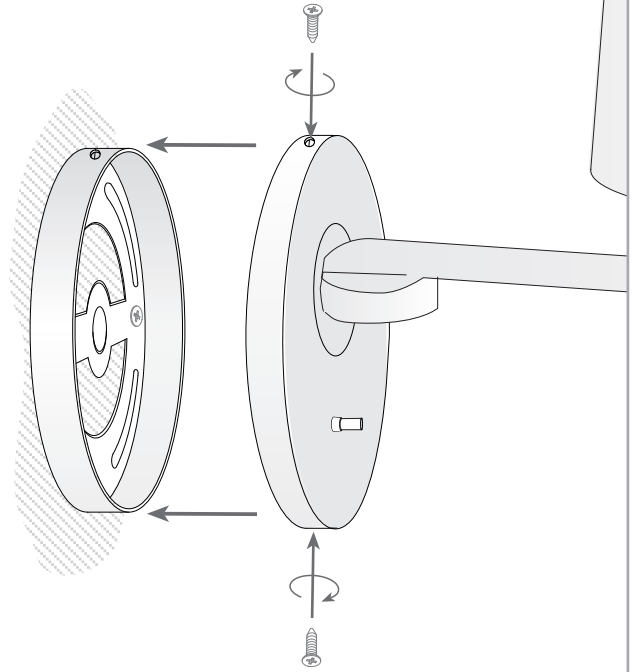




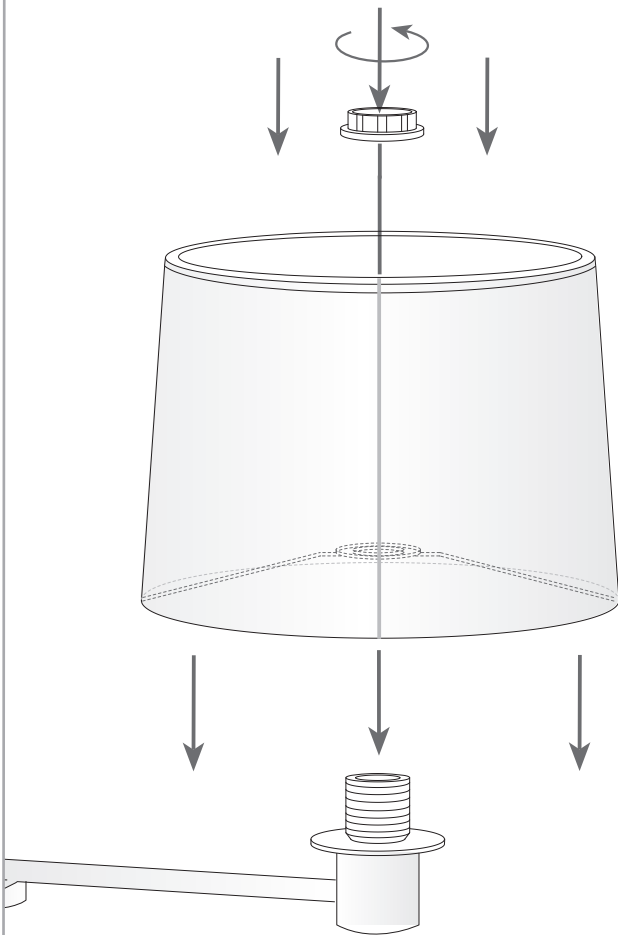
1



2



3



4

