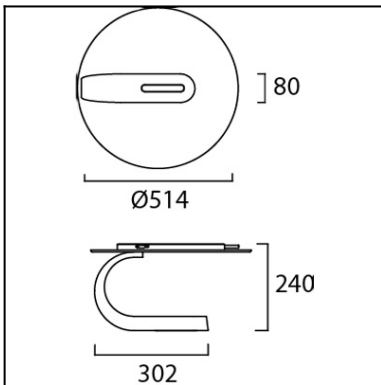


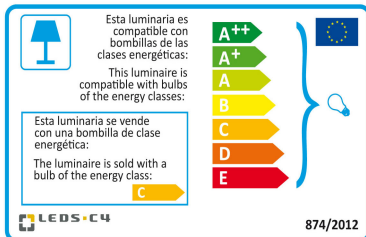
Design by Josep Patsí



The photograph may not match the reference exactly. Please read the product description to identify the finish.



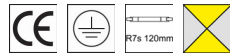
Download photometric file .ldt / .ies



Click on image to download energy label

TECHNICAL CHARACTERISTICS

Type:	Ceiling fixture
IP Protection degrees:	IP23
Light source 1:	1 x R7s MAX 300W Maximum lamp length: 118.00 mm
Bulb included:	1 x R7s 230W
Total power consumption (W):	300
Voltage / Frequency:	230V/50-60Hz
Warranty (Years):	2
Units per box:	1
Net Weight (Kg):	4.74
EAN:	8435111085219



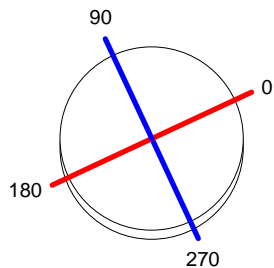
MATERIALS / FINISHES

Structure material:	Aluminium Steel	Diffuser material:	Glass
Structure finish:	Golden leaf	Diffuser finish:	Tinted

Luminaire		Measur.		Lamp	
Code	15-2870-D8-F1	Code	15-2870-D8-F1	Code	64701
Name	Plafón halogen 230W R7s opal	Name	Plafón halogen 230W R7s opal	Number	1
Line	Eulumdat	Date	22-09-2011	Position	
Efficiency	45.15%	Coordinate system	CG	Total Flux	5000.00 lm
Maximum value	686.41 cd	Position	C=15.00 G=15.00	Sym. on planes	270-90
Round Luminaire	Diam.	515 mm	Height	240 mm	
Round Luminous Area	Diam.	515 mm	Height	220 mm	
Horizontal Luminous Area	0.208307 m2	Emitting area on Plane 180°	0.113300 m2	Emitting area on Plane 270°	0.113300 m2
Emitting area on Plane 0°	0.113300 m2	Glare area at 76°	0.160329 m2		
Emitting area on Plane 90°	0.113300 m2				
Symmetry Type	Sym. on planes 270-90	Maximum Gamma Angle	180	Measurement Flux	5000.00 lm
Measurement Distance	0.00				
Operator	Asselum T2	Source voltage		Source current	
Temperature	25.00 °C	Photocell			
Humidity	60.00 %				
Notes					

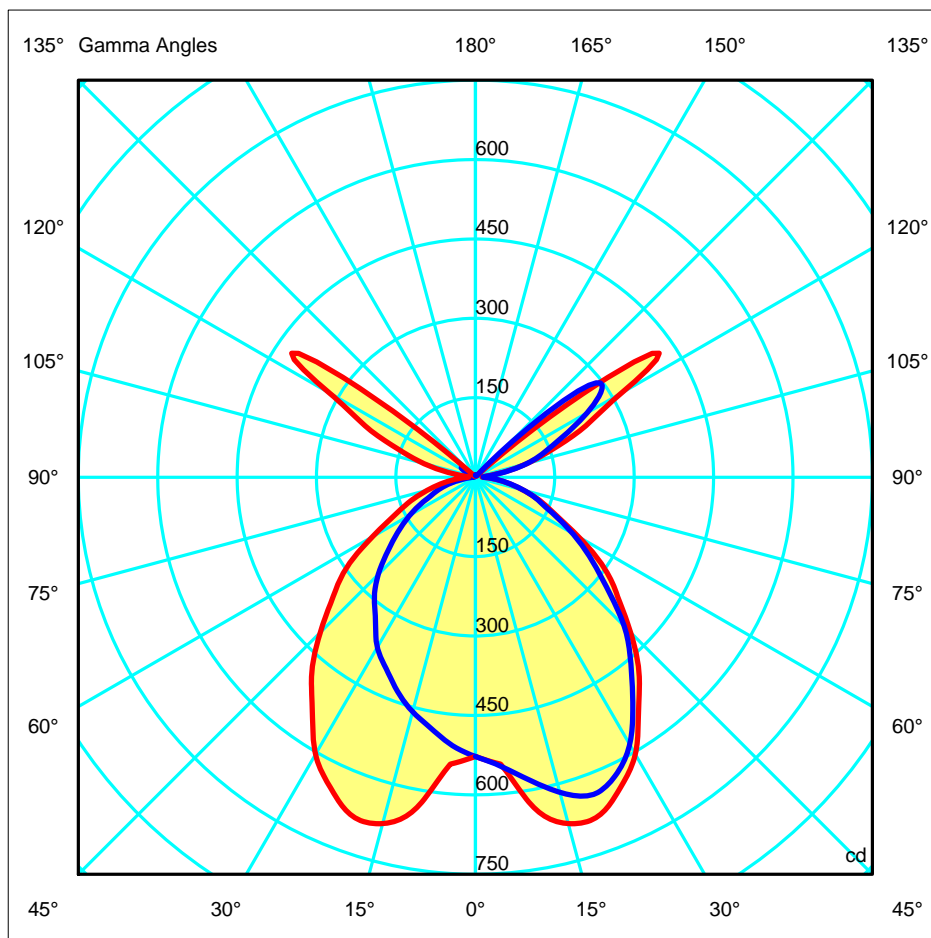
Luminaire Lamps					
Line	Code	Name	Flux [lm]	Pow. [W]	Q.ty
Eulumdat	64701	64701 - 300.00 W	5000.00	300.00	1
C.I.E.	53 83 96 71 45	D DIN 5040		B41	
F UTE	0.32 D + 0.13 T	B NBN		BZ 4	

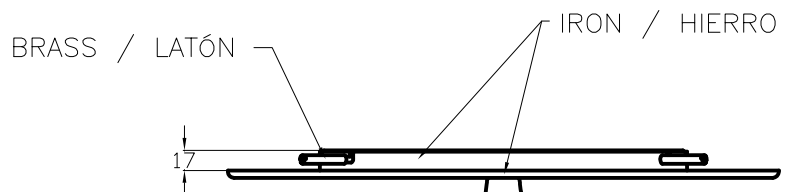
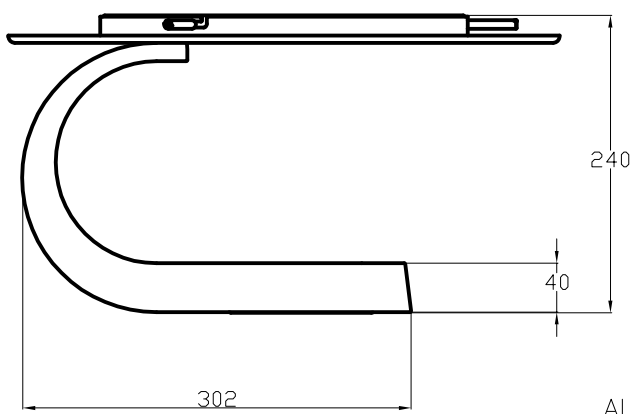
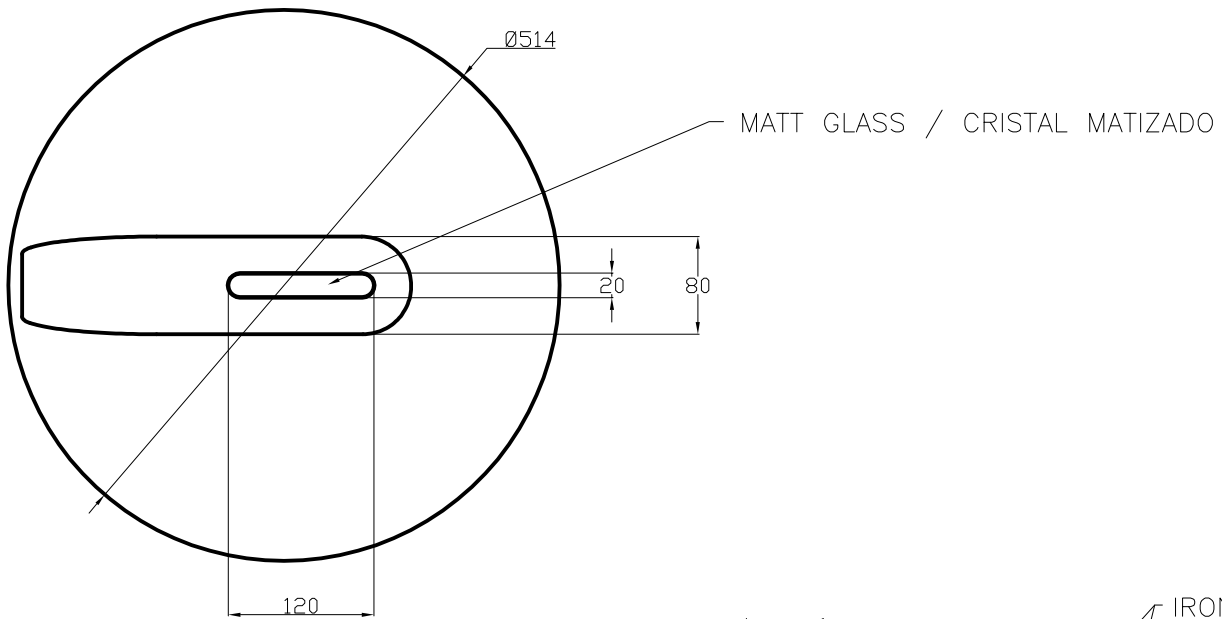
Diam=515mm



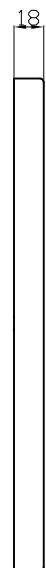
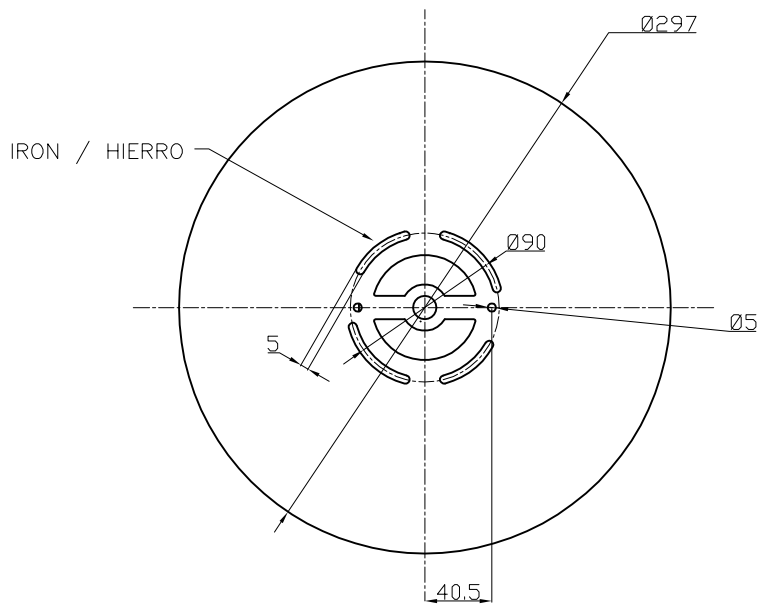
C Halfplanes
 270.0 ————
 180.0 ———— 0.0
 ———— 90.0

ULOR 13.25 %
 DLOR 31.89 %
 RN 29.36 %



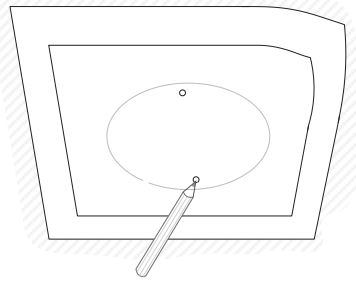


ALUMINIUM / ALUMINIO

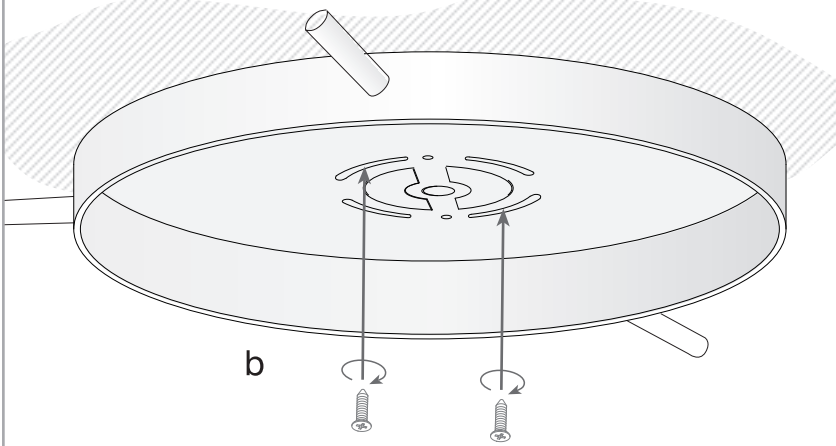


1

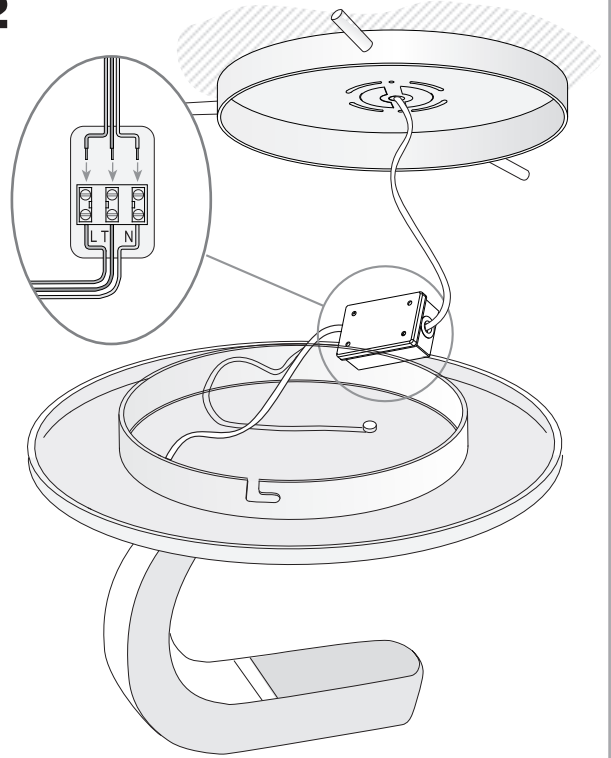
a



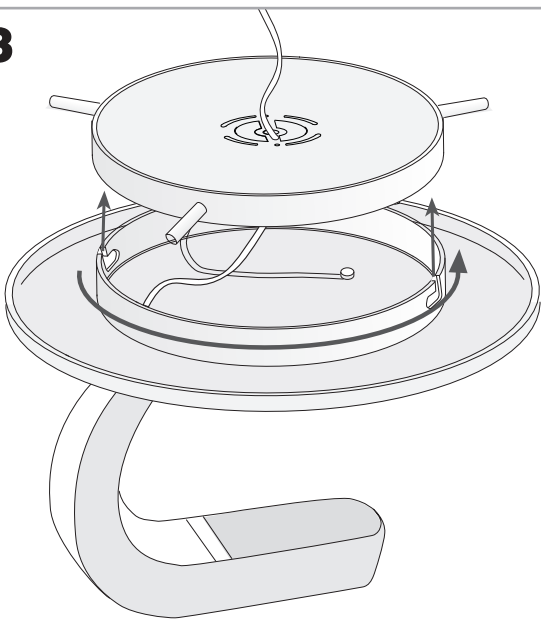
b



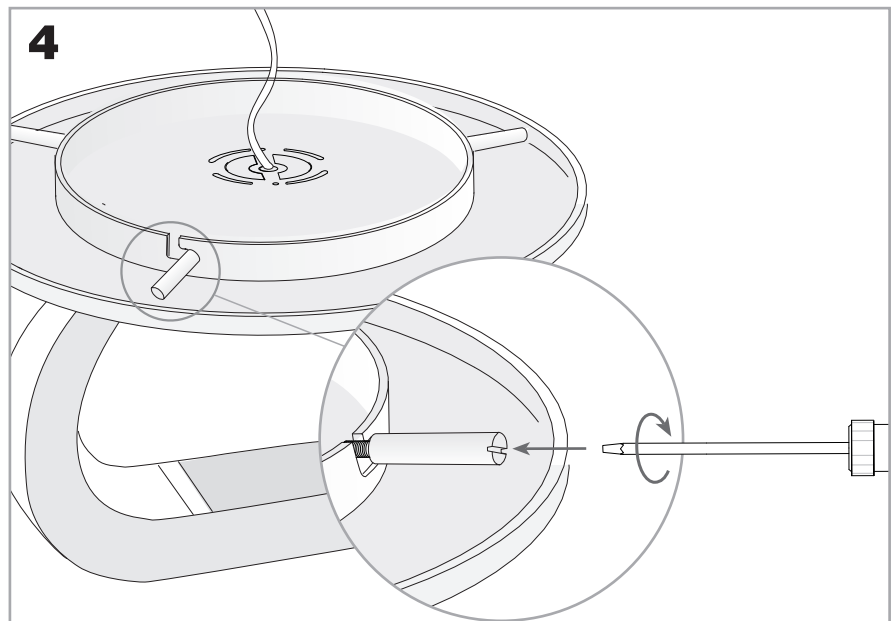
2



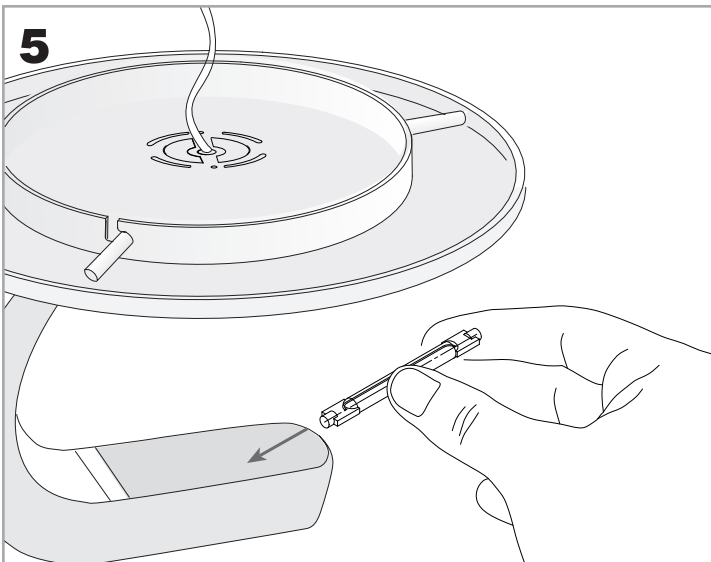
3



4



5



6

