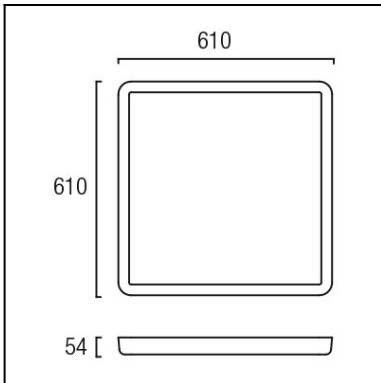
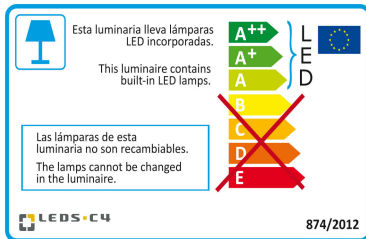


Design by GROK Team


The photograph may not match the reference exactly. Please read the product description to identify the finish.


[Download photometric file .ldt / .ies](#)

[Click on image to download energy label](#)
TECHNICAL CHARACTERISTICS

Type:	Ceiling fixture
IP Protection degrees:	IP20
Light source 1:	672 x LED Refond 55 Warm White - 3000K 5280 lm ^(N) CRI 80
Voltage / Frequency:	110-240V/50-60Hz
Warranty (Years):	2
Option to extend the guarantee (Years):	5
Units per box:	1
Net Weight (Kg):	8.2
EAN:	8435381403065


MATERIALS / FINISHES

Structure material:	Polyurethane Aluminium	Diffuser material:	Polystyrene
Structure finish:	Matt white	Diffuser finish:	Opal

GEAR

Multi-voltage electronic gear included (110-240 V / 50-60 Hz)
Dimming protocol: 1..10V

Lm^(N): Nominal flow of light in actual working conditions. Its actual flow will depend on the environmental conditions and the efficiency of the optics and/or diffuser.

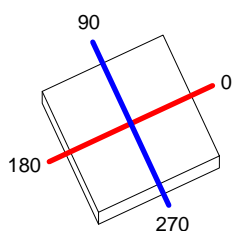
LEDS-C4 reserves the right to make the necessary technical changes they deem adequate, in order to improve the features of the product.

Please consult the sales team to clarify any doubt.

Luminaire		Measur.		Lamp		
Code	15-0835-BW-M1	Code	15-0003-BW-M1	Code	15-0003-BW-M1	
Name	Plafón led GROK 40W Dimmable	Name	Plafón led GROK 40W Dimmable	Number	1	
Line	Eulumdat	Date	11-03-2013	Position		
Efficiency	100.00%	Coordinate system	CG	Total Flux	3056.60 lm	
Maximum value	1070.56 cd	Position	C=0.00 G=0.00	Double Symmetrical		
Rectangular Luminaire	Length	615 mm	Width	615 mm	Height	55 mm
Rectangular Luminous Area	Length	550 mm	Width	550 mm	Height	0 mm
Horizontal Luminous Area	0.302500 m2	Emitting area on Plane 180°		0.000000 m2		
Emitting area on Plane 0°	0.000000 m2	Emitting area on Plane 270°		0.000000 m2		
Emitting area on Plane 90°	0.000000 m2	Glare area at 76°		0.073181 m2		
Symmetry Type	Double Symmetrical	Maximum Gamma Angle		90		
Measurement Distance	0.00	Measurement Flux		3056.60 lm		
Operator	Asselum T2	Source voltage				
Temperature	25.00 °C	Source current				
Humidity	60.00 %	Photocell				
Notes						

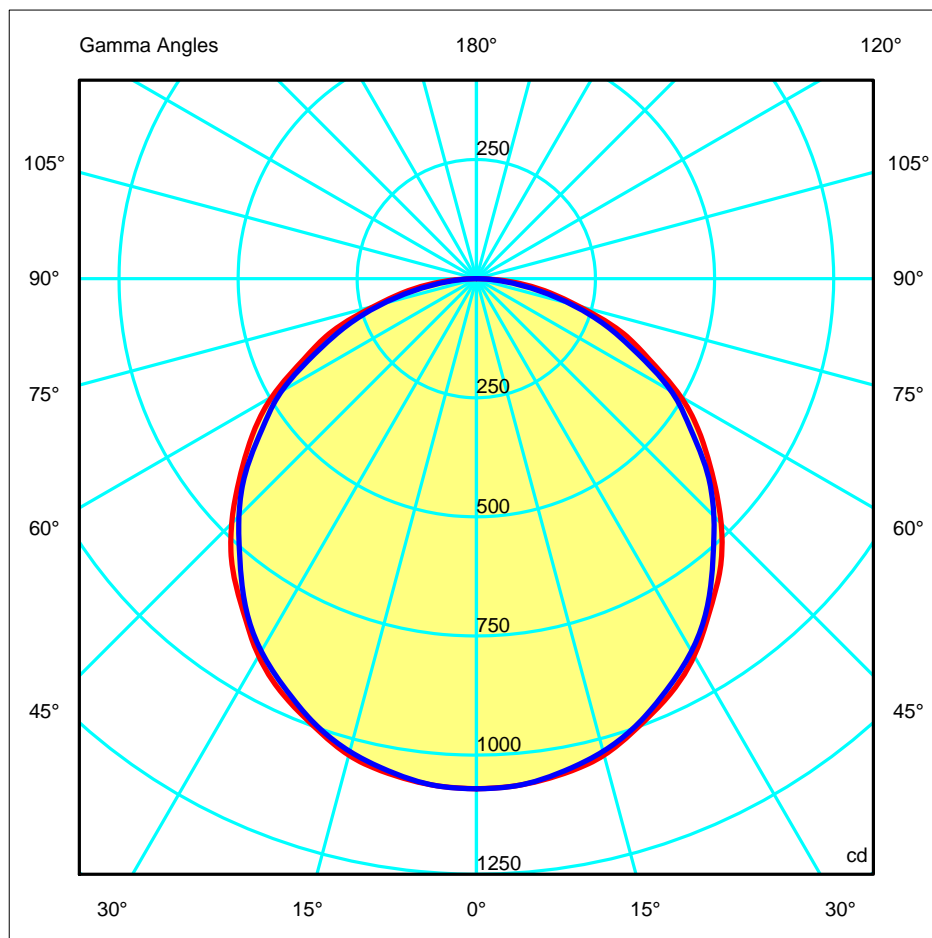
Luminaire Lamps						
Line	Code	Name	Flux [lm]	Pow. [W]	Q.ty	
Eulumdat	15-0003-BW-M1	15-0003-BW-M1 - 40.00 W	3056.60	40.00	1	
C.I.E.	47 78 95 100 100	D DIN 5040				
F UTE	1.00 E	B NBN				
		A30				
		BZ 5				

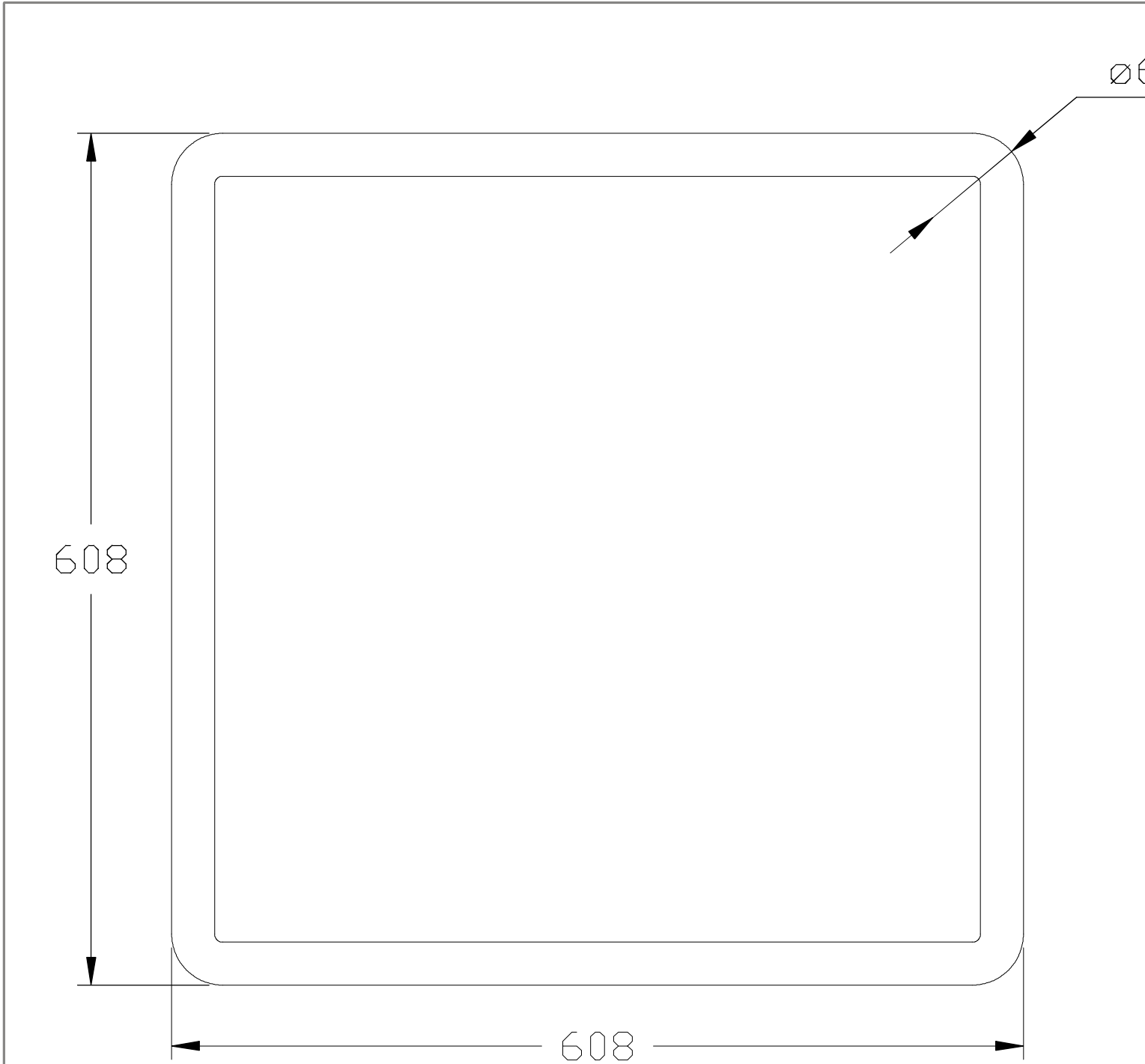
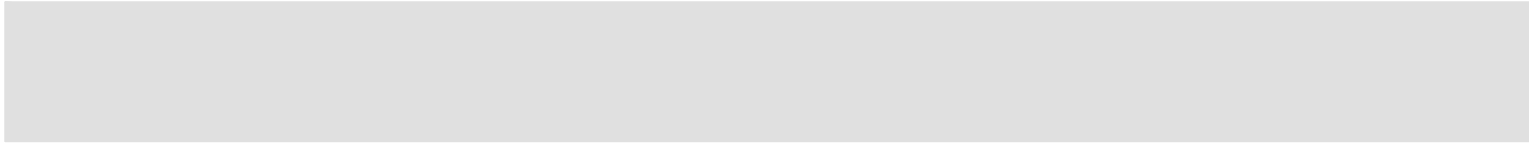
615mm x 615mm



C Halfplanes
 180.0 — 0.0
 270.0 — 90.0

ULOR 0.00 %
 DLOR 100.00 %
 RN 0.00 %



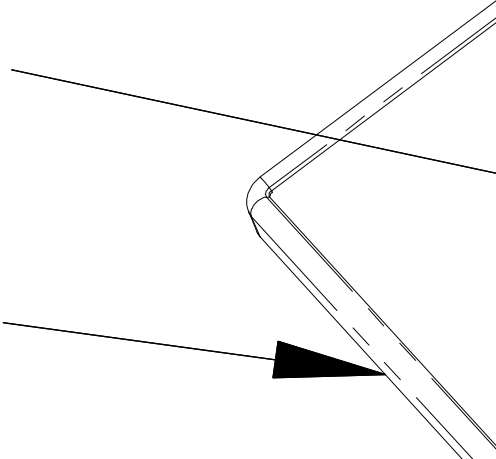


608

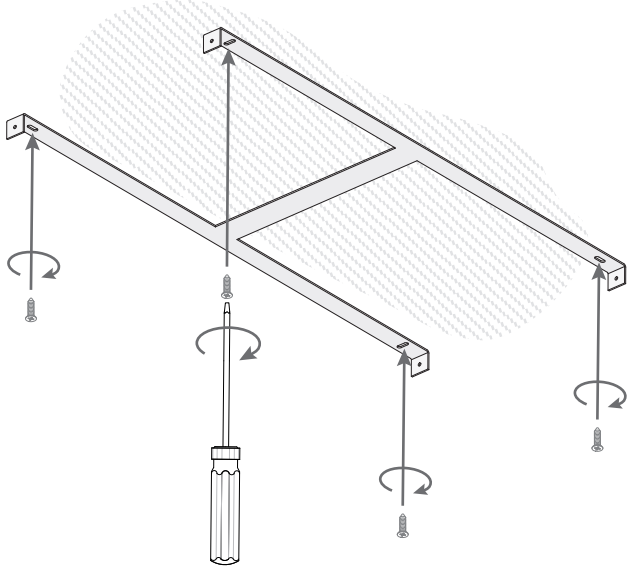
608

polystyrene /
poliestireno

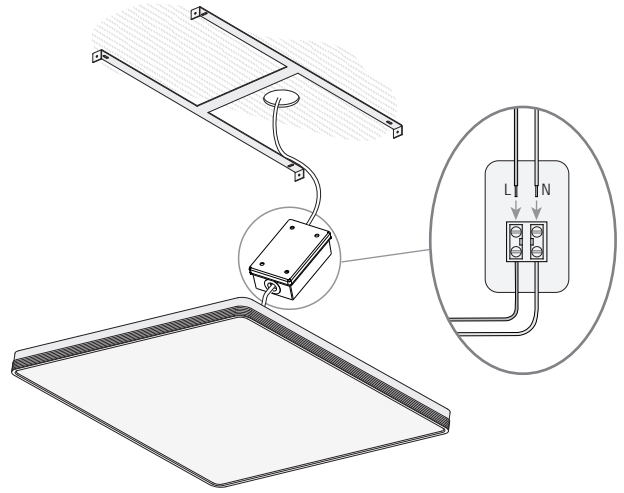
polyurethane /
poliuretano



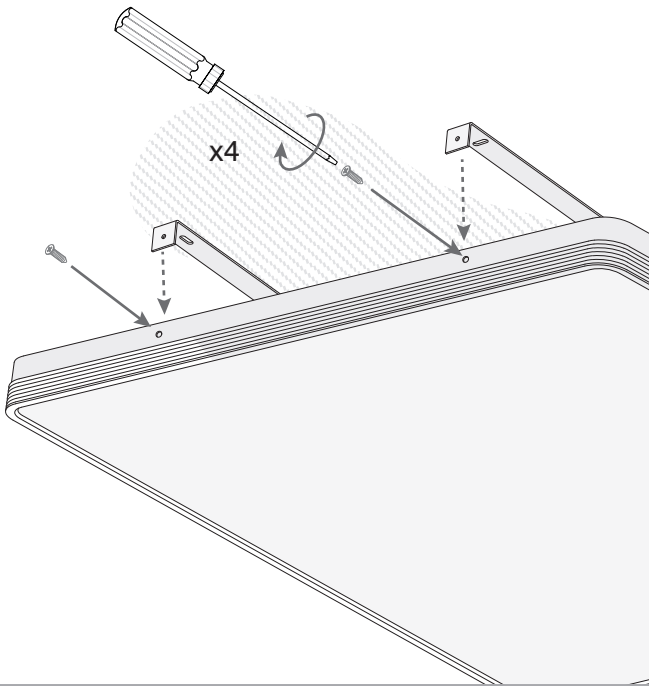
1



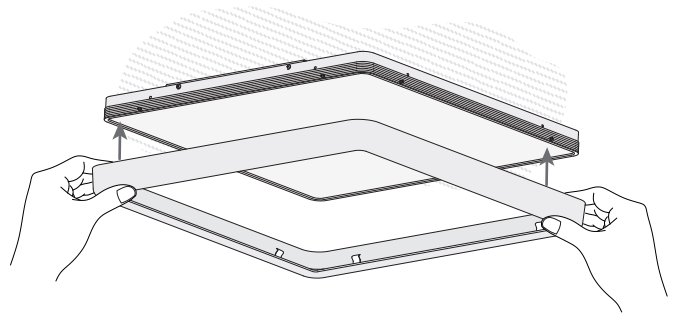
2



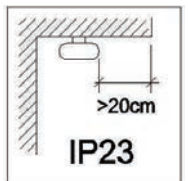
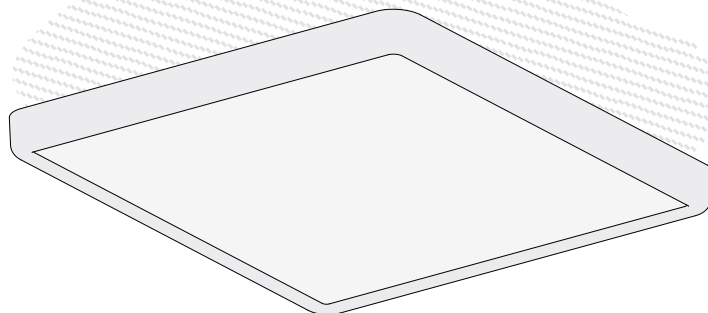
3



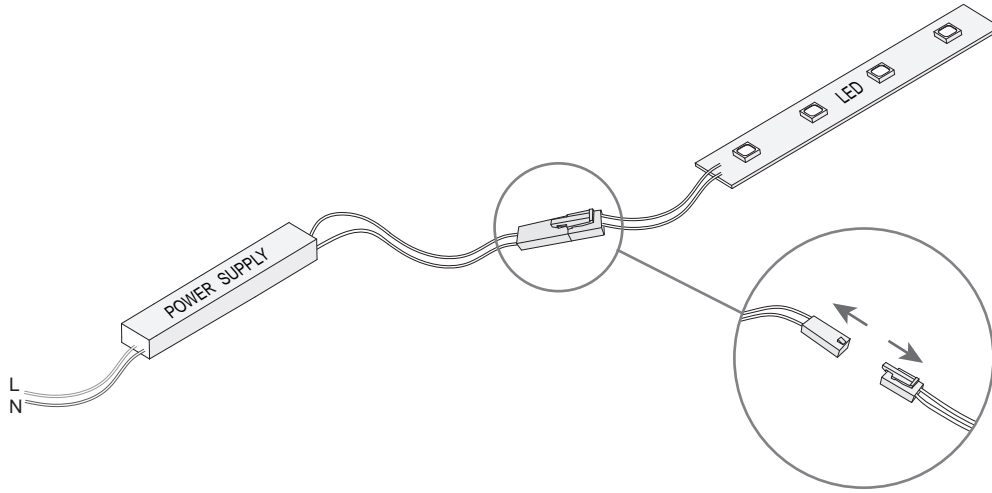
4



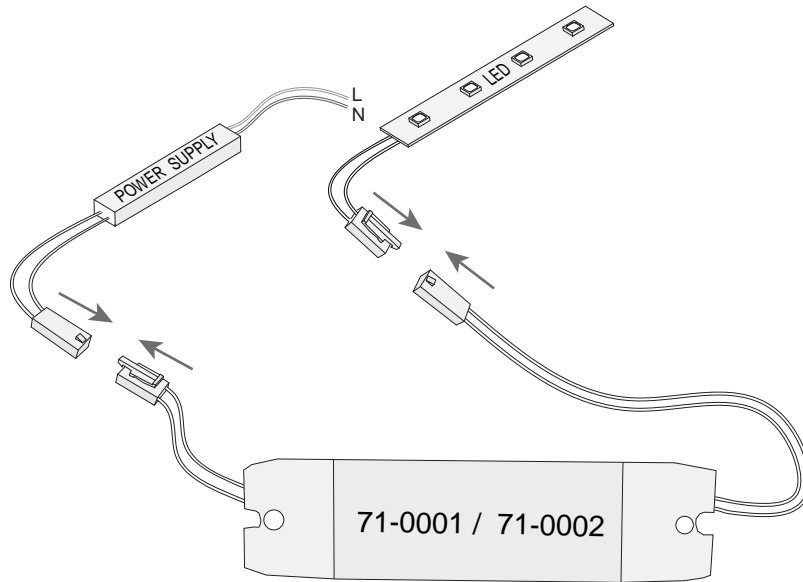
5



1



2



3

