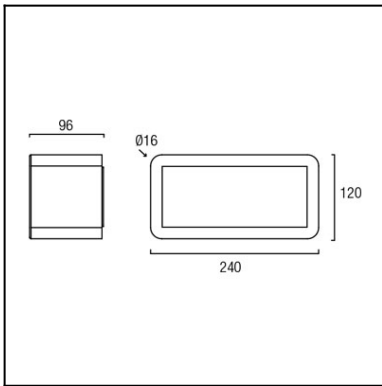
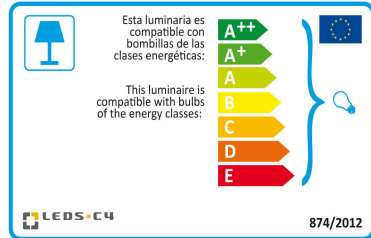


The photograph may not match the reference exactly. Please read the product description to identify the finish.



[Download photometric file .ldt /.ies](#)



[Click on image to download energy label](#)

TECHNICAL CHARACTERISTICS

Type:	Wall fixture
IP Protection degrees:	IP20
Light source 1:	1 x G24q2 18W
Voltage / Frequency:	220-240V/50-60Hz
Warranty (Years):	2
Units per box:	8
Net Weight (Kg):	0.985
EAN:	8435381400699



MATERIALS / FINISHES

Structure material:	Aluminium Steel	Diffuser material:	Polycarbonate
Structure finish:	Metallic grey	Diffuser finish:	Transparent

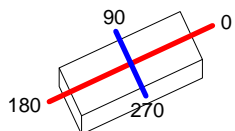
GEAR

Gear included: Yes, electronic

Luminaire		Measur.		Lamp		
Code	05-4717-03-M2	Code	05-4717-03-M2	Code	PL-C18W/840/4P	
Name	Aplique 18W TC-DEL dif. opal	Name	Aplique 18W TC-DEL dif. opal	Number	1	
Line	Eulumdat	Date	14-05-2013	Position		
Efficiency	40.80%	Coordinate system	CG	Total Flux	1200.00 lm	
Maximum value	100.74 cd	Position	C=0.00 G=0.00	Asymmetrical		
Rectangular Luminaire	Length	95 mm	Width	240 mm	Height	120 mm
Rectangular Luminous Area	Length	95 mm	Width	240 mm	Height	120 mm
Horizontal Luminous Area	0.022800 m2	Emitting area on Plane 180°		0.011400 m2		
Emitting area on Plane 0°	0.011400 m2	Emitting area on Plane 270°		0.028800 m2		
Emitting area on Plane 90°	0.028800 m2	Glare area at 76°		0.016577 m2		
Symmetry Type	Asymmetrical	Maximum Gamma Angle		180		
Measurement Distance	0.00	Measurement Flux		1200.00 lm		
Operator	Asselum T2	Source voltage				
Temperature	25.00 °C	Source current				
Humidity	60.00 %	Photocell				
Notes						

Luminaire Lamps					
Line	Code	Name	Flux [lm]	Pow. [W]	Q.ty
Eulumdat	PL-C18W/840/4P	PL-C18W/840/4P - 18.00 W	1200.00	18.00	1
C.I.E.	50 80 95 50 41	D DIN 5040			
F UTE	0.20 D + 0.20 T	B NBN	C31	BZ 4	

95mm x 240mm



C Halfplanes

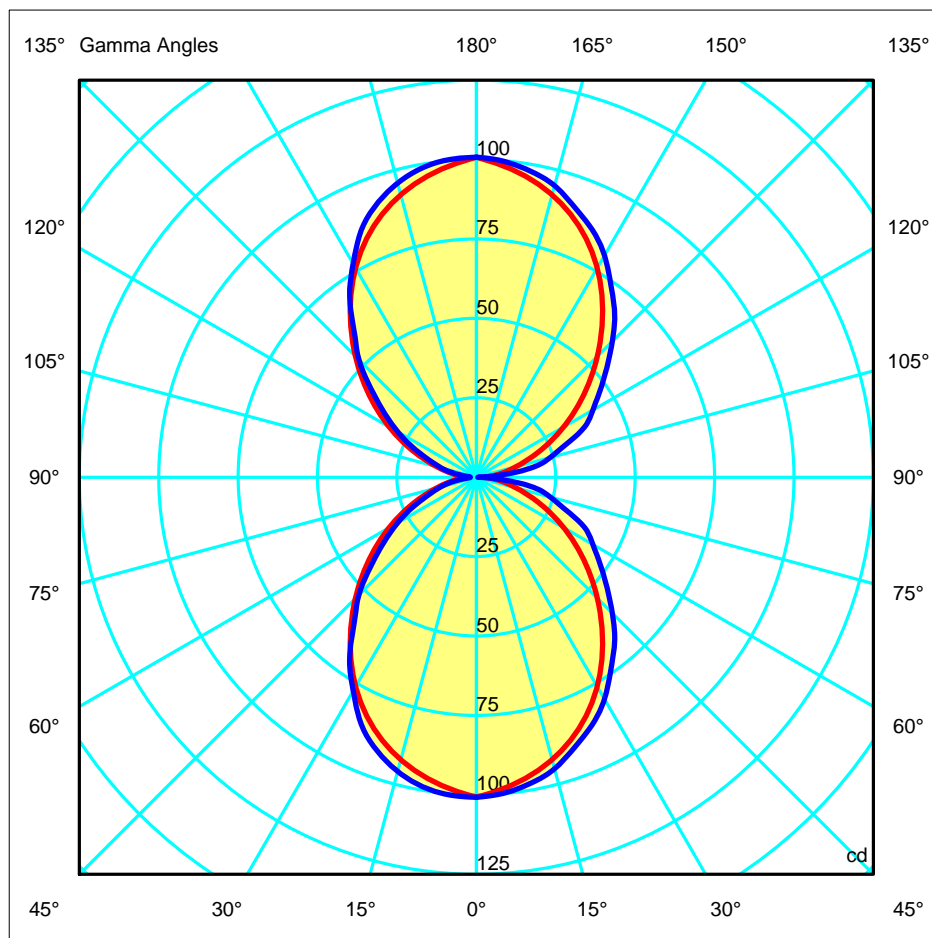
180.0 — 0.0 (Red line)

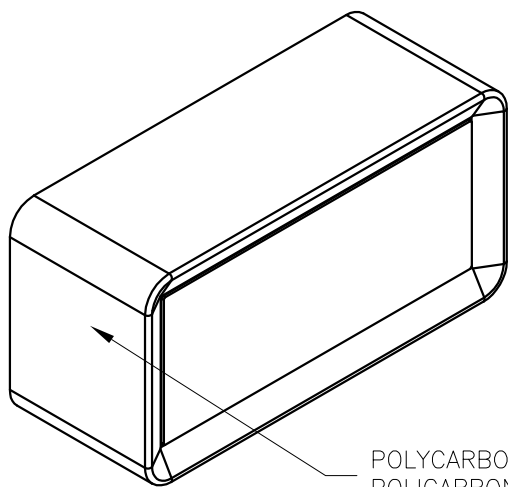
270.0 — 90.0 (Blue line)

ULOR 20.40 %

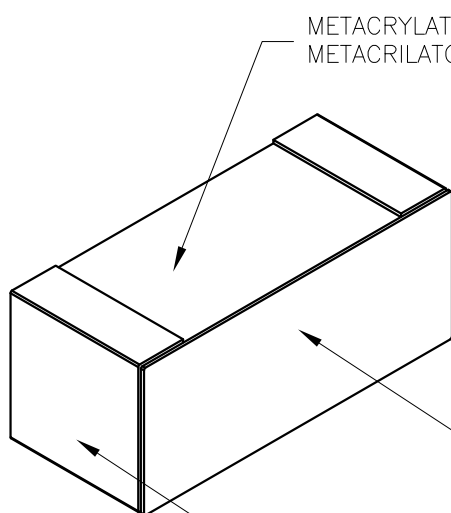
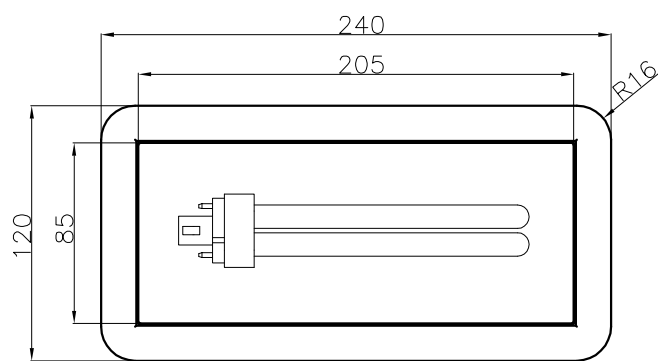
DLOR 20.40 %

RN 50.00 %

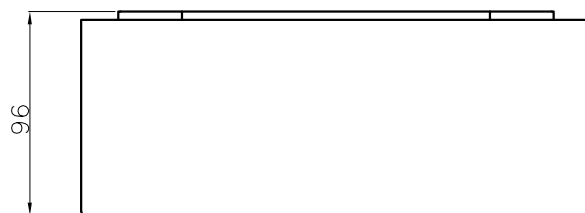




POLYCARBONATE/
POLICARBONATO

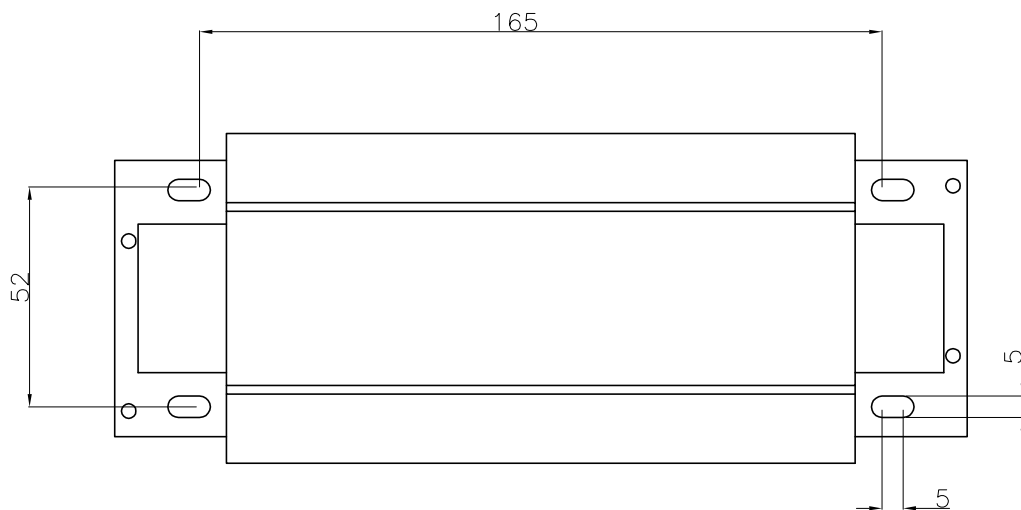


METACRYLATE/
METACRILATO

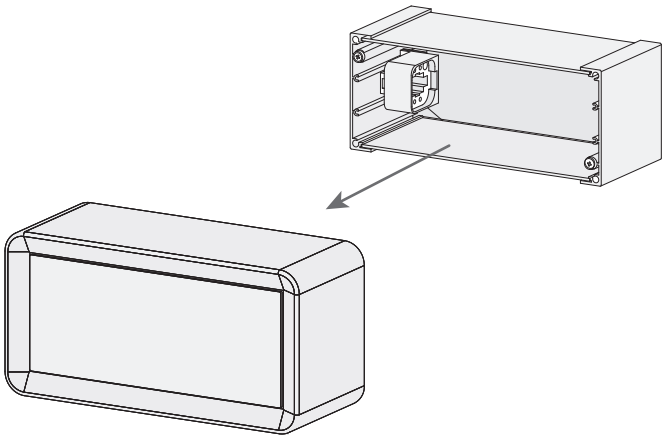


IRON / HIERRO

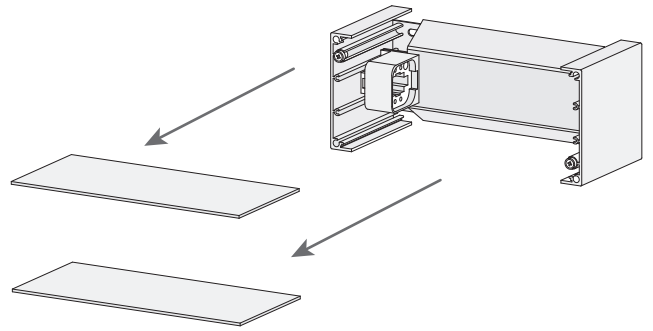
ALUMINIUM/
ALUMINIO



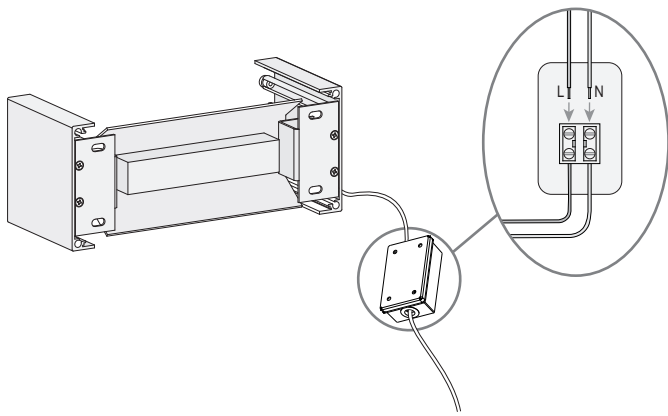
1



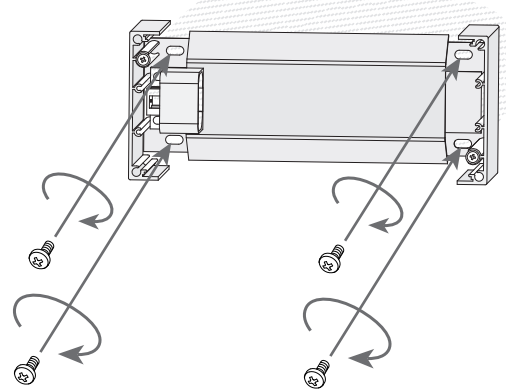
2



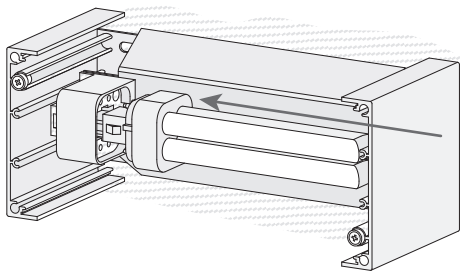
3



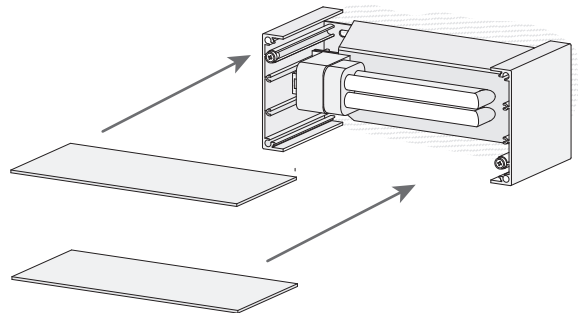
4



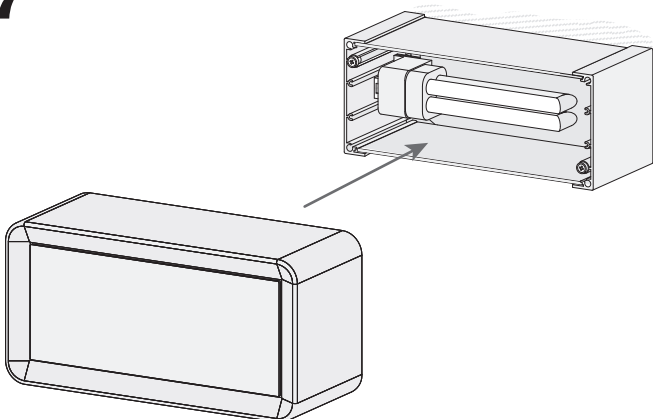
5



6



7



8

