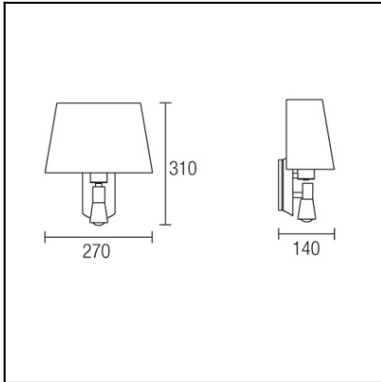




The photograph may not match the reference exactly. Please read the product description to identify the finish.



TECHNICAL CHARACTERISTICS

Type:	Wall fixture
IP Protection degrees:	IP20
Light source 1:	1 x LED Cree 3W Warm White - 3000K 182 lm ^(N) CRI 80
Light source 2:	1 x E27 60W Maximum lamp length: 150.00 mm
Angle of the optics / Reflector:	30°
Voltage / Frequency:	100-240V/50-60Hz
Warranty (Years):	2
Option to extend the guarantee (Years):	5
Units per box:	6
Net Weight (Kg):	0.98
EAN:	8435111066010



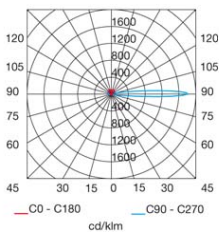
MATERIALS / FINISHES

Structure material:	Steel	Diffuser material:	Fabric shade
Structure finish:	Satin nickel	Diffuser finish:	Black

GEAR

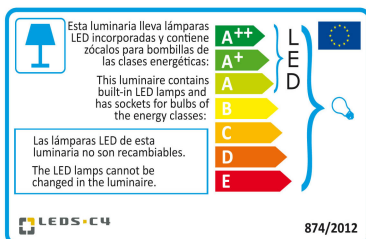
Multi-voltage electronic gear included (110-240 V / 50-60 Hz)

E-27 60W + led 3W



$\eta = 83,85\%$

Download photometric file .ldt / .ies



Click on image to download energy label

Lm^(N): Nominal flow of light in actual working conditions. Its actual flow will depend on the environmental conditions and the efficiency of the optics and/or diffuser.

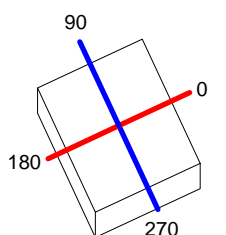
LEDS-C4 reserves the right to make the necessary technical changes they deem adequate, in order to improve the features of the product.

Please consult the sales team to clarify any doubt.

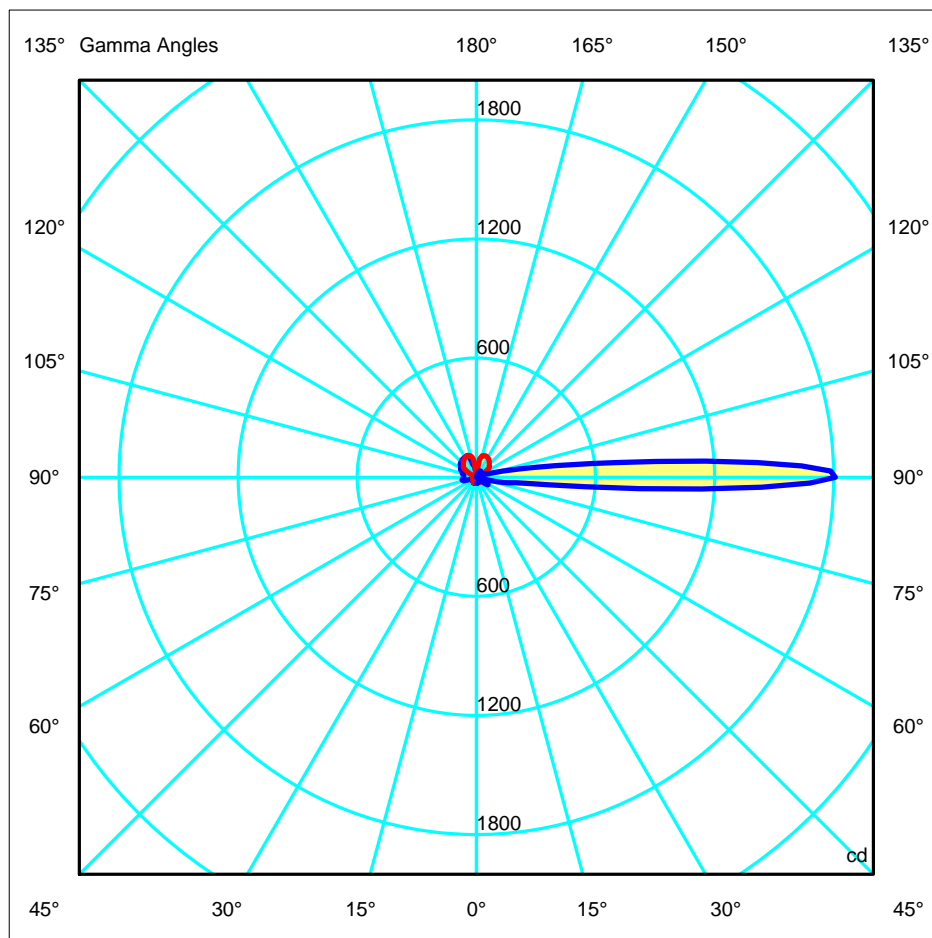
Luminaire		Measur.		Lamp		
Code	05-2814-81-05	Code	05-2814-81-05	Code	-	
Name	Aplique BALMORAL 60W E27 + led	Name	Aplique BALMORAL 60W E27 + led	Number	2	
Line	Eulumdat	Date	12-04-2010	Position		
Efficiency	83.85%	Coordinate system	CG	Total Flux	814.00 lm	
Maximum value	1807.98 cd	Position	C=90.00 G=90.00	Sym. on planes	270-90	
Rectangular Luminaire	Length	320 mm	Width	270 mm	Height	130 mm
Rectangular Luminous Area	Length	320 mm	Width	270 mm	Height	130 mm
Horizontal Luminous Area	0.086400 m2	Emitting area on Plane 180°	0.041600 m2			
Emitting area on Plane 0°	0.041600 m2	Emitting area on Plane 270°	0.035100 m2			
Emitting area on Plane 90°	0.035100 m2	Glare area at 76°	0.061266 m2			
Symmetry Type	Sym. on planes 270-90	Maximum Gamma Angle	180			
Measurement Distance	0.00	Measurement Flux	814.00 lm			
Operator	Asselum	Source voltage				
Temperature	25.00 °C	Source current				
Humidity	60.00 %	Photocell				
Notes						

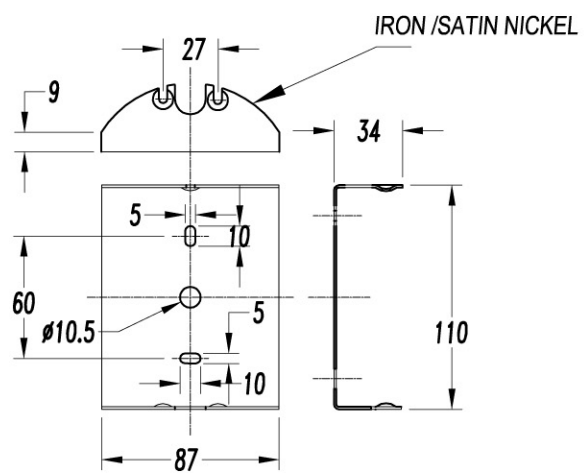
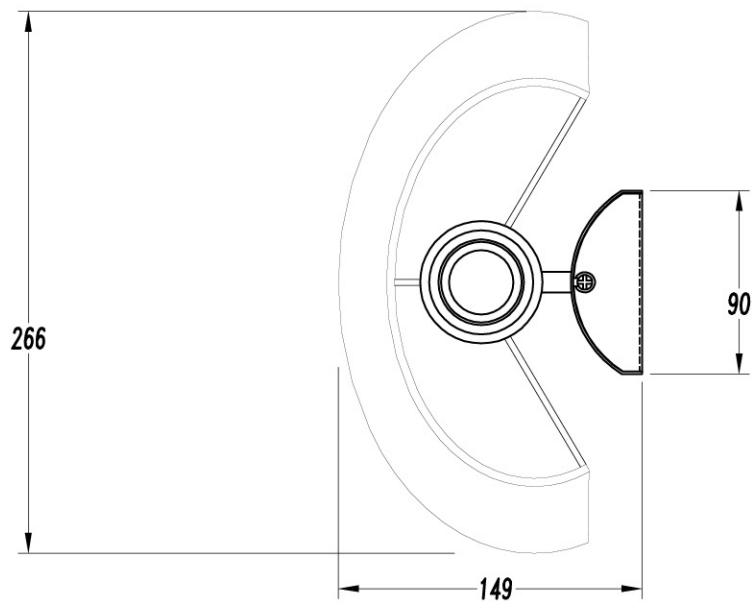
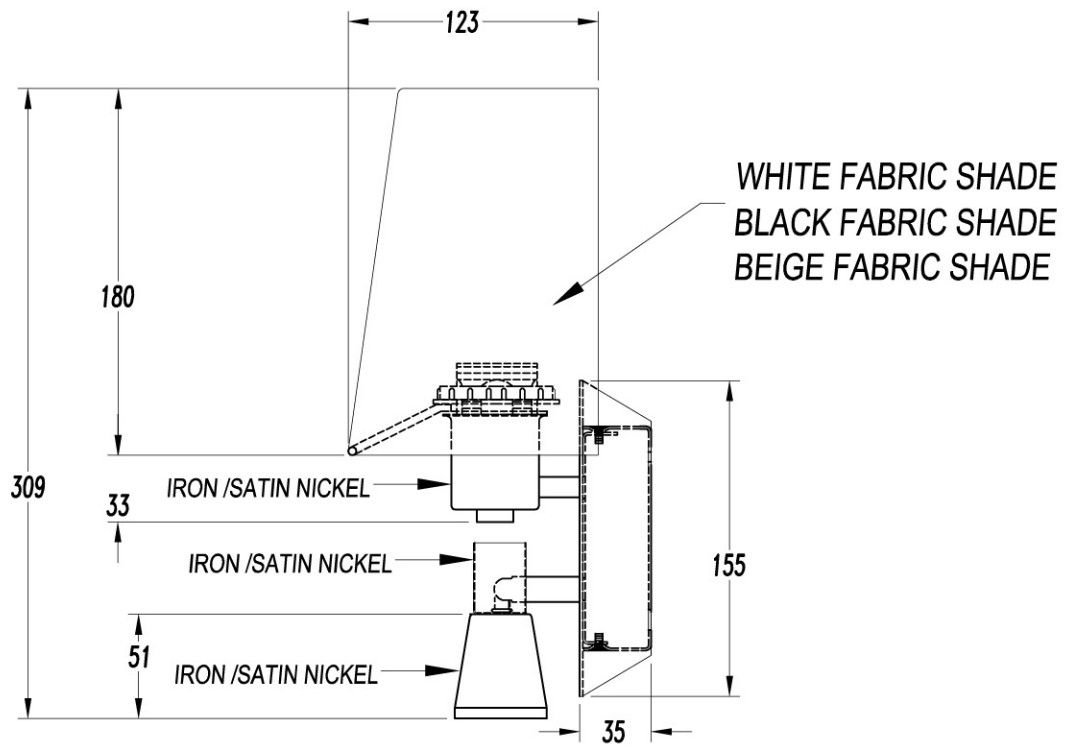
Line		Code		Luminaire Lamps		Flux [lm]	Pow. [W]	Q.ty
Eulumdat		-		Name				
				-- 31.50 W				
C.I.E.	19 38 58 33 84			D DIN 5040	D12	407.00	31.50	2
F UTE	0.28 J + 0.56 T			B NBN	BZ 9 / 1 / BZ 10			

320mm x 270mm



ULOR 55.77 %
 DLOR 28.08 %
 RN 66.51 %







LEDS • C4

