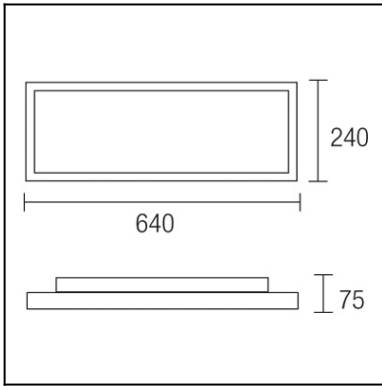




The photograph may not match the reference exactly. Please read the product description to identify the finish.



## TECHNICAL CHARACTERISTICS

Type:	Ceiling fixture
IP Protection degrees:	IP23
Light source 1:	2 x 2G11 40W
Total power consumption (W):	77.5
Voltage / Frequency:	220-240V/50-60Hz
Warranty (Years):	2
Units per box:	2
Net Weight (Kg):	3.12
EAN:	8435111041307



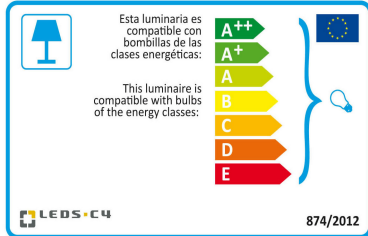
## MATERIALS / FINISHES

<b>Structure material:</b>	Satin aluminium	<b>Diffuser material:</b>	Polycarbonate
<b>Structure finish:</b>	Polished	<b>Diffuser finish:</b>	Matt opal

## GEAR

Gear included: Yes, electronic

[Download photometric file .ldt / .ies](#)

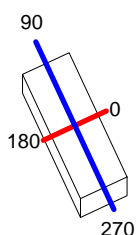


[Click on image to download energy label](#)

<b>Luminaire</b>		<b>Measur.</b>		<b>Lamp</b>		
Code	434-AL	Code	434-AL	Code	PL-L40W/840/4P	
Name	Plafón TOLEDO 2x40W 2G11 opal	Name	Plafón TOLEDO 2x40W 2G11 opal	Number	2	
Line	Eulumdat	Date	22-02-1970	Position		
Efficiency	32.76%	Coordinate system	CG	Total Flux	7000.00 lm	
Maximum value	802.13 cd	Position	C=0.00 G=0.00	Double Symmetrical		
Rectangular Luminaire	Length	640 mm	Width	240 mm	Height	75 mm
Rectangular Luminous Area	Length	612 mm	Width	212 mm	Height	1 mm
Horizontal Luminous Area	0.129744 m2	Emitting area on Plane 180°		0.000612 m2		
Emitting area on Plane 0°	0.000612 m2	Emitting area on Plane 270°		0.000212 m2		
Emitting area on Plane 90°	0.000212 m2	Glare area at 76°		0.031982 m2		
Symmetry Type	Double Symmetrical	Maximum Gamma Angle		180		
Measurement Distance	0.00	Measurement Flux		7000.00 lm		
Operator		Source voltage				
Temperature	25.00 °C	Source current				
Humidity	60.00 %	Photocell				
Notes						

Luminaire Lamps						
Line	Code	Name	Flux [lm]	Pow. [W]	Q.ty	
Eulumdat	PL-L40W/840/4P	PL-L40W/840/4P - 40.00 W	3500.00	40.00	2	
C.I.E.	47 78 95 100 33	D DIN 5040	A30			
F UTE	0.33 E	B NBN	BZ 5			

640mm x 240mm



**C Halfplanes**

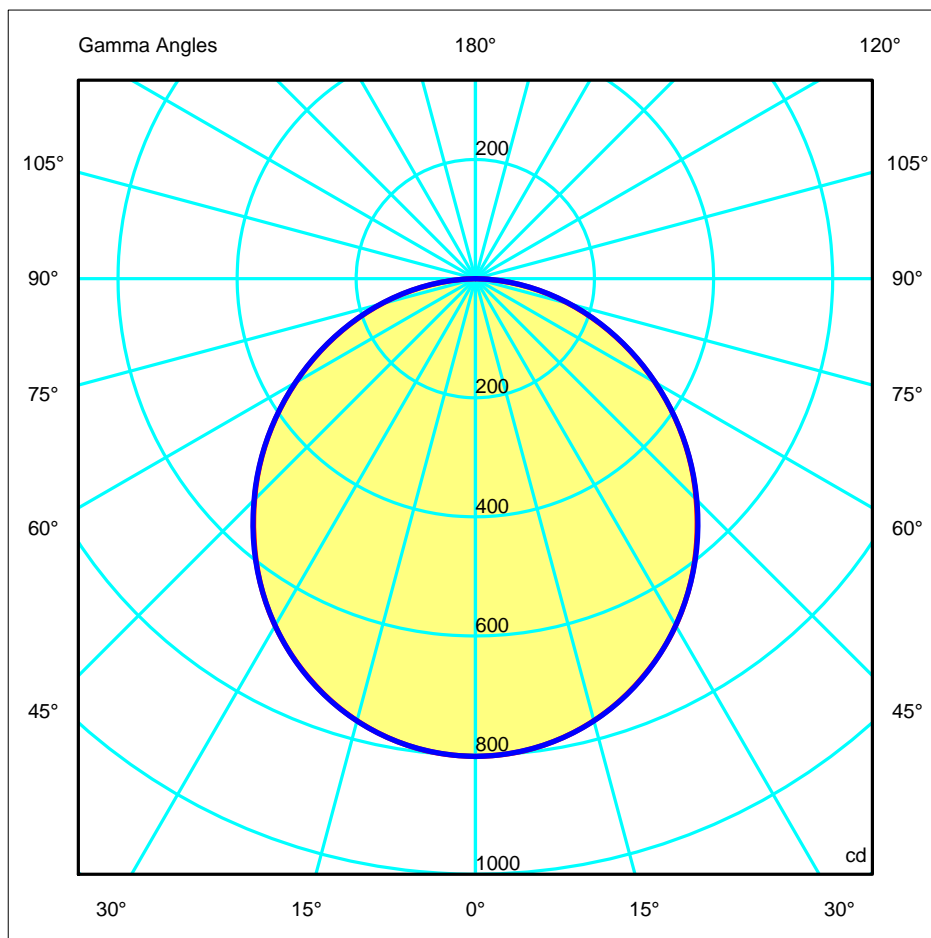
180.0 — 0.0

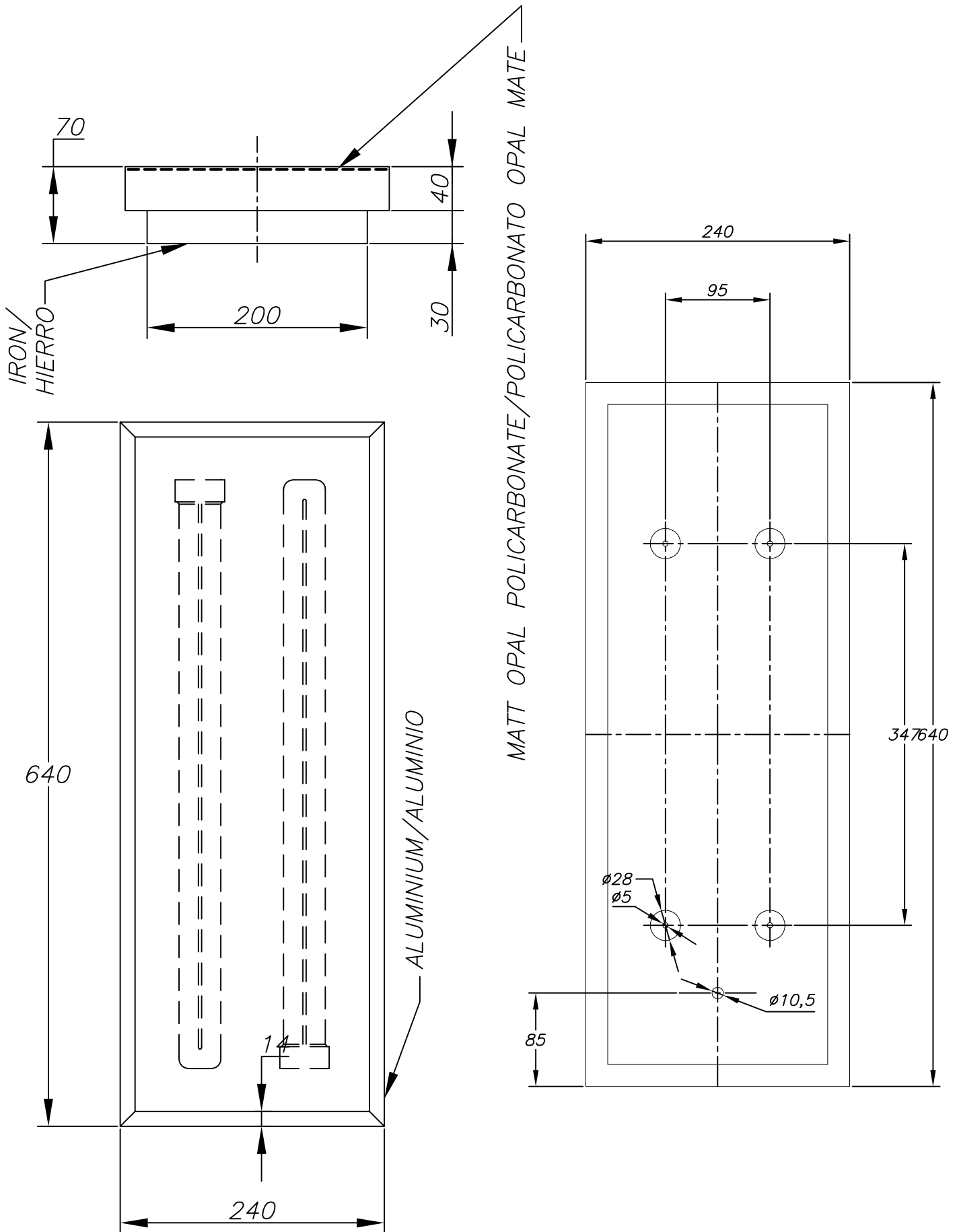
270.0 — 90.0

ULOR 0.00 %

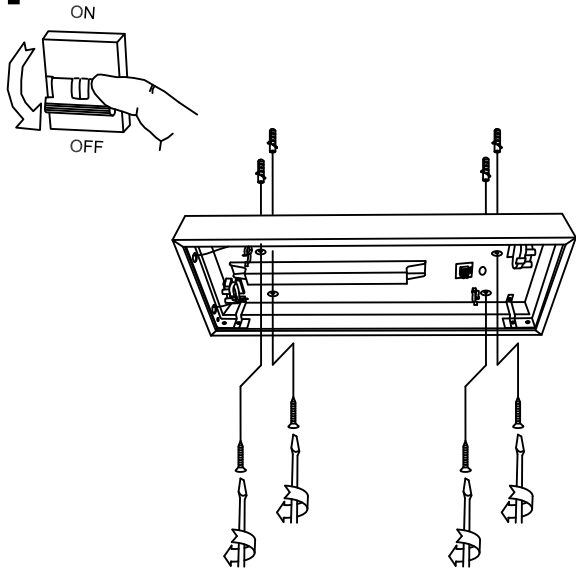
DLOR 32.76 %

RN 0.00 %

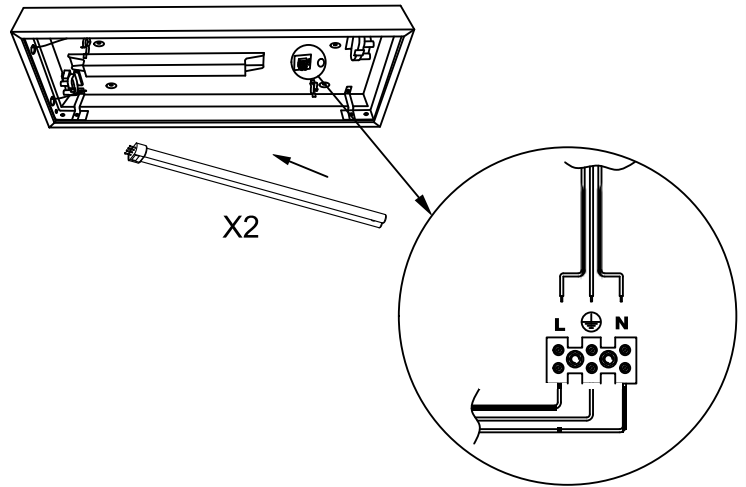




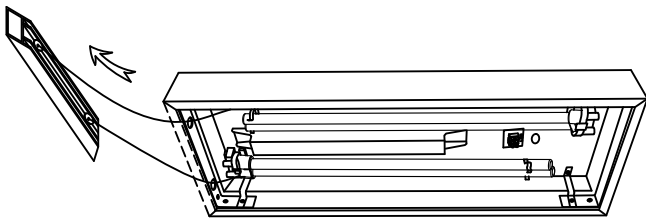
**1**



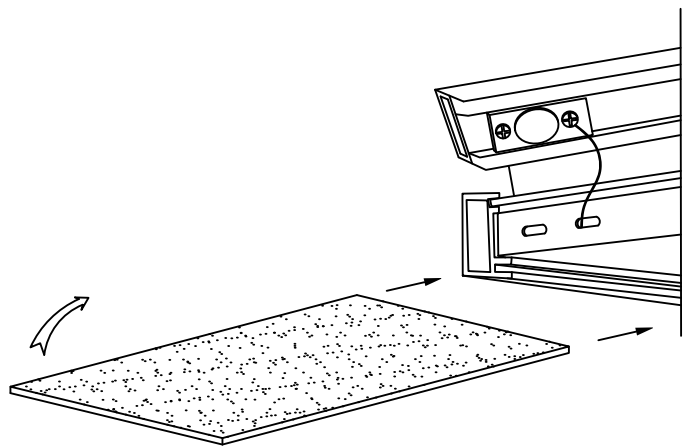
**2**



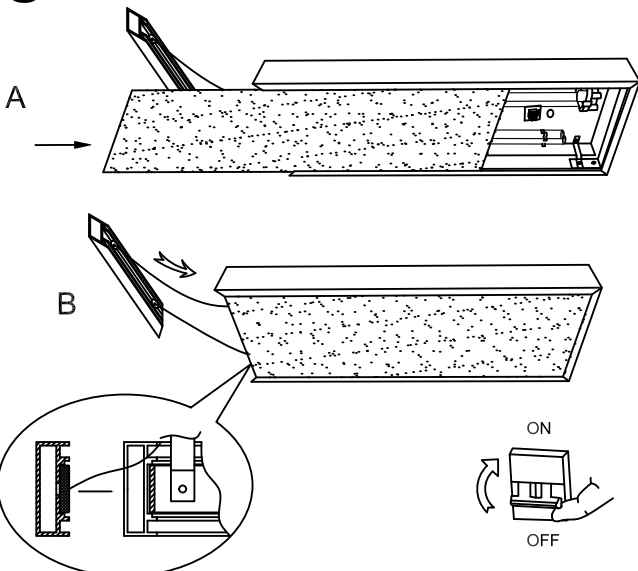
**3**



**4**



**5**



**6**

